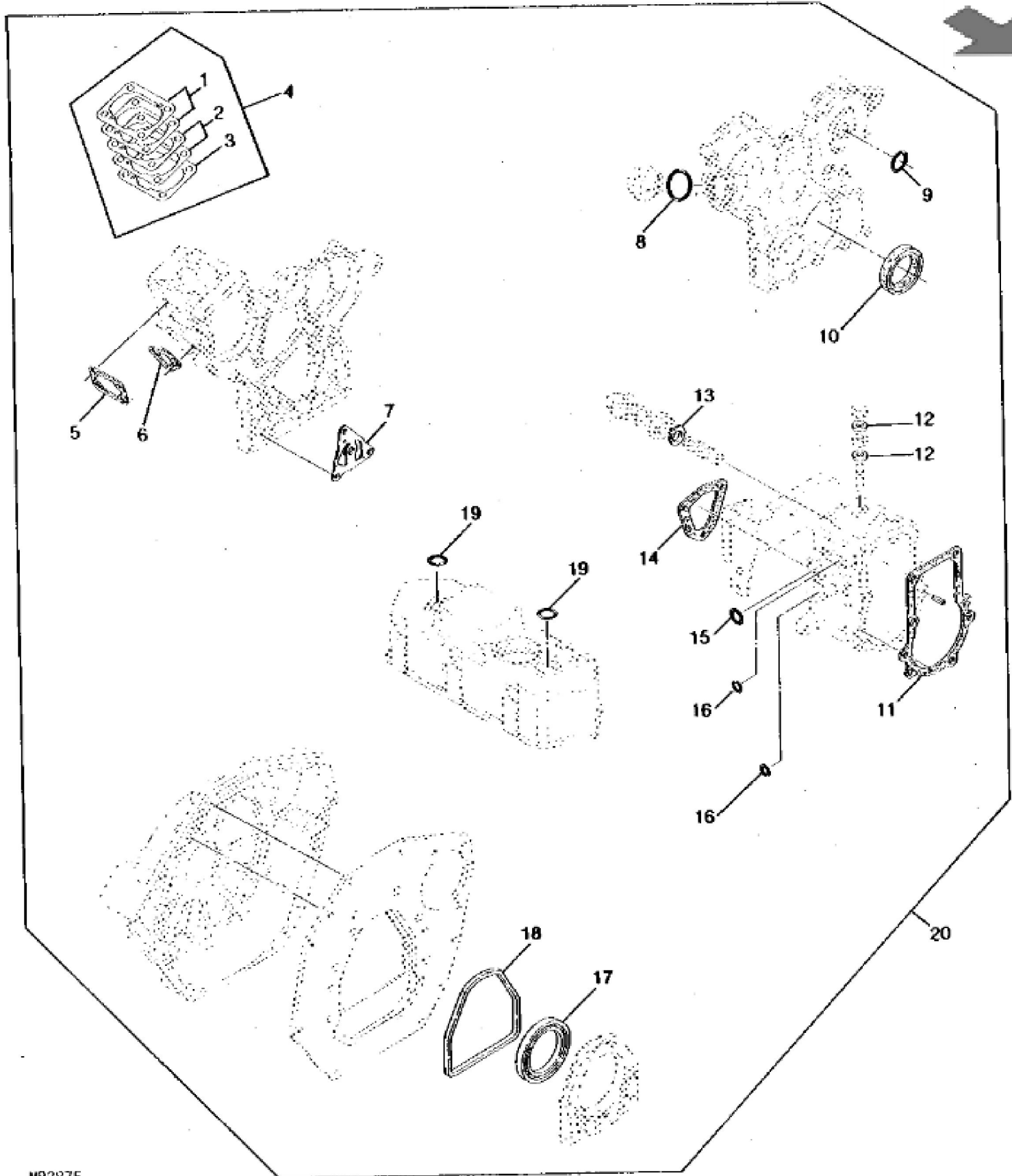


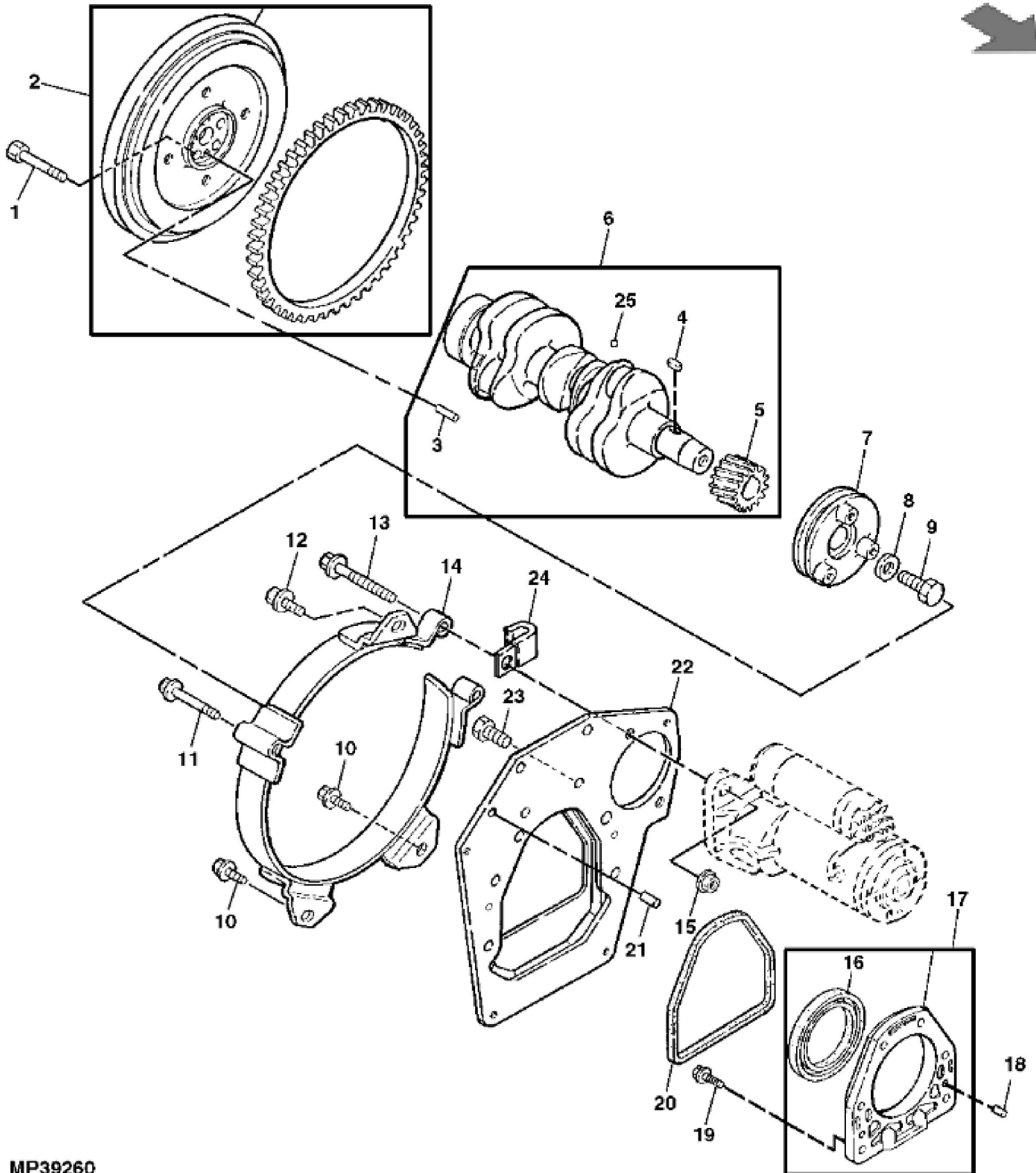
MP4526

KEY	PART NO.	PART NAME	QTY	Engine Serial No.	REMARKS
1	M87810	FLANGE	1		
2	19M7774	SCREW	2		M6 X 12
3	CH10568	PACKING	2		
4	30M7023	PLUG	2		(SUB FOR CH10642)
5	M806843	PLUG	1		STEEL (SUB FOR CH10640)
6	CH17101	PLUG	4		
7	M800013	BUSHING	1		CAMSHAFT
8	M800006	DOWEL PIN	2		
9	M800002	PLUG	2		
10	M89140	SHAFT	1		IDLE GEAR
11	19M7774	SCREW	3		M6 X 12
12	M89139	PLATE	1		IDLE GEAR SHAFT
13	40M7080	SNAP RING	1		(SUB FOR CH16769)
14	AM875059	BEARING KIT	4		STD
14	AM875026	BEARING KIT	4		.25MM (.01") US
15	M800012	BOLT	8		
16	M89143	GUIDE	1		DIPSTICK
17	CH10571	PACKING	1		
18	AM875060	BEARING KIT	2		
19	CH15478	PLUG	1		
20	CH10314	PLUG	2		
21	AM100800	DRAIN VALVE	1		
22	M802254	PIN	1		(SUB FOR M87808)
23	M802255	PIN	1		(SUB FOR CH10534)
24	M809526	SWITCH	1		OIL PRESSURE (SUB FOR CH15500)
25	AM875018	CYLINDER BLOCK	1		KIT (OIL PRESSURE SWITCH NO LONGER INCLUDED)
26	M800420	DIPSTICK	1		
27	M800045	GUIDE	1		
28	19M7300	CAP SCREW	1		M6 X 10
..	AM101973	DIESEL ENGINE	1	007123-_____	(INCLUDES AM101977 MUFFLER) (SUB FOR AM103255) (SUB AM875017)
..	AM875017	SHORT BLOCK ASSEMBLY	1		



John Deere > Turf And Utility >TRACTOR, COMPACT UTILITY >856 - TRACTOR, COMPACT UTILITY >655, 755, 756, 855 and 856 Compact Utility Tractors >20 ENGINE >ST716826 - CYLINDER BLOCK GASKET KIT (655)

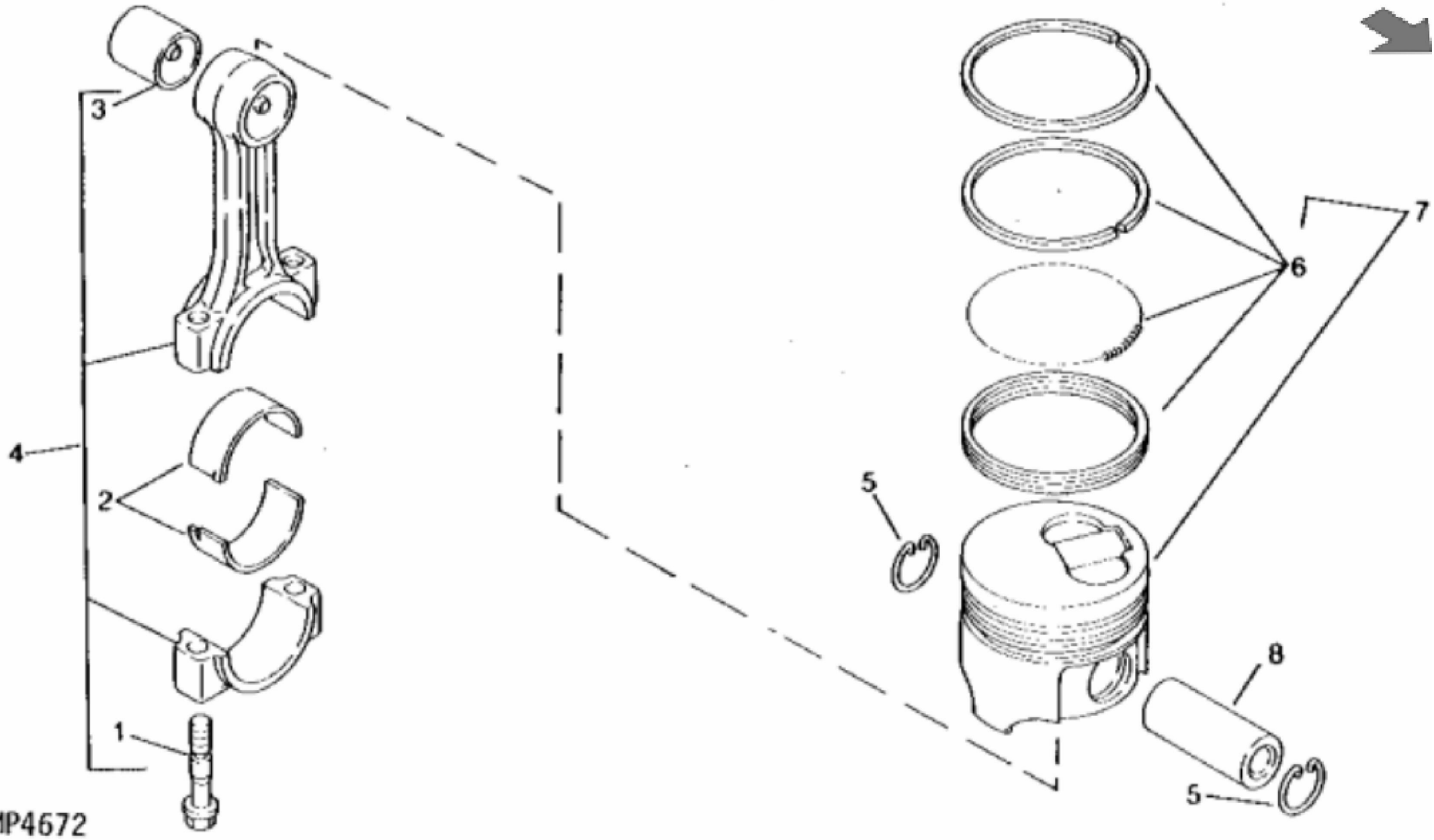
KEY	PART NO.	PART NAME	QTY	REMARKS
1	.....	SHIM	2	.2MM, (SUB AM100747)
2	.....	SHIM	2	.3MM, (SUB AM100747)
3	.....	SHIM	1	.5MM, (SUB AM100747)
4	AM100747	SHIM	1	KIT (INCLUDES (2) .2 MM (.008) (2) .3 MM (.012) AND (1) .5 MM (.020) SHIMS)
5	M805695	GASKET	1	(SUB FOR M89123)
6	M805703	GASKET	1	(SUB FOR CH15378) TRANSFER PUMP OPENING
7	M89142	GASKET	1	OIL PUMP
8	CH15414	PACKING	1	
9	CH15595	O-RING	1	
10	M811563	SEAL	1	(SUB FOR M87821)
11	M805704	GASKET	1	(SUB FOR M89153)
12	M87851	WASHER	2	(SUB FOR CH10644)
13	M806438	WASHER	1	(SUB FOR CH15385)
14	M805705	GASKET	1	(SUB FOR M89155)
15	CH10571	PACKING	2	
16	M89151	O-RING	2	
17	M801941	SEAL	1	(SUB FOR M87809)
18	M87849	SEAL	1	
19	CH10568	PACKING	2	
20	AM876063	GASKET KIT	1	BLOCK (SUB FOR AM875036)



MP39260

John Deere > Turf And Utility >TRACTOR, COMPACT UTILITY >856 - TRACTOR, COMPACT UTILITY >655, 755, 756, 855 and 856 Compact Utility Tractors >20 ENGINE >ST716827 - CRANKSHAFT, FLYWHEEL AND MOUNTING FLANGE (655)

KEY	PART NO.	PART NAME	QTY	Engine Serial No.	REMARKS
1	M87887	BOLT	5		
2	AM875297	FLYWHEEL	1		NLA
3	M802255	PIN	1		(SUB FOR CH10534)
4	M87812	SHAFT KEY	1		
5	M800039	GEAR	1		
6	AM875020	CRANKSHAFT	1		
7	M800040	PULLEY	1		
8	M800308	WASHER	1		
9	M800075	BOLT	1		
10	M801820	BOLT	2		(SUB 19M7964, 12M7065 AND 24M7055)
11	19M7979	SCREW	1		M8 X 55, (SUB FOR CH19090)
12	M800011	BOLT	1		
13	M801809	BOLT	2		
14	M801819	COVER	1		
15	M88031	NUT	2		
16	M801941	SEAL	1		(SUB FOR M87809)
17	AM100720	CASE	1		CRANKSHAFT OIL SEAL
18	M802254	PIN	2		(SUB FOR M87808)
19	M87826	BOLT	6		
20	M87849	SEAL	1	____-021384	
21	M802255	PIN	2		(SUB FOR CH10534, THIS APPLICATION)
22	M802563	PLATE	1		(SUB FOR M800959)
23	M800011	BOLT	7		
24	R72853	CLAMP	1		
25	400R	BALL	3		



MP4672

Thank you so much for reading.  
Please click the “Buy Now!”  
button below to download the  
complete manual.



After you pay.

You can download the most  
perfect and complete manual in  
the world immediately.

Our support email:

[ebooklibonline@outlook.com](mailto:ebooklibonline@outlook.com)