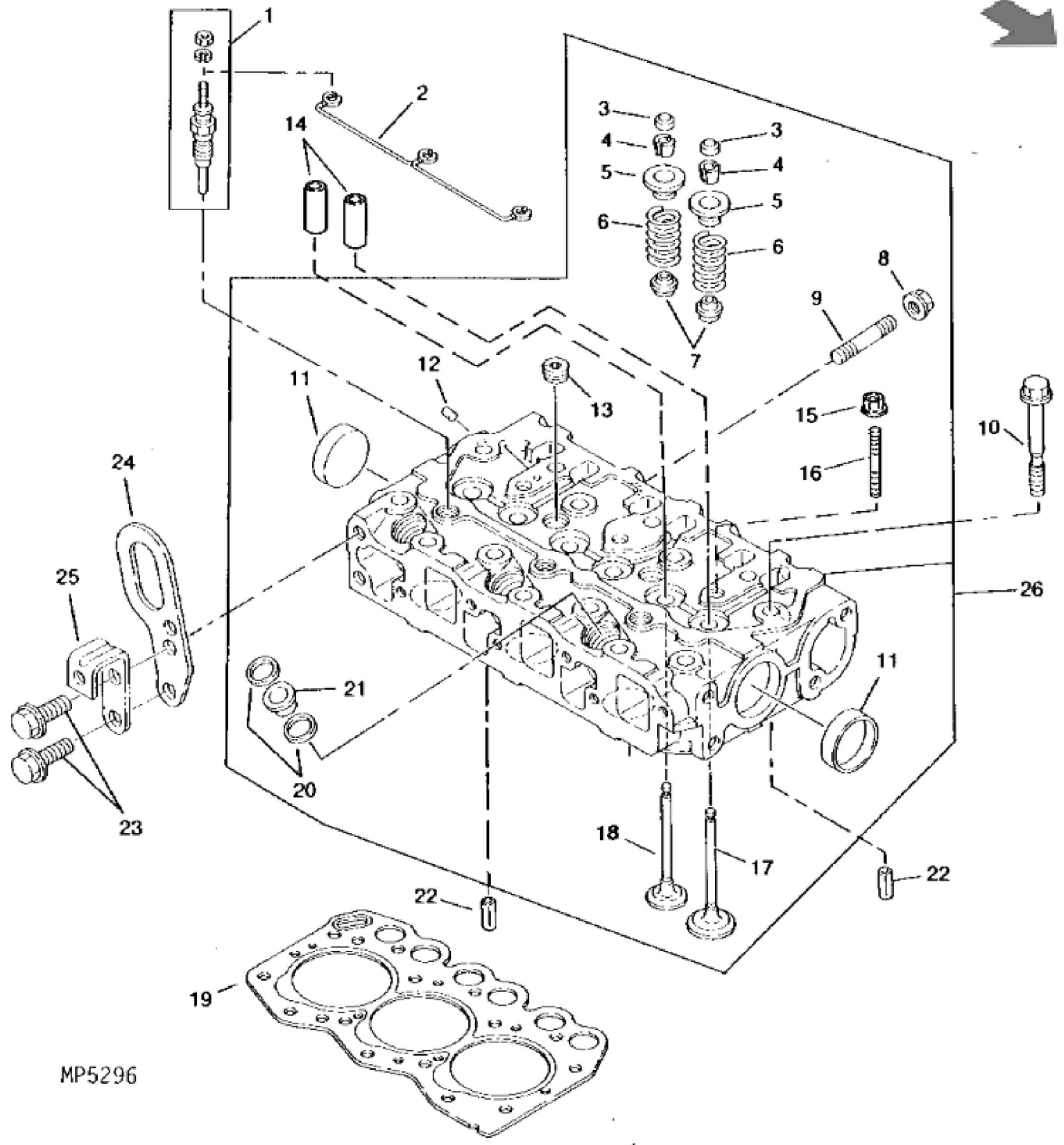


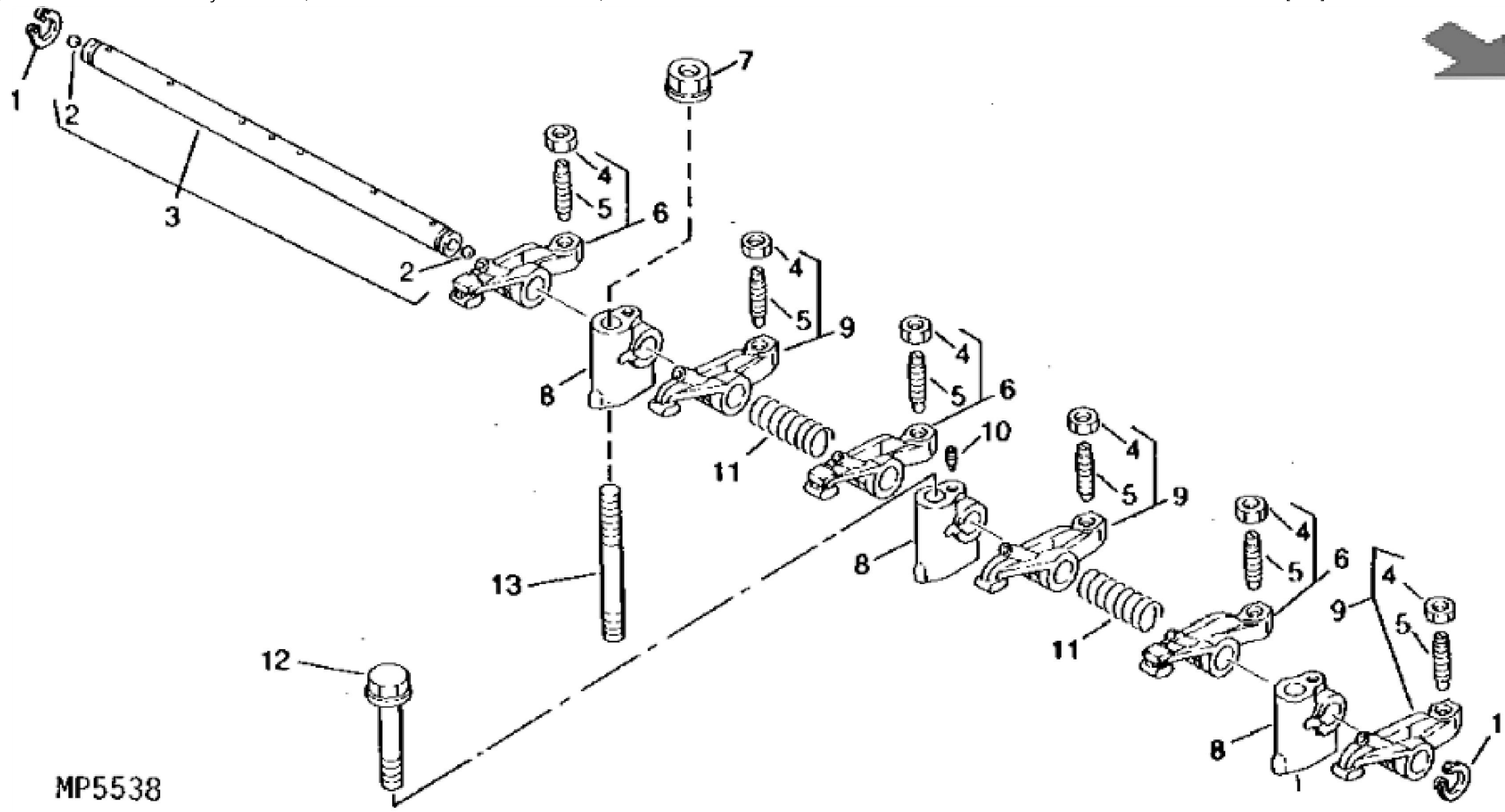
MP4526

KEY	PART NO.	PART NAME	QTY	REMARKS
1	M87810	FLANGE	1	
2	19M7774	SCREW	2	M6 X 12 HS, HEAD MARKED 10.9
3	CH10568	O-RING	2	
4	CH10642	PLUG	2	
5	CH10640	PLUG	1	
6	CH17101	PLUG	4	
7	M800013	BUSHING	1	CAMSHAFT
8	M800006	DOWEL PIN	2	
9	M800002	PLUG	2	
10	M89140	SHAFT	1	IDLE GEAR
11	19M7774	SCREW	3	M6 X 12 HS, HEAD MARKED 10.9
12	M89139	PLATE	1	
13	CH16769	SNAP RING	1	
14	AM875059	BEARING KIT	4	STANDARD
14	AM875026	BEARING KIT	4	.25MM (.009") OVERSIZE
15	M800012	BOLT	8	
16	M89143	GUIDE	1	
17	CH10571	PACKING	1	
18	AM875060	BEARING KIT	2	
19	CH15478	PLUG	1	
20	CH10314	PLUG	2	
21	AM100800	DRAIN VALVE	1	
22	M802254	PIN	1	(SUB FOR M87808)
23	CH10534	PIN	1	
24	CH15500	SWITCH	1	OIL PRESSURE
25	AM875018	CYLINDER BLOCK	1	KIT
26	M800420	DIPSTICK	1	(SUB FOR M87894)
27	M800045	GUIDE	1	
28	19M7300	CAP SCREW	1	M6 X 10
..	AM101263	GASOLINE ENGINE	1	NOT AVAILABLE (SUB AM103332 ENGINE)
..	AM103332	ENGINE	1	



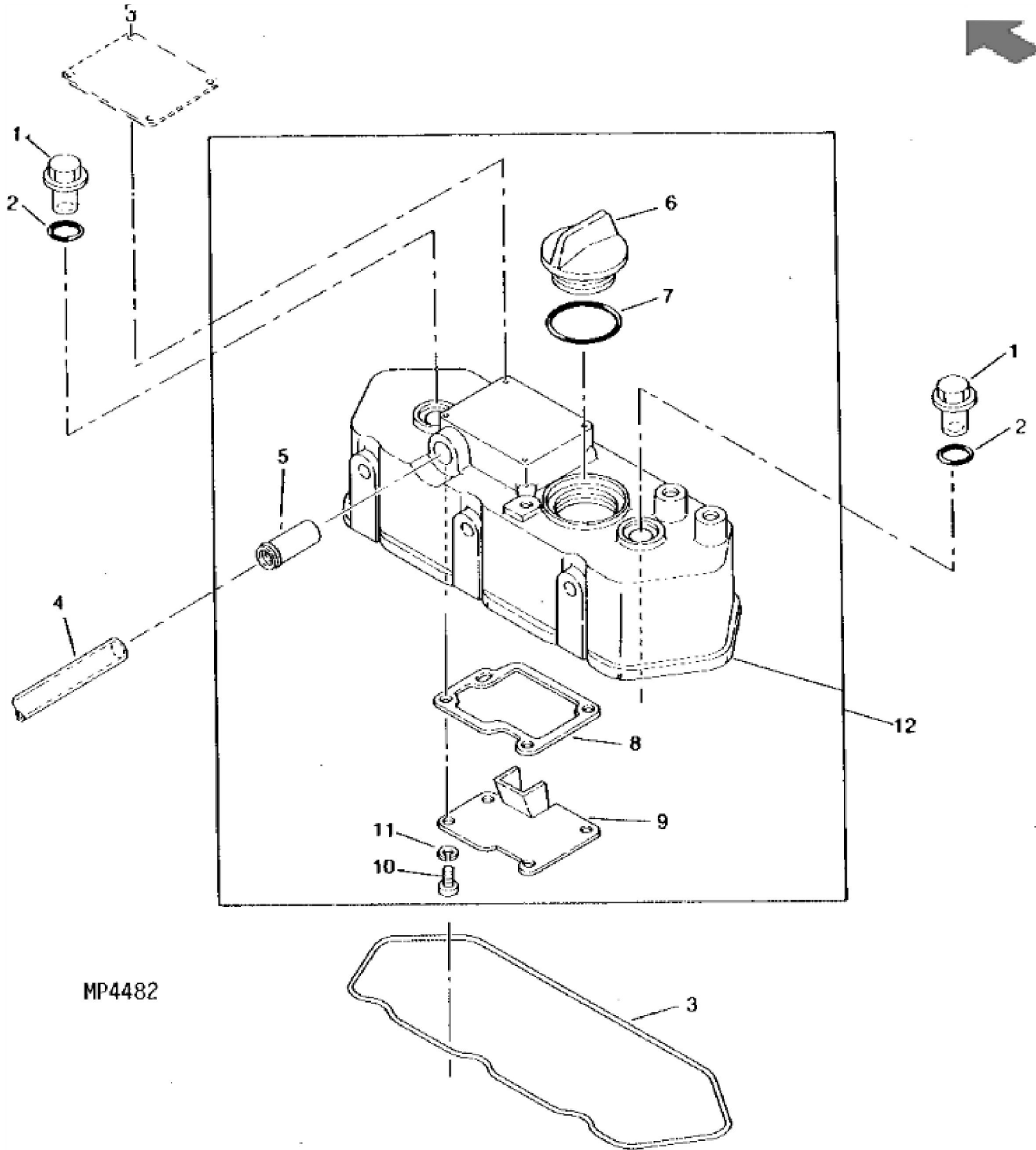
MP5296

KEY	PART NO.	PART NAME	QTY	REMARKS
1	M87919	GLOW PLUG	3	
2	M87920	ELECTRICAL CONNECTOR ASSY	1	
3	M800023	CAP	6	
4	M800021	RETAINER	12	
5	M800020	HOLDER	6	
6	M800019	SPRING	6	
7	M800022	SEAL	6	
8	14M7303	FLANGE NUT	2	M6, (SUB FOR M87828)
9	M800034	STUD	2	
10	M800003	BOLT	14	
11	CH17438	PLUG	2	
12	M87831	PLUG	1	
13	CH16747	PLUG	2	
14	M800067	GUIDE	6	
15	14M7298	FLANGE NUT	2	M8
16	M87836	STUD	2	ARM SUPPORT
17	M800017	INTAKE VALVE	3	
18	M800018	EXHAUST VALVE	3	
19	M801790	GASKET	1	CYLINDER HEAD
20	M89135	GASKET	6	
21	M89134	PACKING	3	
22	CH18079	SPRING PIN	2	
23	19M7865	SCREW	2	M8 X 16
24	M800066	BRACKET	1	LIFT
25	M802216	BRACKET	1	FUEL FILTER
26	AM875030	CYLINDER HEAD	1	(SUB FOR AM875561)



MP5538

KEY	PART NO.	PART NAME	QTY	REMARKS	
1	CH17950	RING	2		
2	R63075	BALL	2	(SUB FOR CH18341)	
3	AM875002	ROCKER ARM SHAFT	1		
4	14M7194	NUT	6	M6	
5	M87841	SCREW	6		
6	AM875029	ROCKER ARM	3	EXHAUST	
7	14M7298	FLANGE NUT	2	M8	
8	M800024	SUPPORT	3		
9	AM875028	ROCKER ARM	3	INTAKE	
10	M800069	SELF-LOCKING SCREW	1		
11	M800025	SPRING	2		
12	CH19101	BOLT	1		
13	M87836	STUD	2		



MP4482

Thank you so much for reading.
Please click the “Buy Now!”
button below to download the
complete manual.



After you pay.

You can download the most
perfect and complete manual in
the world immediately.

Our support email:

ebooklibonline@outlook.com