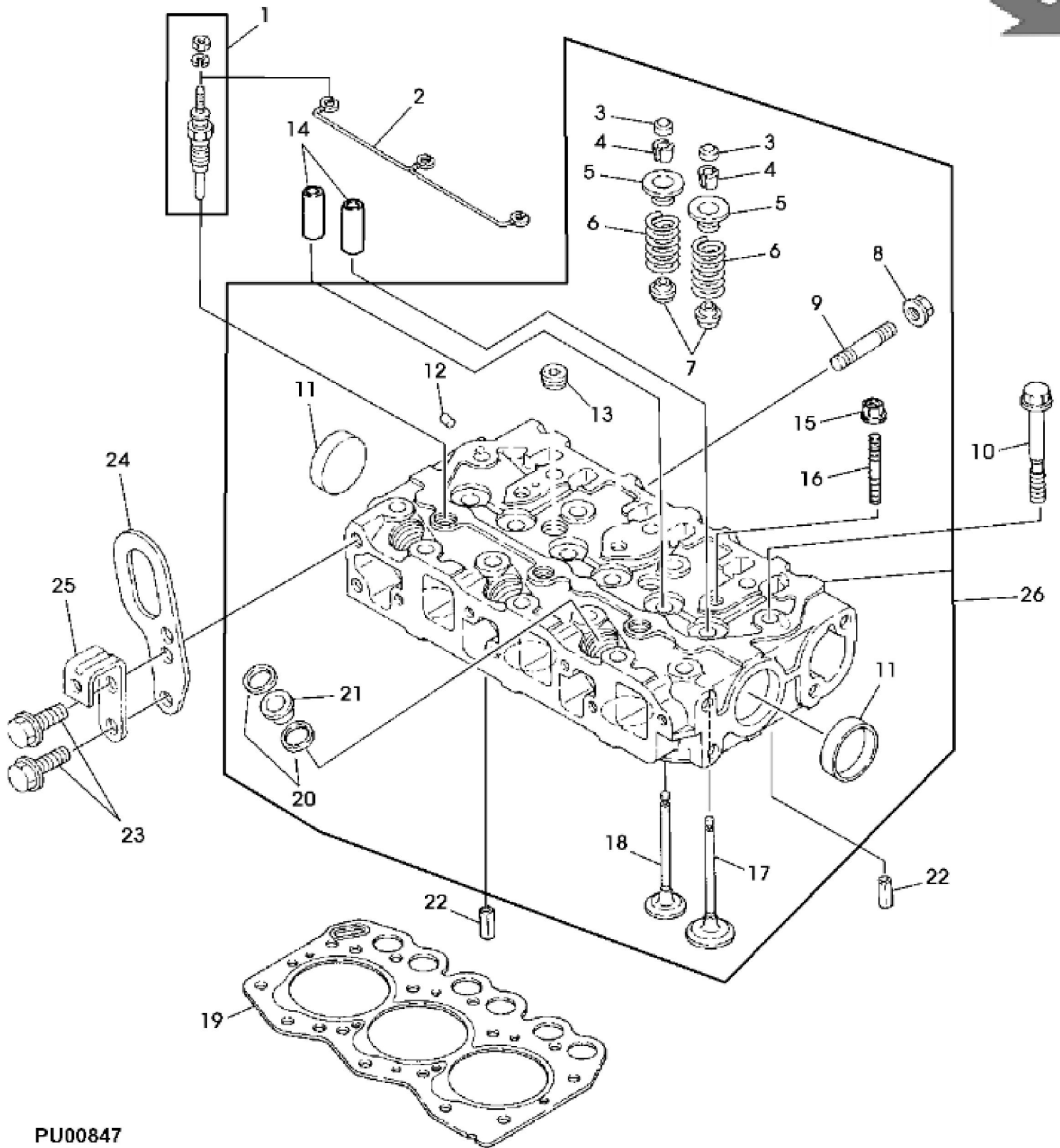


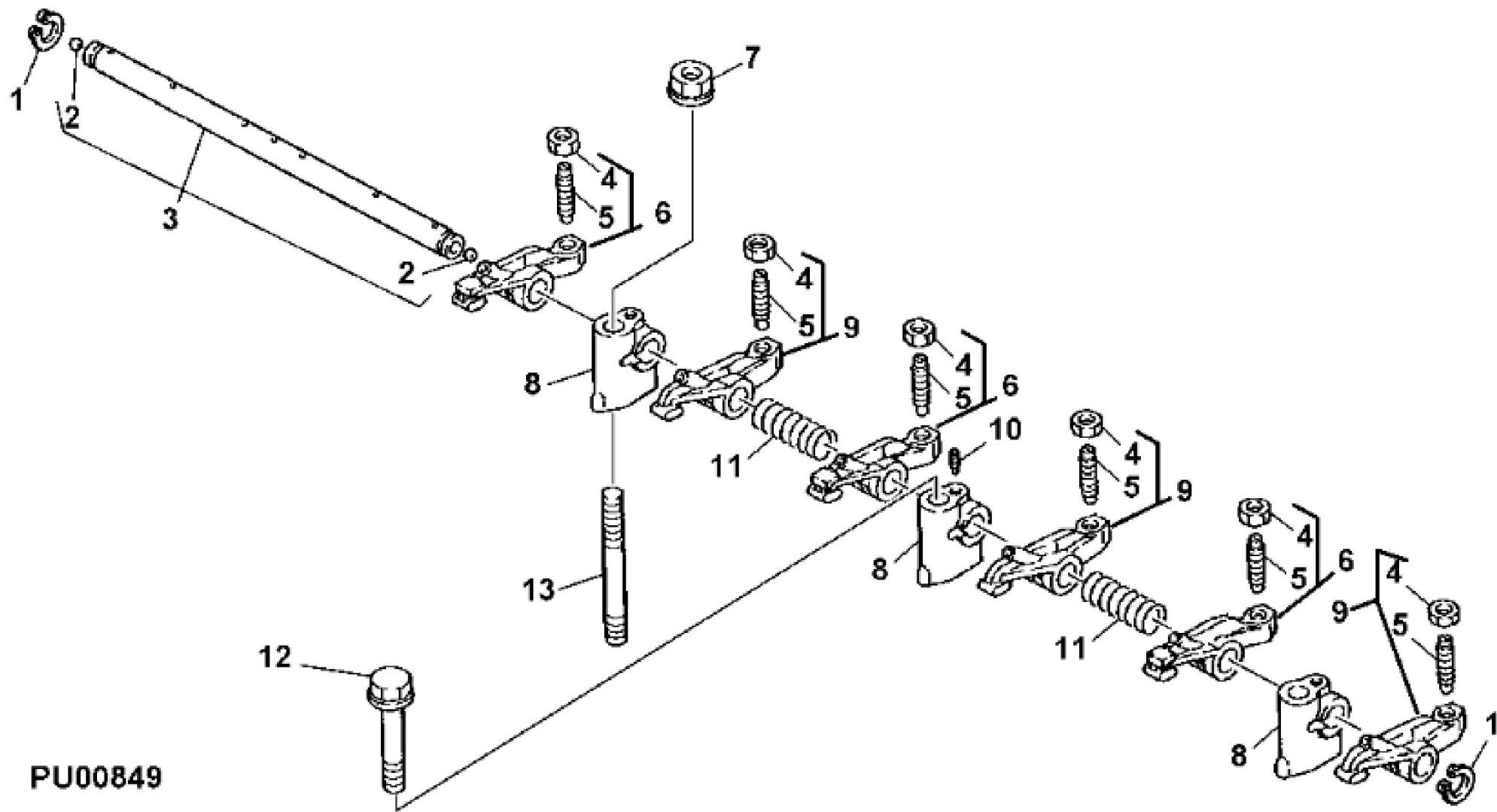
PU00844

KEY	PART NO.	PART NAME	QTY	REMARKS
1	M87810	FLANGE	1	
2	19M7774	SCREW	2	M6 X 12
3	CH10568	PACKING	2	
4	30M7023	PLUG	2	(SUB FOR CH10642)
5	M806843	PLUG	1	STEEL (SUB FOR CH10640)
6	CH17101	PLUG	4	
7	M800013	BUSHING	1	CAMSHAFT
8	M800006	DOWEL PIN	2	KNOCK PIPE
9	M800002	PLUG	2	NO.10
10	M89140	SHAFT	1	IDLE GEAR
11	19M7774	SCREW	3	M6 X 12
12	M89139	PLATE	1	IDLE GEAR SHAFT
13	40M7080	SNAP RING	1	
14	AM875059	BEARING KIT	4	STD
14	AM875026	BEARING KIT	4	0.25 MM (.010") OS
15	M800012	BOLT	8	
16	M89143	GUIDE	1	DIPSTICK
17	CH10571	PACKING	1	
18	AM875060	BEARING KIT	2	THRUST
19	CH15478	PLUG	1	
20	CH10314	PLUG	2	
21	AM100800	DRAIN VALVE	1	
22	M802254	PIN	2	(SUB FOR M87808, THIS APPLICATION)
23	M802255	PIN	2	(SUB FOR CH10534, THIS APPLICATION)
24	M809526	SWITCH	1	OIL PRESSURE (SUB FOR CH15500)
25	AM875018	CYLINDER BLOCK	1	KIT
26	M800420	DIPSTICK	1	
27	M800045	GUIDE	1	
28	19M7300	CAP SCREW	1	M6 X 10
..	AM875912	DIESEL ENGINE	1	COMPLETE (SUB FOR AM875571 AND AM875913) (SUB AM875017)
..	MIA882702	SHORT BLOCK ASSEMBLY	1	SUB FOR AM875017



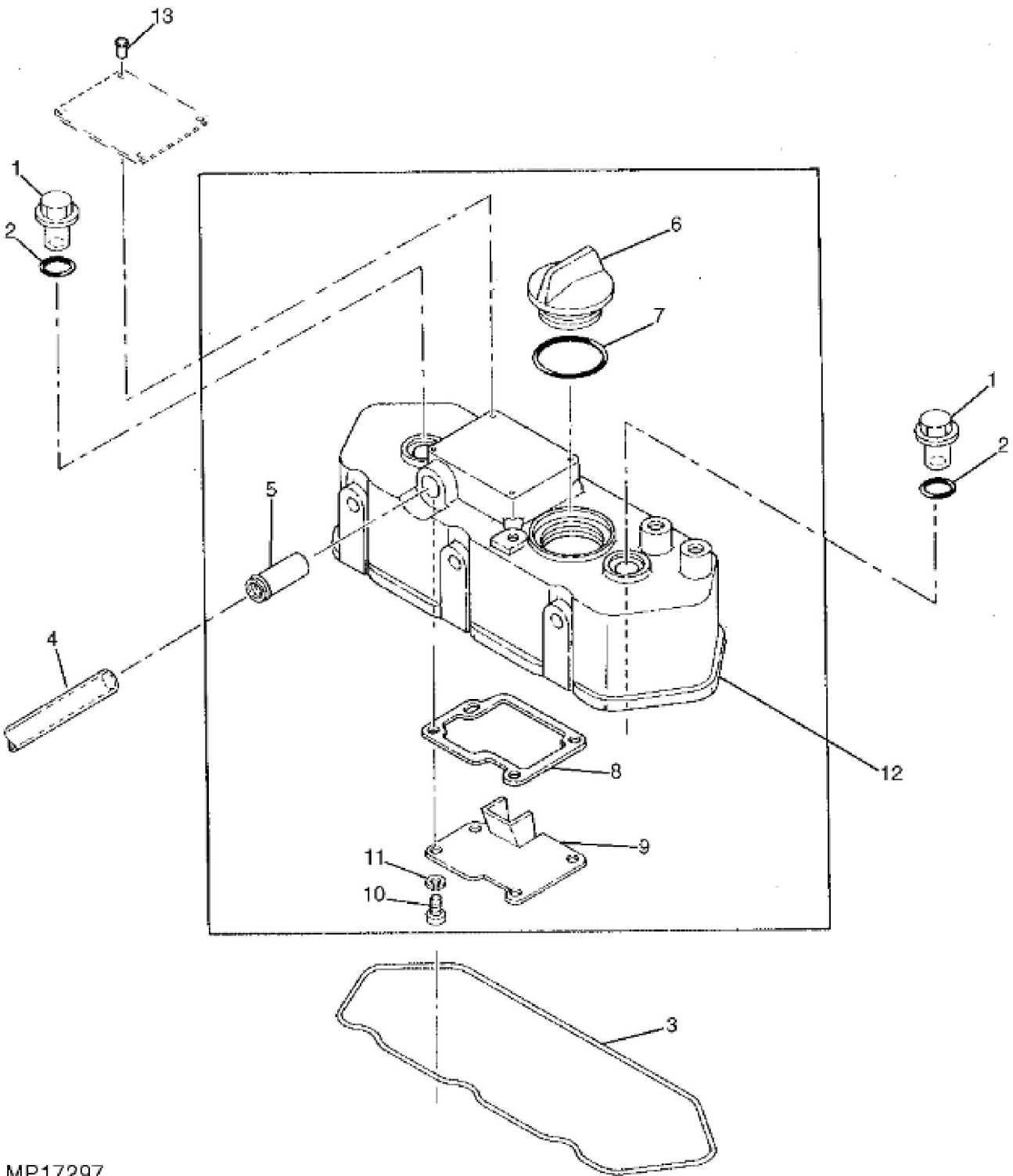
PU00847

KEY	PART NO.	PART NAME	QTY	REMARKS
1	M87919	GLOW PLUG	3	
2	M87920	ELEC. CONNECTOR TERMINAL	1	
3	M800023	CAP	6	
4	AM878864	RETAINER KIT	6	(PKG OF 2), (BOTH SIDES) VALVE RETAINER (SUB FOR (2) M800021)
5	M800020	HOLDER	6	SPRING
6	M800019	SPRING	6	VALVE
7	M800022	SEAL	6	NLA; ORDER MIU801996; VALVE
7	MIU801996	SEAL	6	
8	14M7303	FLANGE NUT	2	M6
9	M800034	STUD	2	6 X 40
10	M800003	BOLT	14	CYLINDER HEAD
11	CH17438	PLUG	2	
12	M87831	PLUG	1	5 X 8
13	CH16747	PLUG	2	TAPER PLUG
14	M800067	GUIDE	6	VALVE
15	14M7298	FLANGE NUT	2	M8
16	M87836	STUD	2	ARM SUPPORT
17	M800017	INTAKE VALVE	3	
18	M800018	EXHAUST VALVE	3	
19	M800004	ENGINE CYLINDER HEAD GASKET	1	CYLINDER HEAD (SUB FOR M801790)
20	M89135	GASKET	6	FUEL INJECTION NOZZLE
21	M89134	PACKING	3	FUEL INJECTION NOZZLE
22	CH18079	SPRING PIN	2	
23	19M7865	SCREW	2	M8 X 16
24	MIU800461	BRACKET	1	(SUB FOR M800066) LIFT
25	M802216	BRACKET	1	FUEL FILTER
26	AM875030	CYLINDER HEAD	1	(SUB FOR AM875561)



PU00849

KEY	PART NO.	PART NAME	QTY	REMARKS	
1	CH17950	RING	2		
2	R63075	BALL	2	(SUB FOR CH18341)	
3	AM875002	ROCKER ARM SHAFT	1	SHAFT ASSEMBLY	
4	14M7194	NUT	6	M6	
5	M87841	SCREW	6		
6	AM875029	ROCKER ARM	3	EXHAUST	
7	14M7298	FLANGE NUT	2	M8	
8	M800024	SUPPORT	3	ROCKER ARM	
9	AM875028	ROCKER ARM	3	INTAKE	
10	M800069	SELF-LOCKING SCREW	1		
11	M800025	SPRING	2		
12	CH19101	BOLT	1		
13	M87836	STUD	2	ARM SUPPORT	



MP17297

Thank you so much for reading.
Please click the “Buy Now!”
button below to download the
complete manual.



After you pay.

You can download the most
perfect and complete manual in
the world immediately.

Our support email:

ebooklibonline@outlook.com