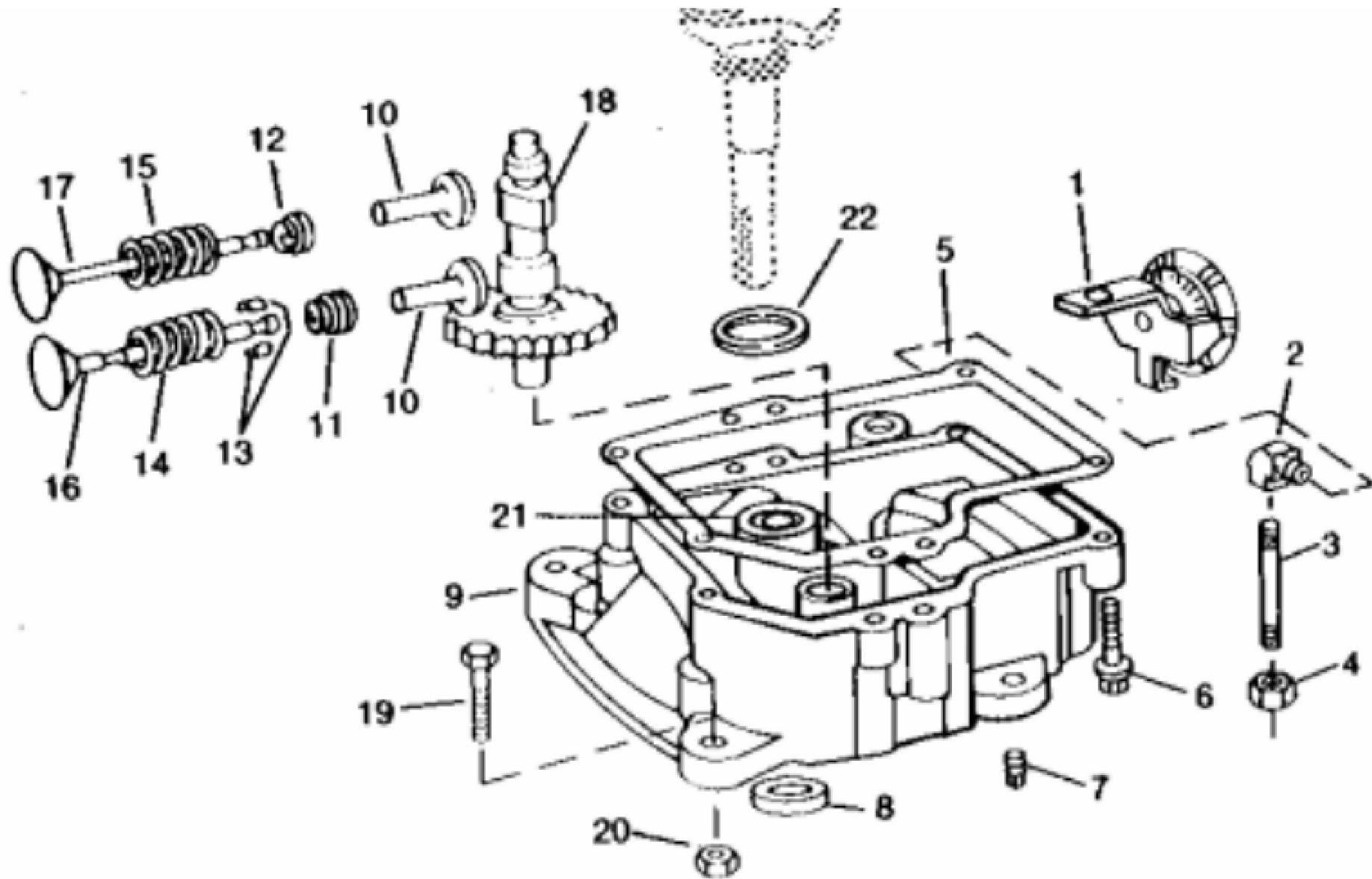


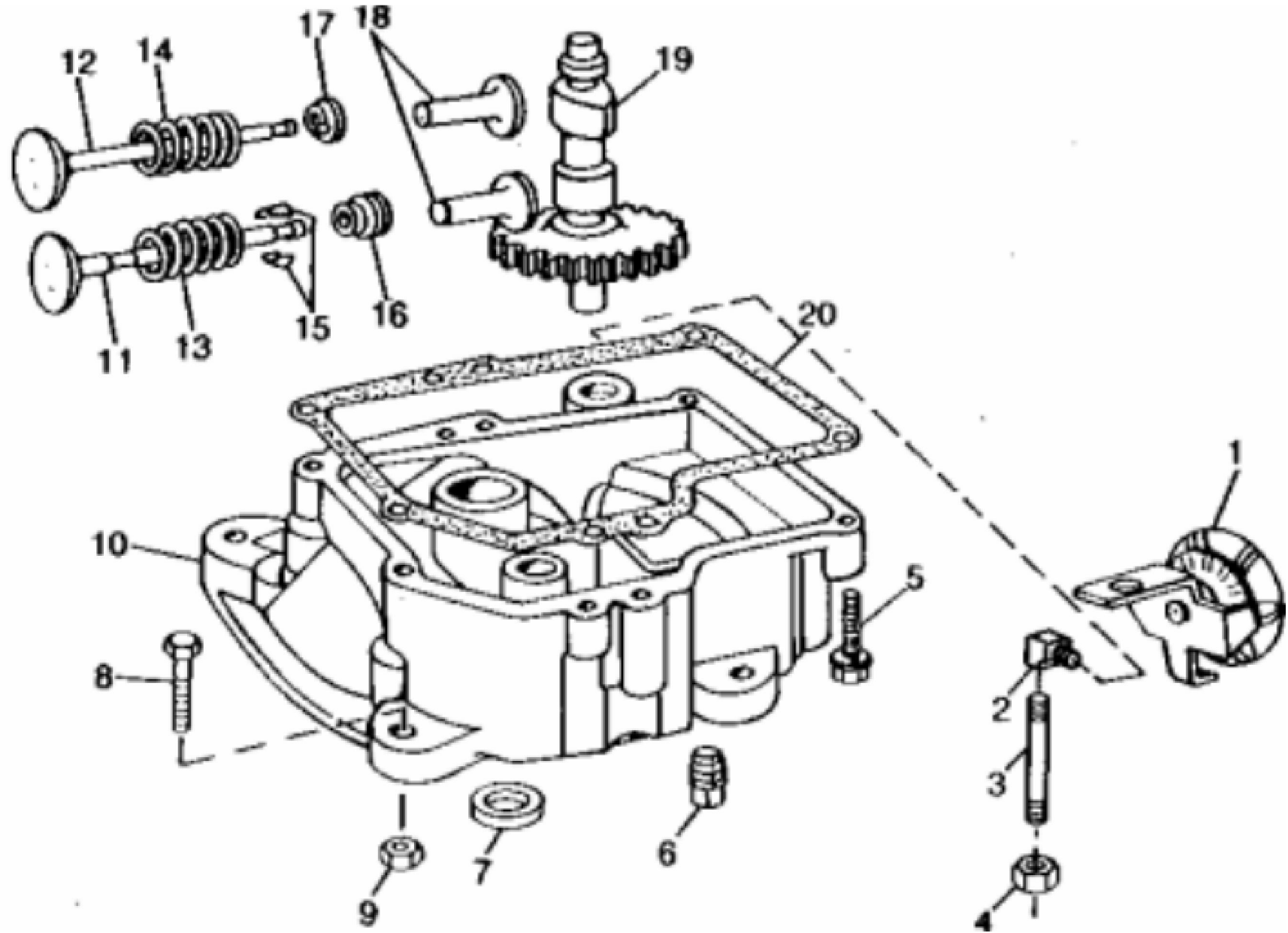
John Deere > Turf And Utility >MOWER, RIDING >S92 - MOWER, RIDING >S80,S82 and S92 Riding Mowers >20 ENGINE AM100175, AM100176, AM100930 >ST606122 - CYLINDER BLOCK, CYLINDER HEAD AND BREATHER (S92)

KEY	PART NO.	PART NAME	QTY	Serial No.	REMARKS
1	M82247	SCREW	1		3"
2	M82677	COVER	1		
3	21H1300	SCREW	1		0.190" X 3/8"
3	12H246	LOCK WASHER	1		0.190"
4	M82676	SHIELD	1		
5	M82655	SEAL	1		
6	M93280	BEARING	1		
7	AM39696	CYLINDER	1		(AM39696 CYLINDER AND AM100300 CYLINDER COMPONENTS ARE NOT INTERCHANGEABLE.)
8	AM109170	KIT	1		(SUB FOR M81471)
9	M82658	TUBE	1		
10	21H1317	SCREW	2		0.190" X 5/8"
10	12H246	LOCK WASHER	2		0.190"
11	AM35790	BREATHER	1		
12	M49295	GASKET	1		
13	LG231218	GUIDE	1		NLA; SUB FOR M84244; Exhaust, Brass
13	M86865	GUIDE	1		(EXHAUST) (SINTERED)
14	M82692	VALVE SEAT INSERT	1		(EXHAUST) (STD)
15	M82691	VALVE SEAT INSERT	1		(INTAKE) (STD)
16	M71852	GASKET	1		(SUB FOR M82657)
17	M88433	CYLINDER HEAD	1		(SUB FOR M82656)
..	AM39976	GASOLINE ENGINE	1	285001-292179	(SUB AM100930)
..	AM100930	GASOLINE ENGINE	1	292180-_____	(ORDER AM100894 SHORT BLOCK)



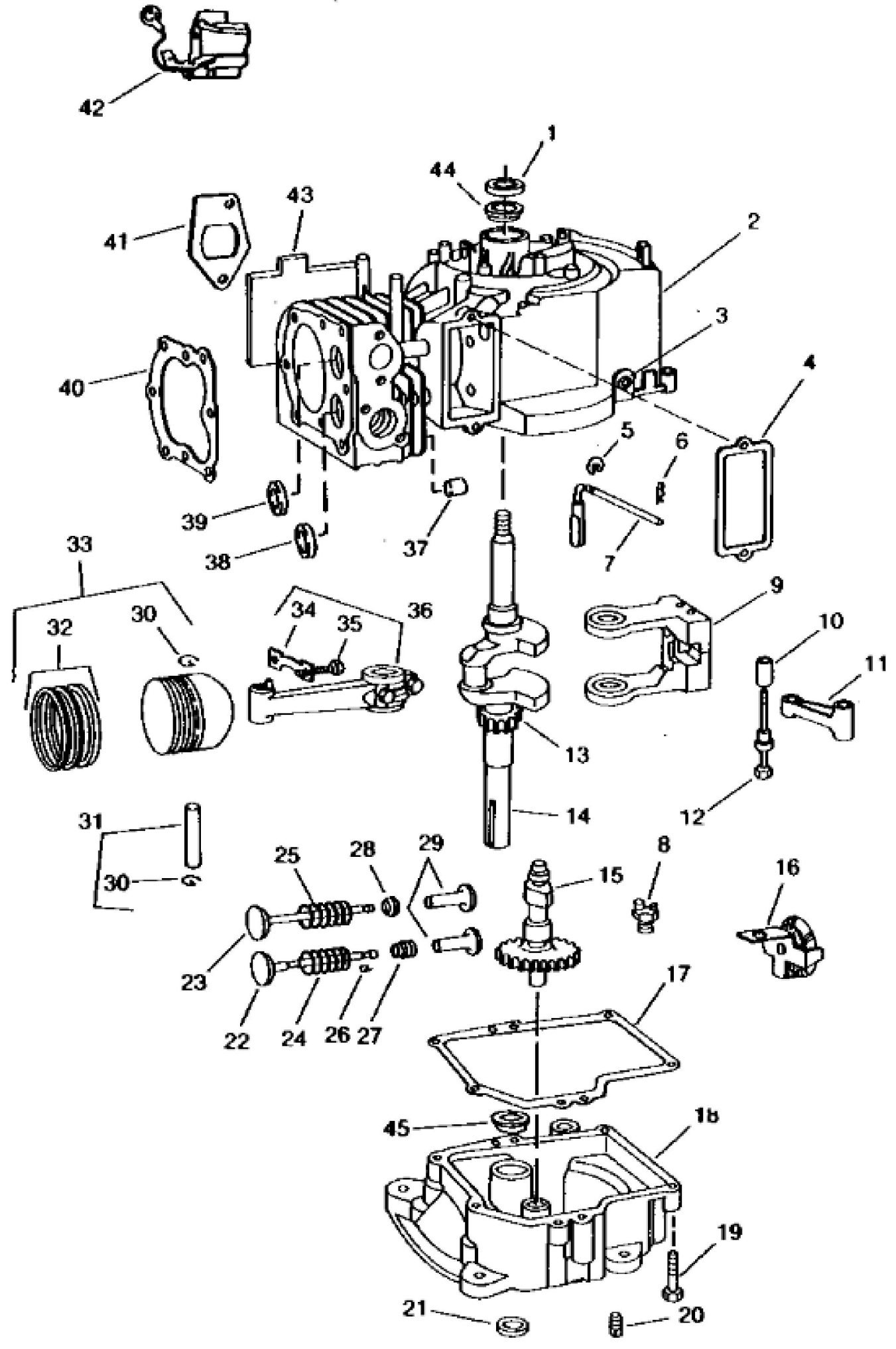
John Deere > Turf And Utility >MOWER, RIDING >S92 - MOWER, RIDING >S80,S82 and S92 Riding Mowers >20 ENGINE AM100175, AM100176, AM100930 >ST606123 - VALVES, CAMSHAFT AND ENGINE BASE (S80, S82)

KEY	PART NO.	PART NAME	QTY	REMARKS
1	AM107734	OIL SLINGER	1	(SUB FOR AM37066)
2	M83906	ELBOW FITTING	1	90°, (SUB FOR M85427)
3	29H167	THREADED NIPPLE	1	3/8"
4	M48867	PIPE PLUG	1	
5	M87680	GASKET	1	.015", (SUB FOR M49294)
5	M49296	GASKET	1	.005"
5	M49297	GASKET	1	.009"
6	19H2569	CAP SCREW	6	5/16" X 1-5/8"
6	12H303	LOCK WASHER	6	5/16"
7	15H266	PIPE PLUG	1	3/8"
8	M82655	SEAL	1	
9	M49328	RESERVOIR	1	
10	M49318	TAPPET	2	
11	M49323	ROTATOR	1	
12	M49312	RETAINER	1	
13	M49302	RETAINER	2	
14	M49293	COMPRESSION SPRING	1	
15	M49298	COMPRESSION SPRING	1	
16	M49320	EXHAUST VALVE	1	EXHAUST
17	M49319	INTAKE VALVE	1	INTAKE
18	M80295	CAMSHAFT	1	
19	19H1849	CAP SCREW	4	5/16" X 1-1/4"
20	14H785	NUT	4	5/16"
21	M49326	BUSHING	1	
22	M83159	THRUST WASHER	1	



John Deere > Turf And Utility >MOWER, RIDING >S92 - MOWER, RIDING >S80,S82 and S92 Riding Mowers >20 ENGINE AM100175, AM100176, AM100930 >ST606124 - VALVES, CAMSHAFT AND MOUNTING FLANGE (S92)

KEY	PART NO.	PART NAME	QTY	REMARKS
1	AM37810	OIL SLINGER	1	
2	M83906	ELBOW FITTING	1	(SUB FOR M85427)
3	29H167	THREADED NIPPLE	1	3/8"
4	M48867	PIPE PLUG	1	
5	19H2569	CAP SCREW	6	5/16" X 1-5/8"
5	12H303	LOCK WASHER	6	5/16"
6	15H266	PIPE PLUG	1	3/8"
7	M82662	SEAL	1	.015"
8	19H1849	CAP SCREW	4	5/16" X 1-1/4"
9	14H785	NUT	4	5/16"
10	AM37797	BASE	1	
11	M82666	EXHAUST VALVE	1	
12	M82667	INTAKE VALVE	1	
13	M49293	COMPRESSION SPRING	1	
14	M49298	COMPRESSION SPRING	1	
15	M49302	RETAINER	2	
16	M49323	ROTATOR	1	
17	M49312	RETAINER	1	
18	M82668	TAPPET	2	
19	M88147	CAM	1	(SUB FOR M82669)
20	M87681	GASKET	1	.015", (SUB FOR M82659 AND M70641)
20	M82660	GASKET	1	.005"
20	M82661	GASKET	1	.009"
20	M70641	GASKET	1	.015"



Thank you so much for reading.
Please click the “Buy Now!”
button below to download the
complete manual.



After you pay.

You can download the most
perfect and complete manual in
the world immediately.

Our support email:

ebooklibonline@outlook.com