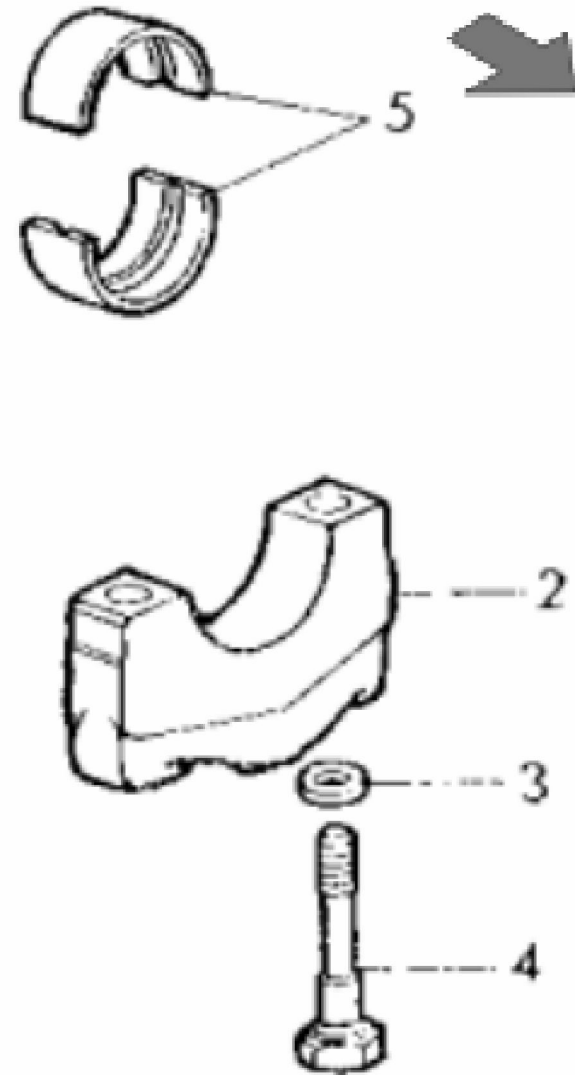
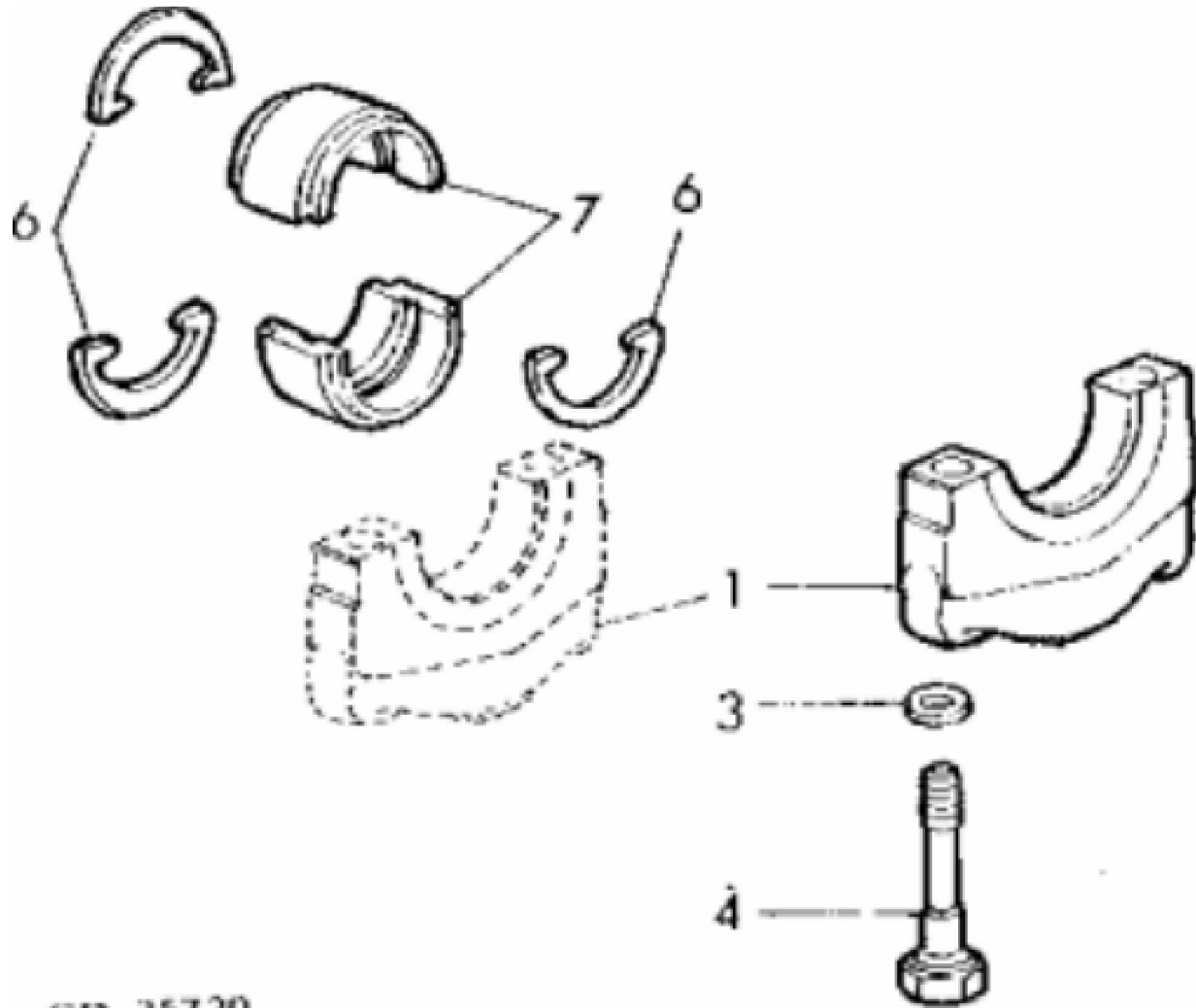


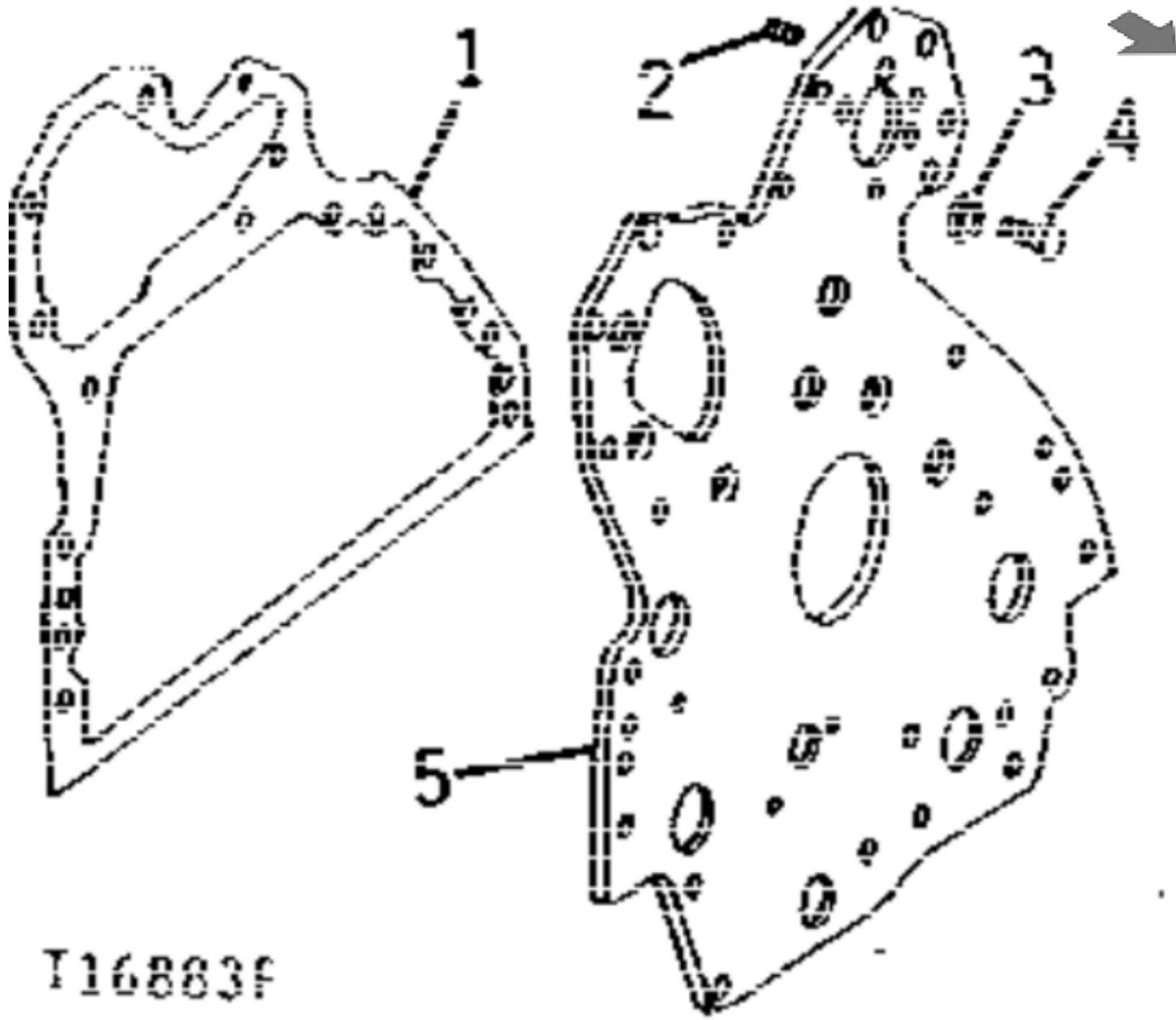
KEY	PART NO.	PART NAME	QTY	Engine Serial No.	350D	355D	REMARKS
1	R48685	DOWEL PIN	2		X	X	
2	15H690	PIPE PLUG	1		X	X	3/4"
3	R26241	DOWEL PIN	2		X	X	
4	15H275	PIPE PLUG	1		X	X	1/4"
5	AT13740	DRAIN VALVE	AR		X	X	
6	CYLINDER BLOCK	1	____-741897	X	X	(MARKED R72962) (SUB AR97201)
6	CYLINDER BLOCK	1	741898-____	X	X	(MARKED R89834) (SUB RE29217)
7	R122226	STUD	2	____-707591	X	X	3/8"-16UNC X 2.680", (SUB R84984 AND 14H774, THIS APPLICATION) (SUB FOR R122226)
7	R84984	STUD	2	707592-____	X	X	3/8"-24UNF X 2.677"
8	T25701	STUD	1	____-729358	X	X	3/8"-16UNC X 2.190", (SUB R82674 AND 14H774, THIS APPLICATION)
8	R82674	STUD	1	729359-____	X	X	3/8"-24UNF X 1.969"
9	T18891	PLUG	1		X	X	
10	R26493	BUSHING	1		X	X	
11	R26650	DOWEL PIN	1		X	X	(A)
11	A4879R	DOWEL PIN	1		X	X	(A)
12	R46625	SPRING	1		X	X	
13	R73139	FLOW CONTROL HYD. VALVE	1		X	X	
14	15H666	PIPE PLUG	1		X	X	3/8"
15	R54802	ORIFICE	3		X	X	
16	T23435	THREADED NIPPLE	1		X	X	
17	AR97201	CYLINDER BLOCK	1	____-741897	X	X	(MARKED R72962) (ORDER RE29217 AND (14) R85363) (ALSO ORDER 15H519)
17	RE29217	CYLINDER BLOCK	1	741898-____	X	X	(MARKED R89834) (ALSO ORDER 15H519)
18	R55233	PIPE PLUG	1		X	X	
19	15H558	PIPE PLUG	4	736232-____	X	X	1/8", OIL GALLERY
20	15H519	PIPE BUSHING	AR		X	X	3/4", TURBOCHARGER RETURN LINE



CD 25720

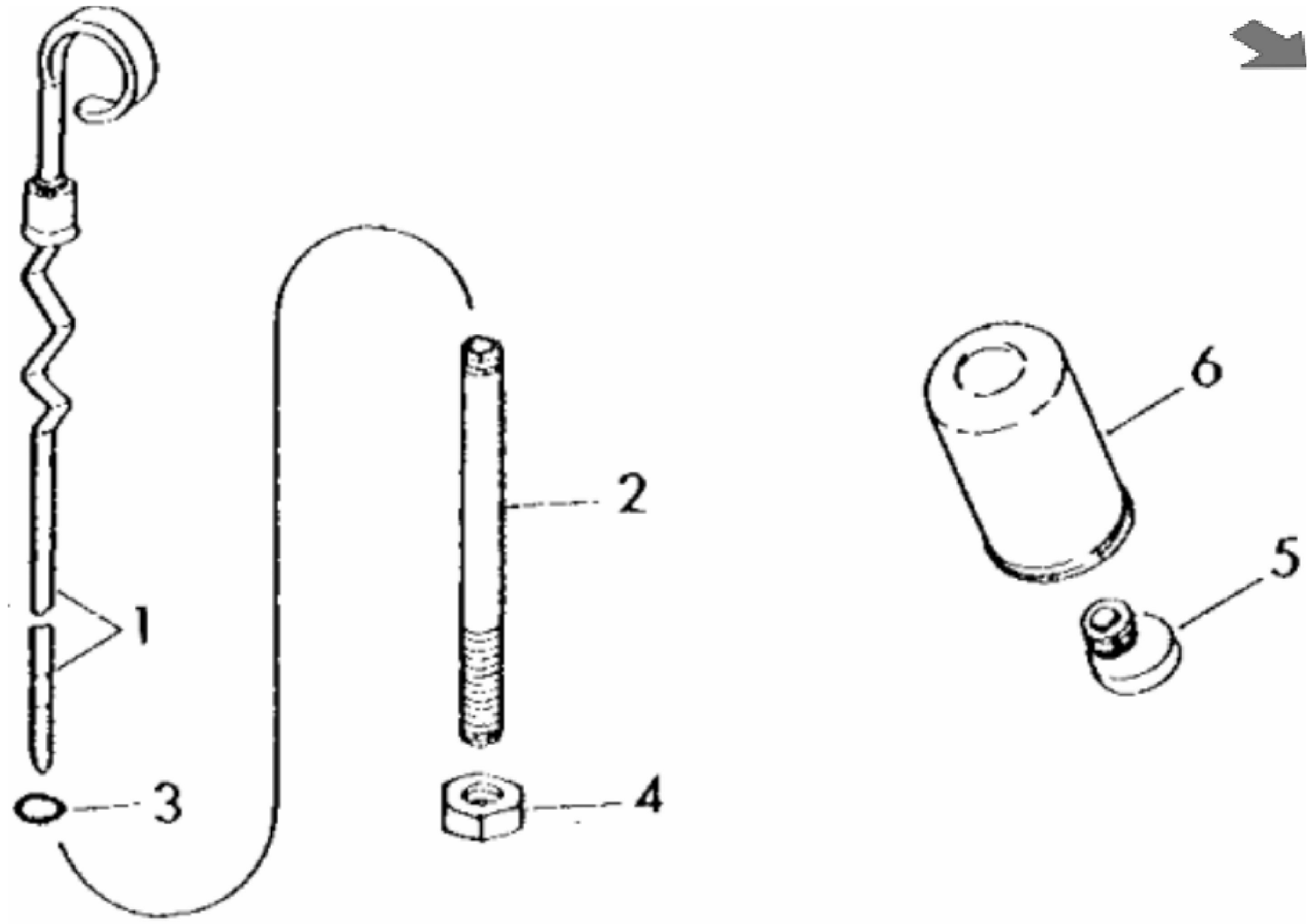
John Deere > Construction And Forestry >BULLDOZER >355D - BULLDOZER >350D Crawler Bulldozer and 355D Crawler Loader >4 ENGINE 4 >CYLINDER BLOCK 0404 >0404-6 - CRANKSHAFT BEARINGS AND CAPS [01D21]

KEY	PART NO.	PART NAME	QTY	350D	355D	REMARKS
1	R79089	CAP	1	X	X	REAR
2	R65215	BEARING CAP	3	X	X	
3	T20168	WASHER	8	X	X	
4	T23474	CAP SCREW	8	X	X	
5	RE27352	BEARING KIT	6	X	X	I.D.= STANDARD, (KIT (2) R83380) (SUB FOR AT21140) (KIT (2) T23214)
5	RE27353	BEARING KIT	AR	X	X	I.D.= -0.254MM(0.010"), (KIT (2) R87750) (SUB FOR AT21108) (KIT (2) T23552) AND (SUB FOR AT21110) (KIT (2) T23554)
5	RE27360	KIT	AR	X	X	I.D.= -0.508MM(0.020") (KIT (2) R87756) (SUB FOR AT21112) (KIT (2) T23556)
5	RE27368	KIT	AR	X	X	I.D.= -0.762MM(0.030") (KIT (2) R87759) (SUB FOR AT21114) (KIT (2) T23558)
6	RE13571	KIT	1	X	X	TK= STANDARD (KIT (3) R78598)
6	AR95932	KIT	AR	X	X	TK= +0.17MM(0.007") (KIT (3) R64851)
7	RE57279	BEARING	1	X	X	(SUB FOR AR81786) (SUB FOR RE27350 AND RE60350) (REAR) I.D.= STANDARD, (KIT (2) R83381) (KIT (2) R64264)
7	RE27351	KIT	AR	X	X	(REAR) I.D.= -0.254MM(0.010") (KIT (2) R87749) (SUB FOR AR81787) (KIT (2) R64847) AND (SUB FOR AR81788) (KIT (2) R64848)
7	RE27359	KIT	AR	X	X	(REAR) I.D.= -0.508MM(0.020") (KIT (2) R87755) (SUB FOR AR81789) (KIT (2) R64849)
7	RE27366	KIT	AR	X	X	(REAR) I.D.= -0.762MM(0.030") (KIT (2) R87758) (SUB FOR AR81790) (KIT (2) R64850)



T16883F

KEY	PART NO.	PART NAME	QTY	350D	355D	REMARKS
1	R131794	GASKET	1	X	X	(SUB FOR R90648)
2	AT21191	SET SCREW	5	X	X	
2	AT22919	SET SCREW	2	X	X	
3	12H324	WASHER	5	X	X	3/8"
4	T20166	SCREW	5	X	X	
5	R79863	PLATE	1	X	X	(ALSO ORDER (5) AT21191 SET SCREWS AND (2) AT22919 SET SCREWS)



CD 25750

Thank you so much for reading.
Please click the “Buy Now!”
button below to download the
complete manual.



After you pay.

You can download the most
perfect and complete manual in
the world immediately.

Our support email:

ebooklibonline@outlook.com