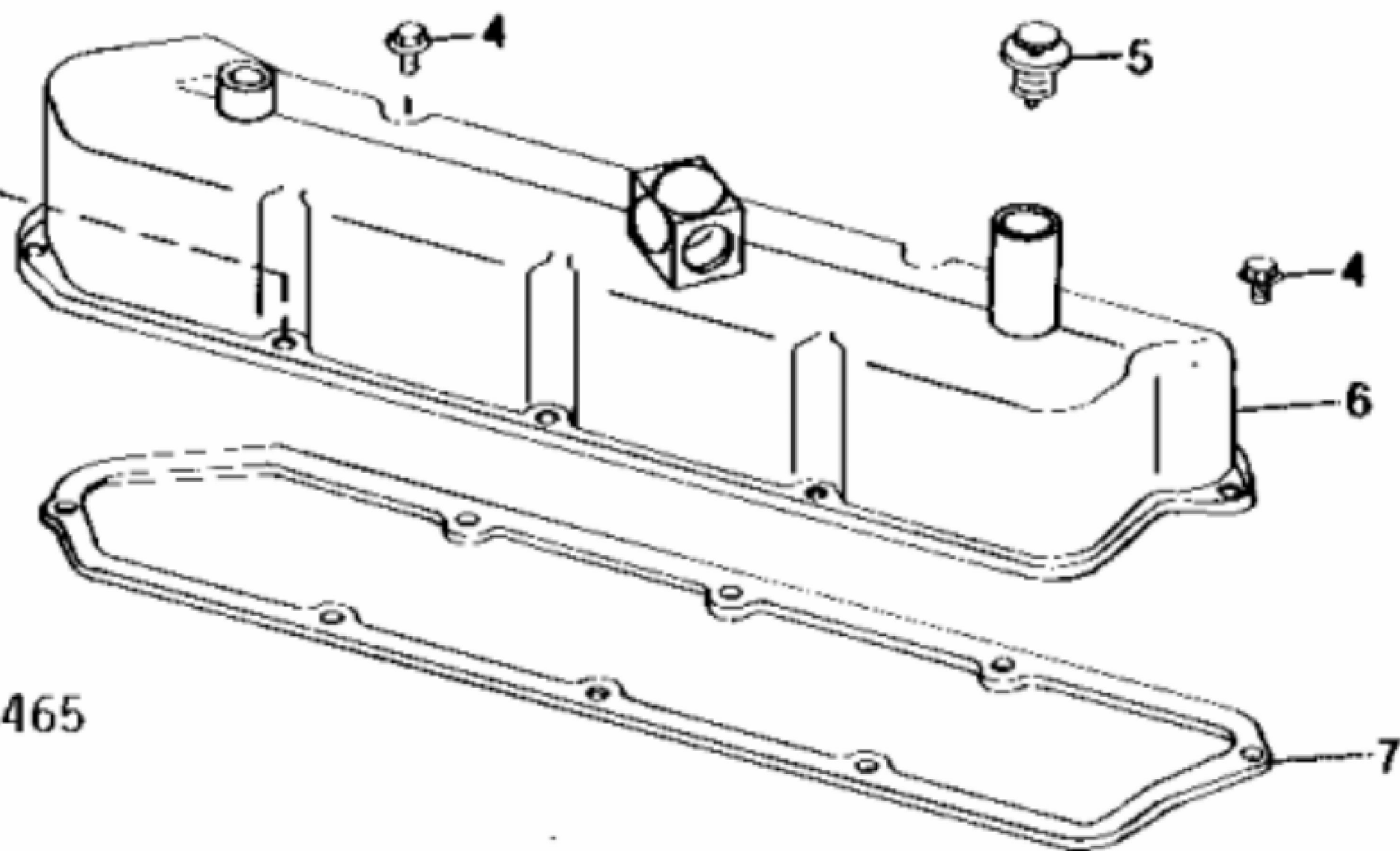


- 1 - Bolt
- 2 - Washer
- 3 - Washer

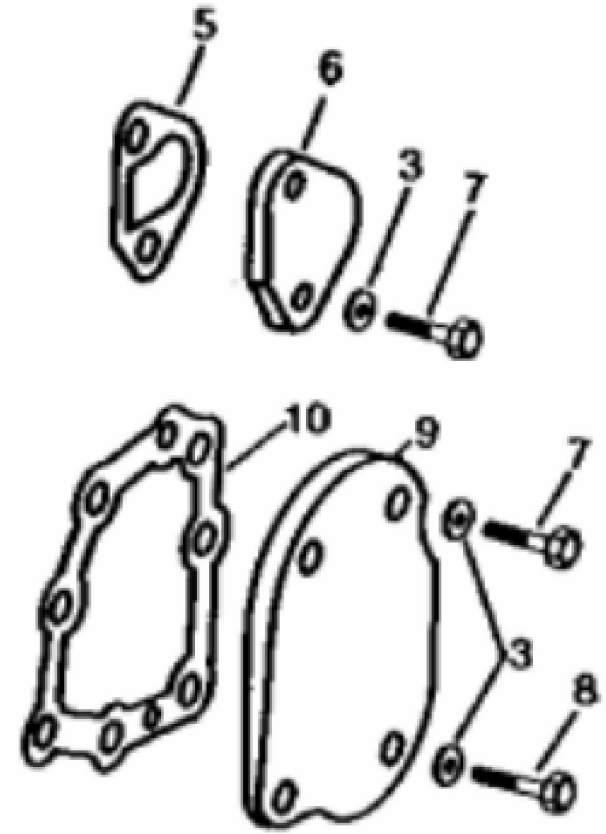
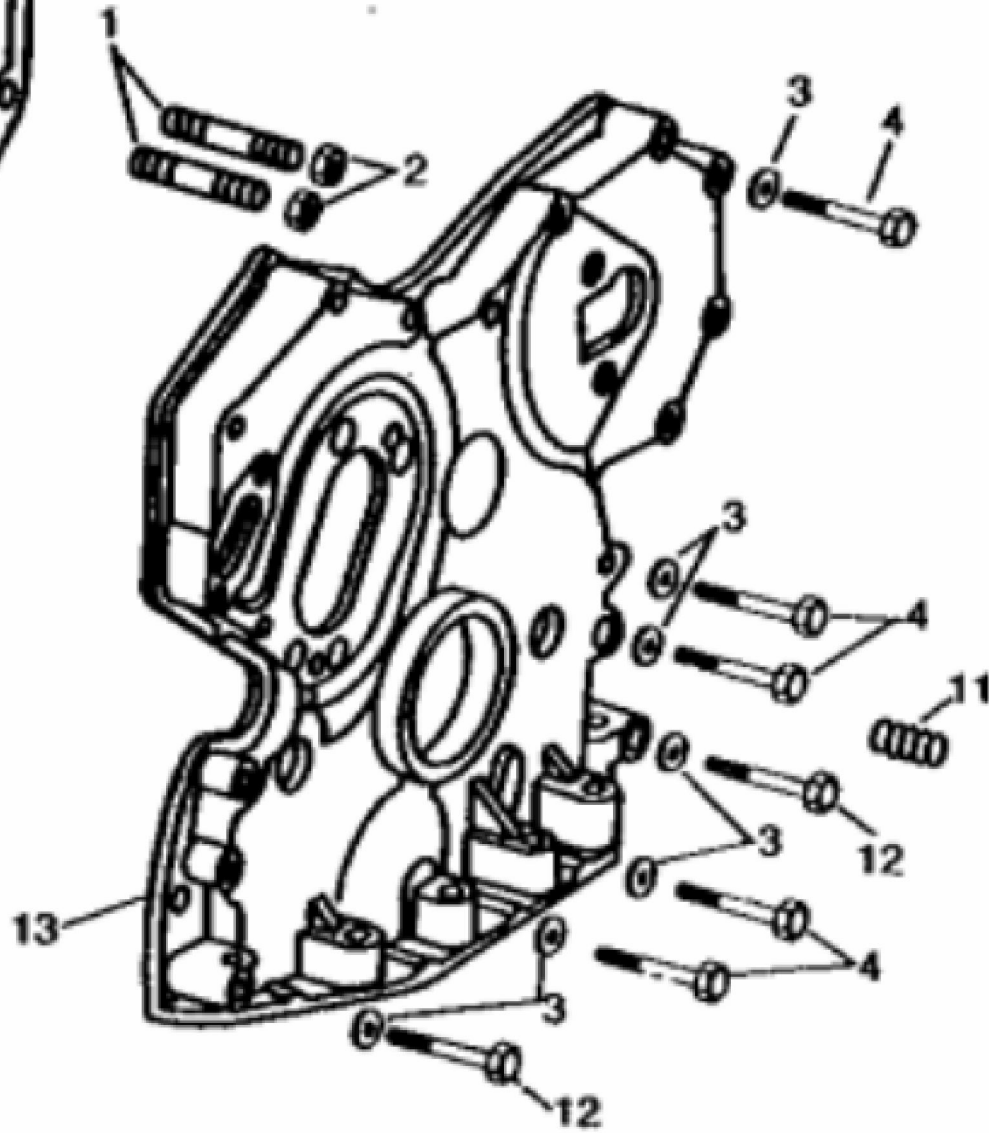


TP16465

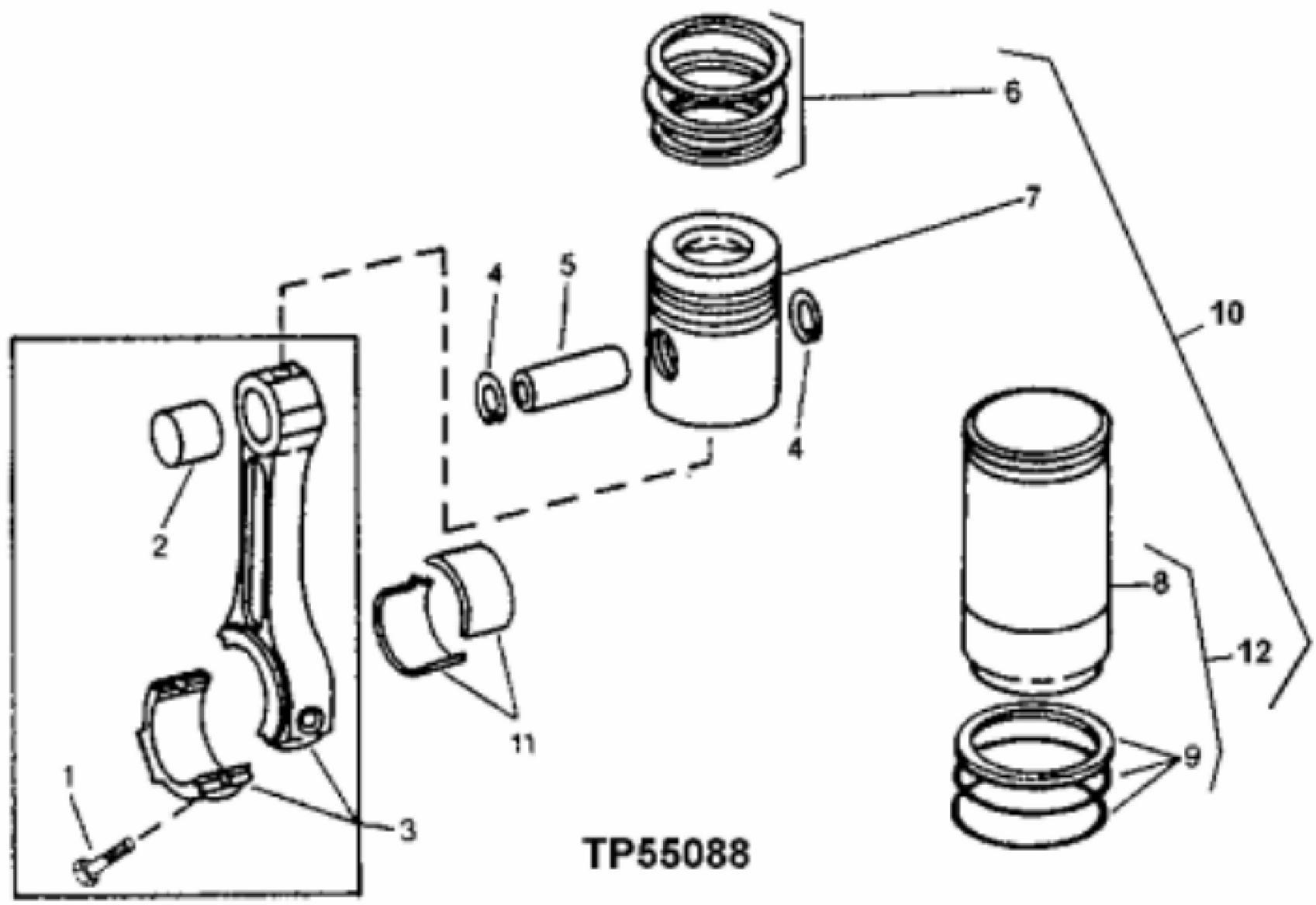
KEY	PART NO.	PART NAME	QTY	REMARKS	
1	19H2036	CAP SCREW	1	1/4" X 7/8"	
2	12H302	LOCK WASHER	1	1/4"	
3	R64764	WASHER	1		
4	AR103811	SCREW WITH WASHER	8	(SUB FOR AR100124)	
5	AR65864	FILLER CAP	1		
6	AR71130	VALVE COVER	1		
7	AR100596	GASKET	1		



TP861

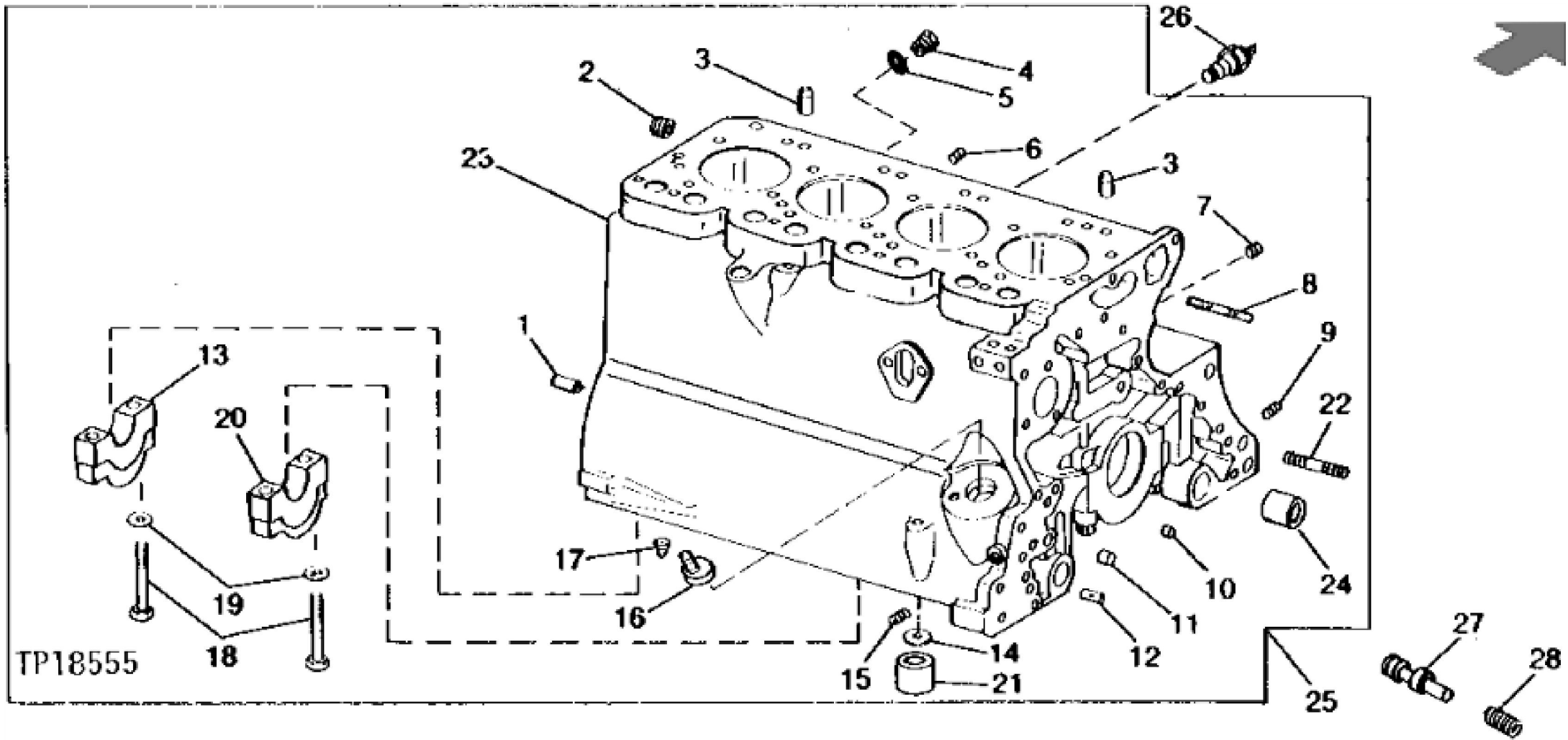


KEY	PART NO.	PART NAME	QTY	REMARKS
1	R122226	STUD	2	(SUB FOR R122226)
2	14H1076	NUT	2	3/8"
3	24H1304	WASHER	AR	13/32" X 23/32" X 0.120"
4	19H2549	CAP SCREW	10	3/8" X 1-7/8"
5	R78366	GASKET	1	
6	R126041	COVER	1	(SUB FOR T20362)
7	19H2284	CAP SCREW	3	3/8" X 7/8"
7	R124277	CAP SCREW	2	(USE WITH R126041) (SUB FOR R122618, THIS APPLICATION)
8	19H1726	CAP SCREW	1	3/8" X 2-1/4"
9	T20272	COVER	1	
10	T20273	GASKET	1	
11	15H275	PIPE PLUG	1	1/4"
12	19H3031	CAP SCREW	2	3/8" X 2-1/2"
13	AR58196	COVER	1	(MARKED R52880) (ALSO ORDER T20272, T20273, 15H275, 19H1726, (3) 19H2284 AND (4) 24H1304) (SUB RE39252)
14	T20155	GASKET	1	



TP55088

KEY	PART NO.	PART NAME	QTY	REMARKS
1	R80033	CAP SCREW	8	
2	R55647	BUSHING	4	
3	SE500747	CONNECTING ROD	4	(MARKED R80034) (REMANUFACTURED)
4	M41029	SNAP RING	8	
5	R125754	PISTON PIN	4	(SUB FOR R51731)
6	RE66820	PISTON RING KIT	4	(SUB FOR RE15674 AND RE48818)
7	PISTON	4	(USE IF AVAIABLE) (WHEN RE19282 IS NO LONGER AVAILABLE, SUB RE30250)
8	R116281	CYLINDER LINER	4	(SUB FOR R51726 OR R90059) (SUB RE500023) (SUB (4) RE30250) (RE30250 PISTON LINER KIT)
9	AR65507	O-RING KIT	4	
10	RE30250	KIT	4	(SUB FOR RE24458)
11	RE27348	BEARING KIT	4	(SUB FOR AT21138) STANDARD (SET OF (2) T20011)
11	BEARING	4	(AT21122 NO LONGER AVAILABLE) 0.05 MM (.002") UNDERSIZE (SET OF (2) T23566)
11	RE27349	KIT	4	(SUB FOR AT21124) 0.25 MM (.010") UNDERSIZE (SET OF (2) T23568)
11	RE27358	KIT	4	(SUB FOR AT21126) 0.51 MM (.020") UNDERSIZE (SET OF (2) T23570)
11	RE27364	BEARING KIT	4	(SUB FOR AT21128) 0.76 MM (.030") UNDERSIZE (SET OF (2) T23572)
12	RE500023	KIT	4	



Thank you so much for reading.
Please click the “Buy Now!”
button below to download the
complete manual.



After you pay.

You can download the most
perfect and complete manual in
the world immediately.

Our support email:

ebooklibonline@outlook.com