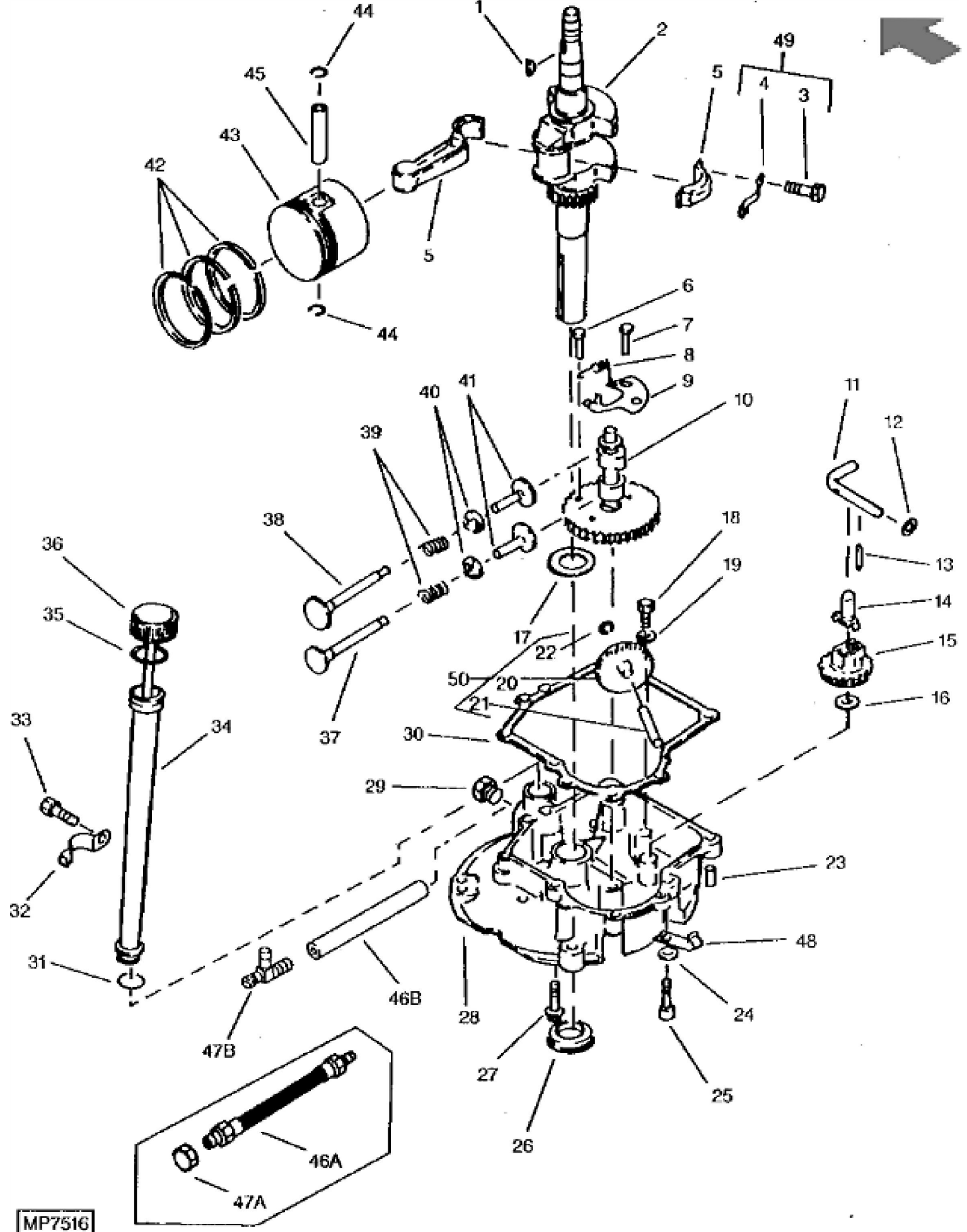


MP5630

John Deere > Turf And Utility >MOWER, RIDING >SX95 - MOWER, RIDING >RX63, RX73, RX75, RX95, SX75 and SX95 Riding Mowers >20 ENGINE >20-1 - RX63 CYLINDER BLOCK, CYLINDER HEAD AND MUFFLER [A15]

KEY	PART NO.	PART NAME	QTY	REMARKS
1	PT13713	SEAL	1	(E)
2	M73291	SCREW	2	
3	M73288	COVER	1	
4	M97293	GASKET	1	(SUB FOR M73290)
5	M75091	PLATE	1	
6	M73292	SCREW	2	
7	M73289	VALVE	1	BREATHER
8	M73264	ENGINE CYLINDER HEAD GASKET	1	(E)
9	M75088	CYLINDER HEAD	1	
10	M71910	BEARING	1	
11	AM104189	CRANKCASE	1	
12	AM108997	KIT	2	(SUB FOR M73272)
13	AM108997	PLATE	1	BOLT RETAINER, (SUB FOR M72373)
14	AM104187	MUFFLER	1	
15	M73271	GASKET	1	(E) (SUB FOR M75090)
16	M71947	SCREW	1	
17	M73320	SHROUD	1	
18	M121248	BOLT	8	(SUB FOR M71889)
19	M71945	COVER	1	
..	AM102413	ENGINE	1	COMPLETE RECOIL START (6 HP) (FA210V-AS00) (SUB AM106232 SHORT BLOCK)
..	AM106232	SHORT BLOCK ASSEMBLY	1	
..	AM109309	GASKET KIT	1	ENGINE (GASKETS INCLUDED ARE INDICATED ON FOLLOWING PAGES) (SUB FOR AM106233)

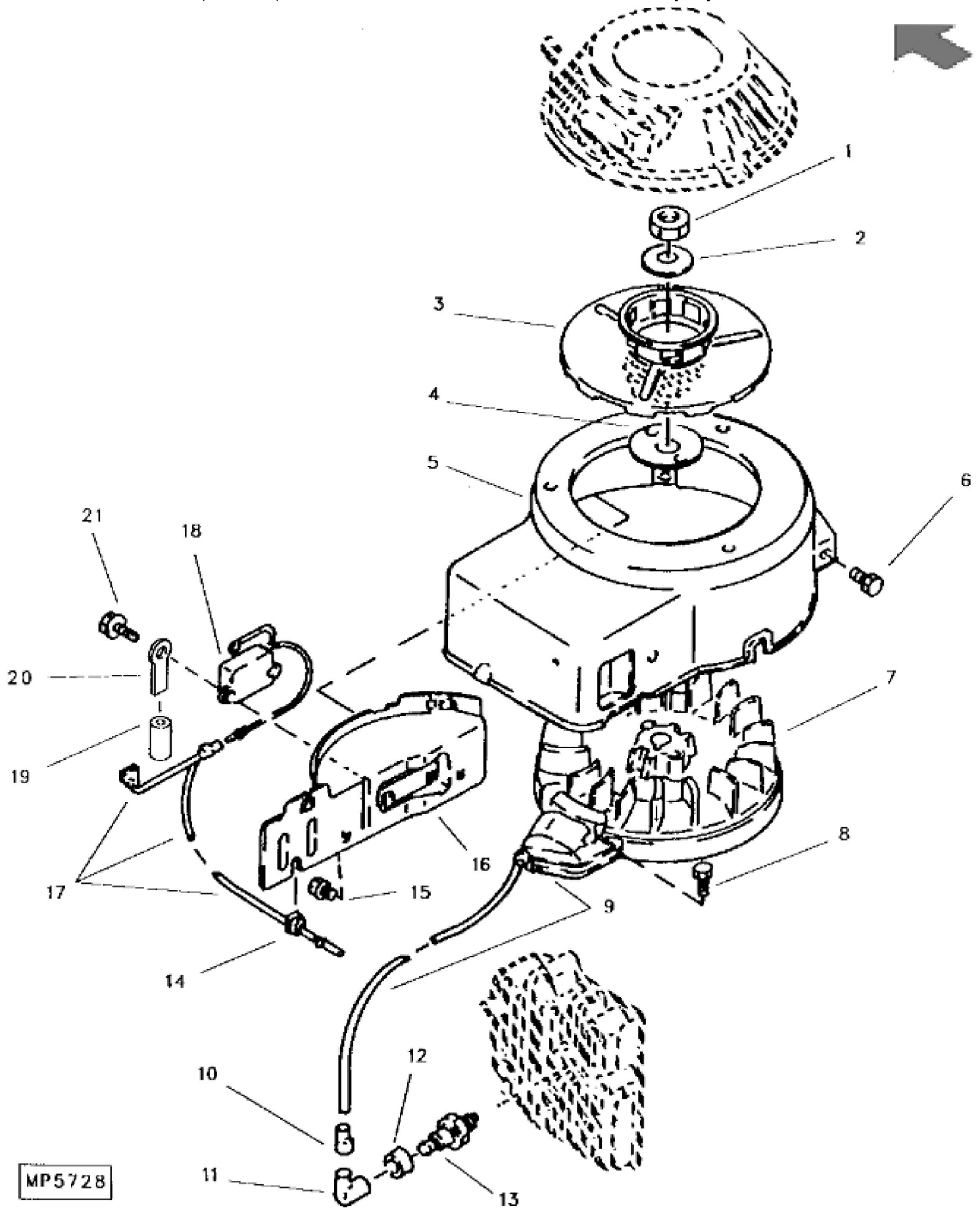


MP7516

John Deere > Turf And Utility >MOWER, RIDING >SX95 - MOWER, RIDING >RX63, RX73, RX75, RX95, SX75 and SX95 Riding Mowers >20 ENGINE >20-2 - RX63 CRANKCASE, PISTON, CAMSHAFT, GOVERNOR, OIL SLINGER, DIPSTICK AND ENGINE BASE [A16]

KEY	PART NO.	PART NAME	QTY	REMARKS
1	M75094	KEY	1	
2	M73285	CRANKSHAFT	1	
3	BOLT	2	(ORDER AM116797)
4	LOCK WASHER	1	(ORDER AM116797)
5	AM103700	CONNECTING ROD	1	INCLUDES BOLTS
6	M73276	PIN	1	
7	M73277	PIN	2	
8	M73278	SPRING	1	
9	M73275	PLATE	1	AUTOMATIC COMPRESSION RELEASE
10	AM104188	CAMSHAFT	1	COMPLETE
11	PT12028	ARM	1	
12	24M7088	WASHER	1	6.600 X 12 X 1.600 MM
13	M88461	PIN	1	
14	PT9996	SLEEVE	1	
15	AM103705	GOVERNOR	1	
16	M95856	WASHER	1	(SUB FOR PT12218)
17	M73286	SPACER	1	
18	M70271	BOLT	1	
19	M118372	WASHER	1	(SUB FOR M70272)
20	OIL SLINGER	1	(ORDER AM109203)
21	SHAFT	1	(ORDER AM109203)
22	M118373	WASHER	1	
23	PT12316	DOWEL PIN	2	
24	M73307	WASHER	1	
25	M73309	BOLT	1	
26	M73308	SEAL	1	(E)
27	M73305	BOLT	6	
28	M73303	COVER	1	CRANKCASE
29	M73312	PLUG	1	
30	M97292	GASKET	1	(SUB FOR M73304)
31	M88478	O-RING	1	(E)
32	M77513	CLAMP	1	
33	M73971	BOLT	1	
34	M70105	FILLER NECK	1	

KEY	PART NO.	PART NAME	QTY	REMARKS
35	M88482	GASKET	1	(E)
36	M77512	DIPSTICK	1	WITH CAP
37	M71900	EXHAUST VALVE	1	
38	M73274	INTAKE VALVE	1	
39	M71901	SPRING	2	
40	M71902	PLATE	2	
41	M71903	TAPPET	2	
42	M73282	PISTON RING KIT	1	STANDARD
42	M73283	PISTON RING KIT	AR	OVERSIZE .25 MM (.01") (NO LONGER AVAILABLE)
42	M73284	PISTON RING KIT	AR	OVERSIZE .50 MM (.02")
43	M73279	PISTON	1	STANDARD
43	M73280	PISTON	AR	OVERSIZE .25 MM (.01") (NO LONGER AVAILABLE)
43	M73281	PISTON	AR	OVERSIZE .50 MM (.02")
44	PT12027	SNAP RING	2	
45	M71905	PISTON PIN	1	
46A	AM104031	HOSE	1	OIL DRAIN, (SUB AM107911 AND M76926)
46B	M76926	HOSE	1	(USE WITH DRAIN VALVE AM107911)
47A	M48867	PIPE PLUG	1	(USE WITH AM104031)
47B	AM107911	DRAIN VALVE	1	(USE WITH M76926 HOSE)
48	M77511	CLAMP	1	FUEL TANK TO FUEL FILTER LINE
49	AM116797	KIT	1	BOLT AND RETAINER, (SUB FOR (2) M71970 AND M71908)
50	AM109203	KIT	1	OIL SLINGER, (SUB FOR M73306, M70269 AND M70270)



MP5728

KEY	PART NO.	PART NAME	QTY	REMARKS
1	M71936	NUT	1	
2	M71937	WASHER	1	
3	M71940	PULLEY	1	AND SCREEN
4	M71941	SPACER	AR	
5	M77510	HOUSING	1	
6	19M7300	CAP SCREW	5	M6 X 10
7	M73314	FLYWHEEL	1	
8	19M7373	CAP SCREW	2	M5 X 20
9	M73315	ELECTRICAL COIL	1	IGNITION
10	PT10001	GROMMET	1	
11	PT9999	CAP	1	
12	PT10000	COVER	1	
13	M71939	SPARK PLUG	1	(NGK BMR6A)
14	M71938	GROMMET	1	
15	19M6614	CAP SCREW	2	M6 X 12
15	24M7274	WASHER	2	6 X 12 X 1 MM
16	M77514	HOUSING	1	
17	M73316	WIRING LEAD	1	
18	PT13723	IGNITOR	1	
19	PT11217	SLEEVE	AR	(SUB FOR M74047)
20	M77753	CLAMP	1	
21	21M7271	SCREW	2	M5 X 16

Thank you so much for reading.
Please click the “Buy Now!”
button below to download the
complete manual.



After you pay.

You can download the most
perfect and complete manual in
the world immediately.

Our support email:

ebooklibonline@outlook.com