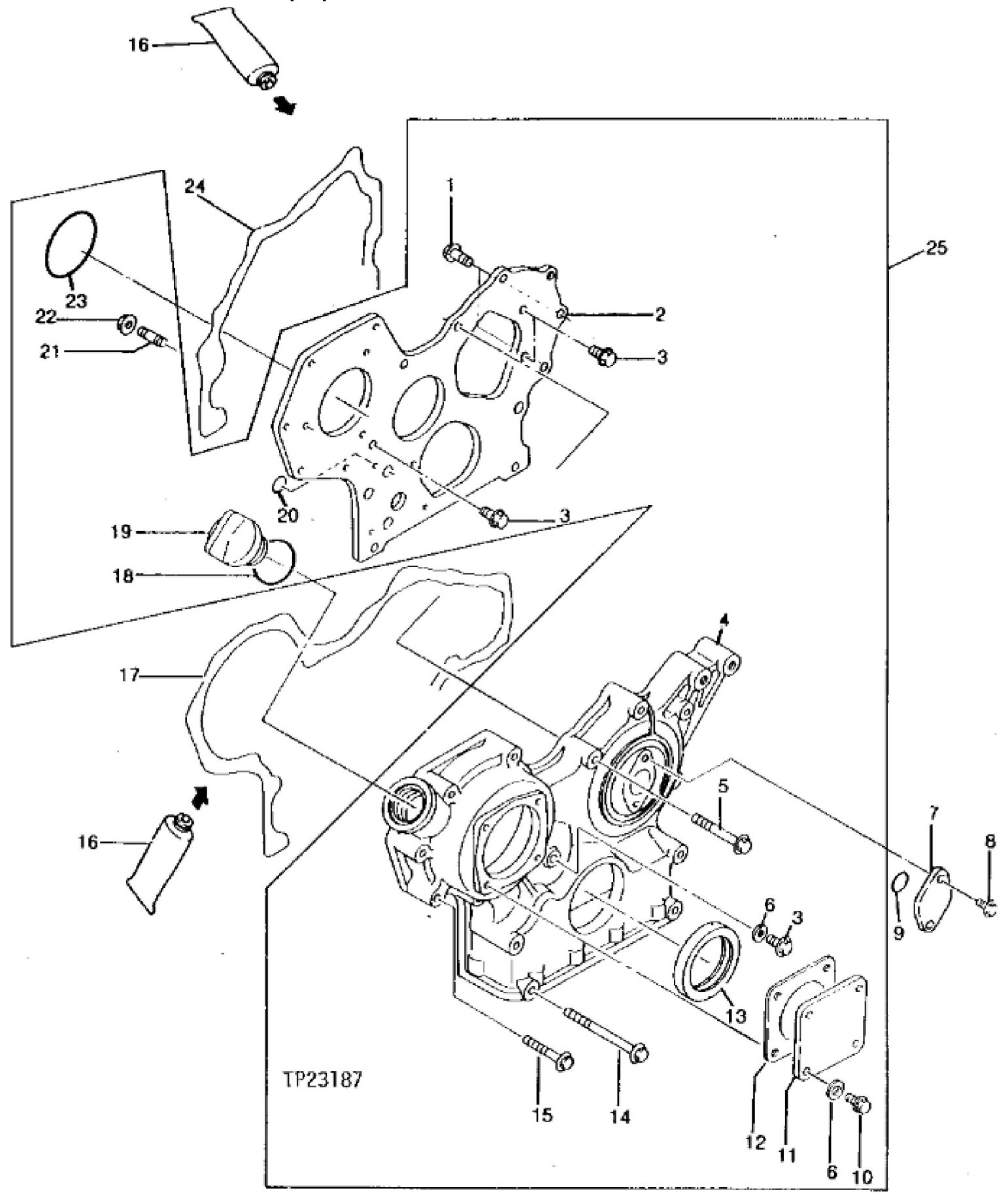
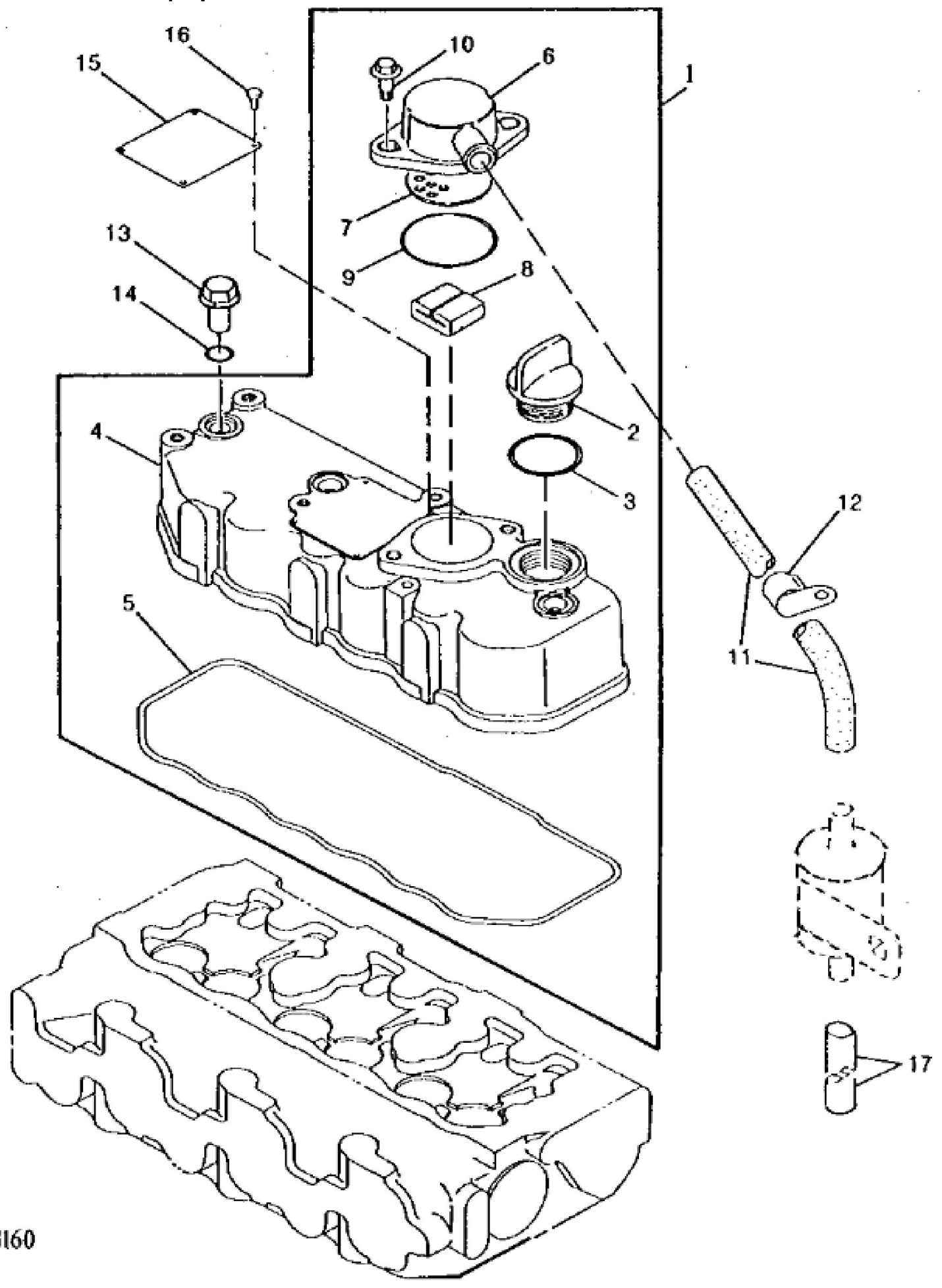


KEY	PART NO.	PART NAME	QTY	REMARKS	
1	AM875315	GEAR	1		
2	BUSHING	1	(SUB AM875315)	
3	GEAR	1	(SUB AM875315)	
4	M801050	BUSHING	1		

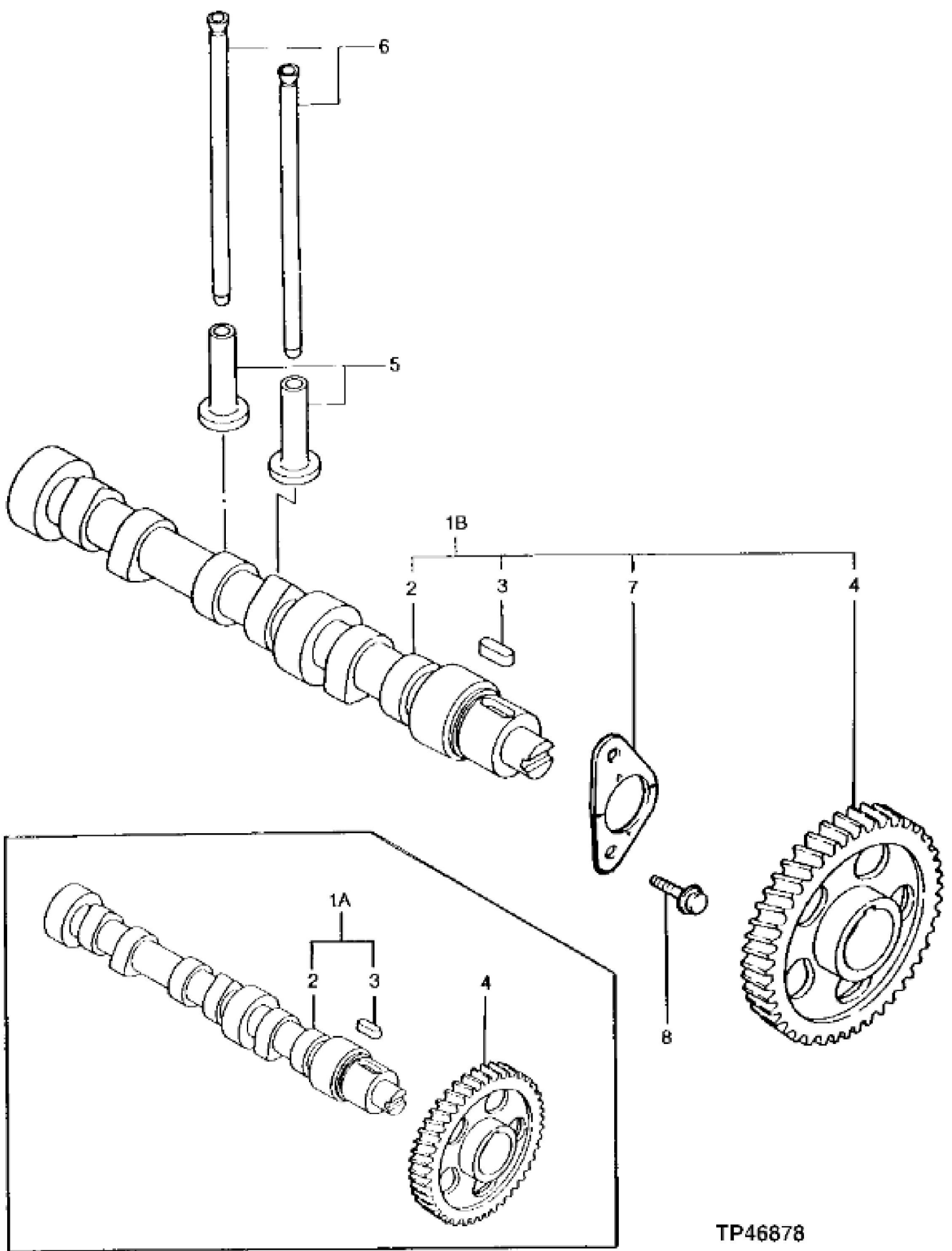


KEY	PART NO.	PART NAME	QTY	REMARKS
1	19M7866	BOLT	2	M8 X 20, (USE WITH AT110877)
1	19M7865	SCREW	4	M8 X 16, (USE WITH AM878200) (SUB FOR CH18390)
2	M800989	PLATE	1	
3	19M7865	SCREW	4	M8 X 16, (USE WITH AT110877)
3	19M7866	BOLT	AR	M8 X 20, (USE WITH AM878200) (SUB FOR CH19139)
4	AM875303	COVER	1	(INCLUDES ITEM 13)
5	19M7979	SCREW	3	M8 X 55, (SUB FOR CH19090)
6	M803523	WASHER	5	(SUB FOR CH10645 AND M806424)
7	M87874	COVER	1	
8	19M7774	SCREW	1	M6 X 12
9	CH17653	PACKING	1	
10	19M7864	SCREW	4	M8 X 12, (SUB FOR CH19137)
11	CH18096	COVER	1	
12	M805696	GASKET	1	(SUB FOR CH12816)
13	M800988	SEAL	1	
14	CH19136	BOLT	4	
15	CH19101	BOLT	6	
16	M64850	SEALANT	AR	
17	SEALANT	1	(MAKE FROM M64850)
18	M805711	PACKING	1	(SUB FOR CH15414)
19	M805710	FILLER CAP	1	(SUB FOR CH10332)
20	CH10570	PACKING	2	
21	CH15722	STUD	3	
22	14M7298	FLANGE NUT	3	M8, (SUB FOR CH18368)
23	CH16940	O-RING	1	
24	SEALANT	1	(MAKE FROM M64850)
25	AM878200	GEAR CASE	1	(SUB FOR AT110877)



TP23160

KEY	PART NO.	PART NAME	QTY	REMARKS	
1	AT110858	VALVE COVER	1		
2	M805710	FILLER CAP	1	(SUB FOR CH10332)	
3	M805711	PACKING	1	(SUB FOR CH15414)	
4	VALVE COVER	1	(SUB AT110858)	
5	M801741	PACKING	1		
6	M801031	CAP	1		
7	M801033	PLATE	1		
8	M801032	DEFLECTOR	1		
9	M801034	O-RING	1		
10	19M7865	SCREW	2	M8 X 16	
11	T114130	LINE	1		
12	M801038	CLAMP	1		
13	CH10348	NUT	3		
14	CH10568	O-RING	3		
15	LABEL	1	COMES WITH COMPLETE ENGINE	
16	CH10061	RIVET	4		
17	T114131	LINE	1		



TP46878

Thank you so much for reading.
Please click the “Buy Now!”
button below to download the
complete manual.



After you pay.

You can download the most
perfect and complete manual in
the world immediately.

Our support email:

ebooklibonline@outlook.com