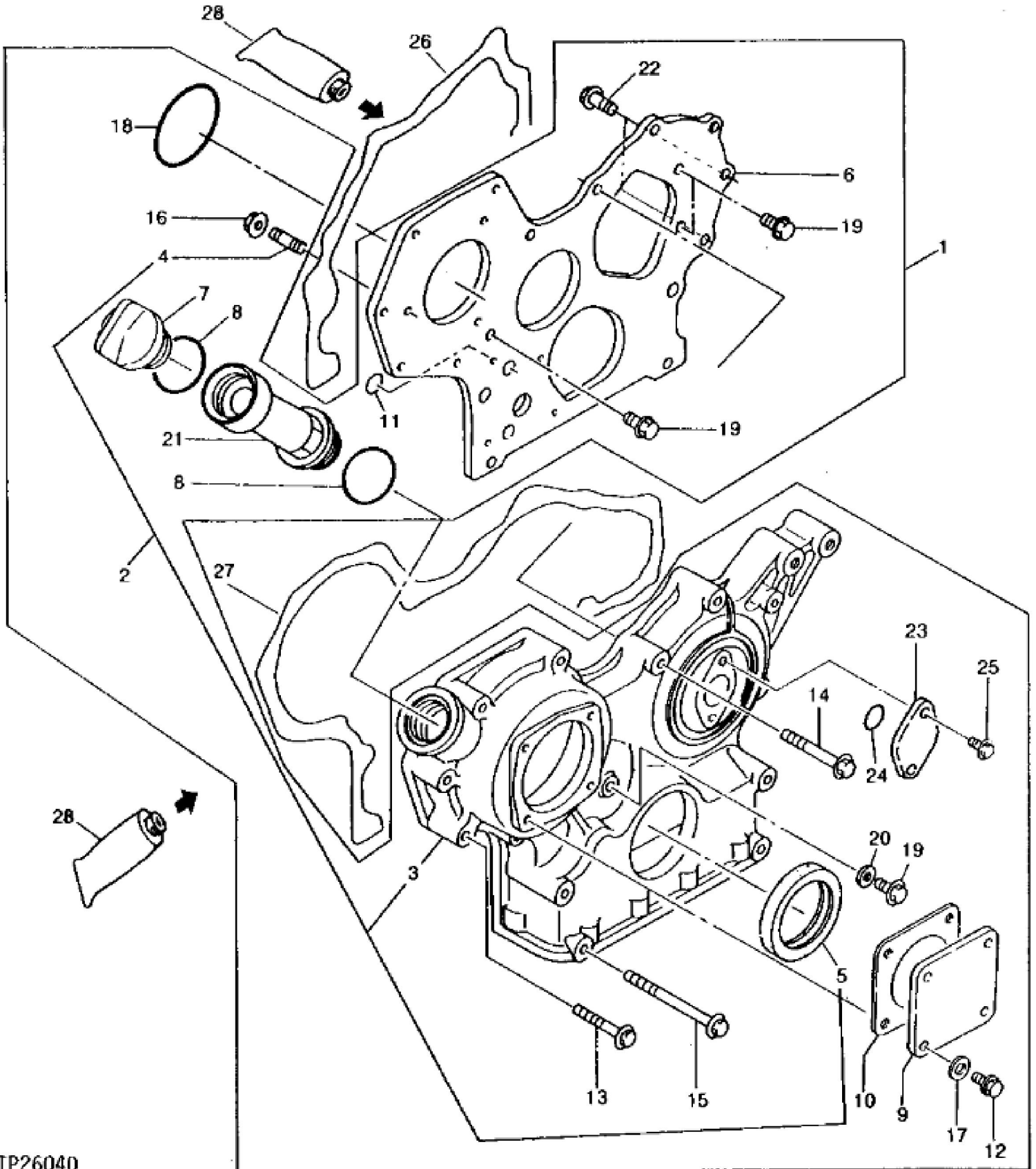


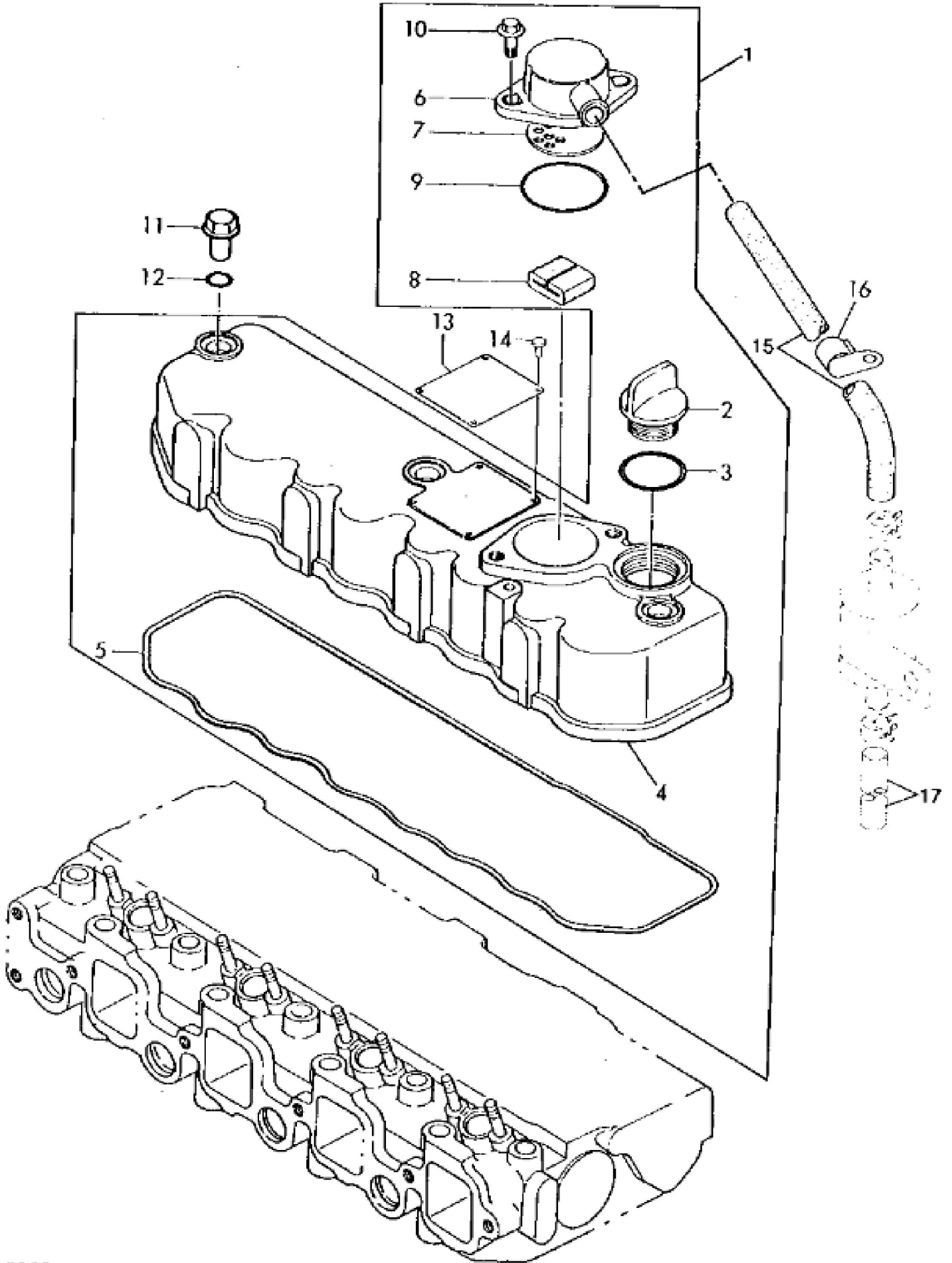
TP26042

KEY	PART NO.	PART NAME	QTY	REMARKS	
1	AM875315	GEAR	1		
2	BUSHING	1	(SUB AM875315)	
3	GEAR	1	(SUB AM875315)	
4	M801050	BUSHING	1	(REPAIR PART)	

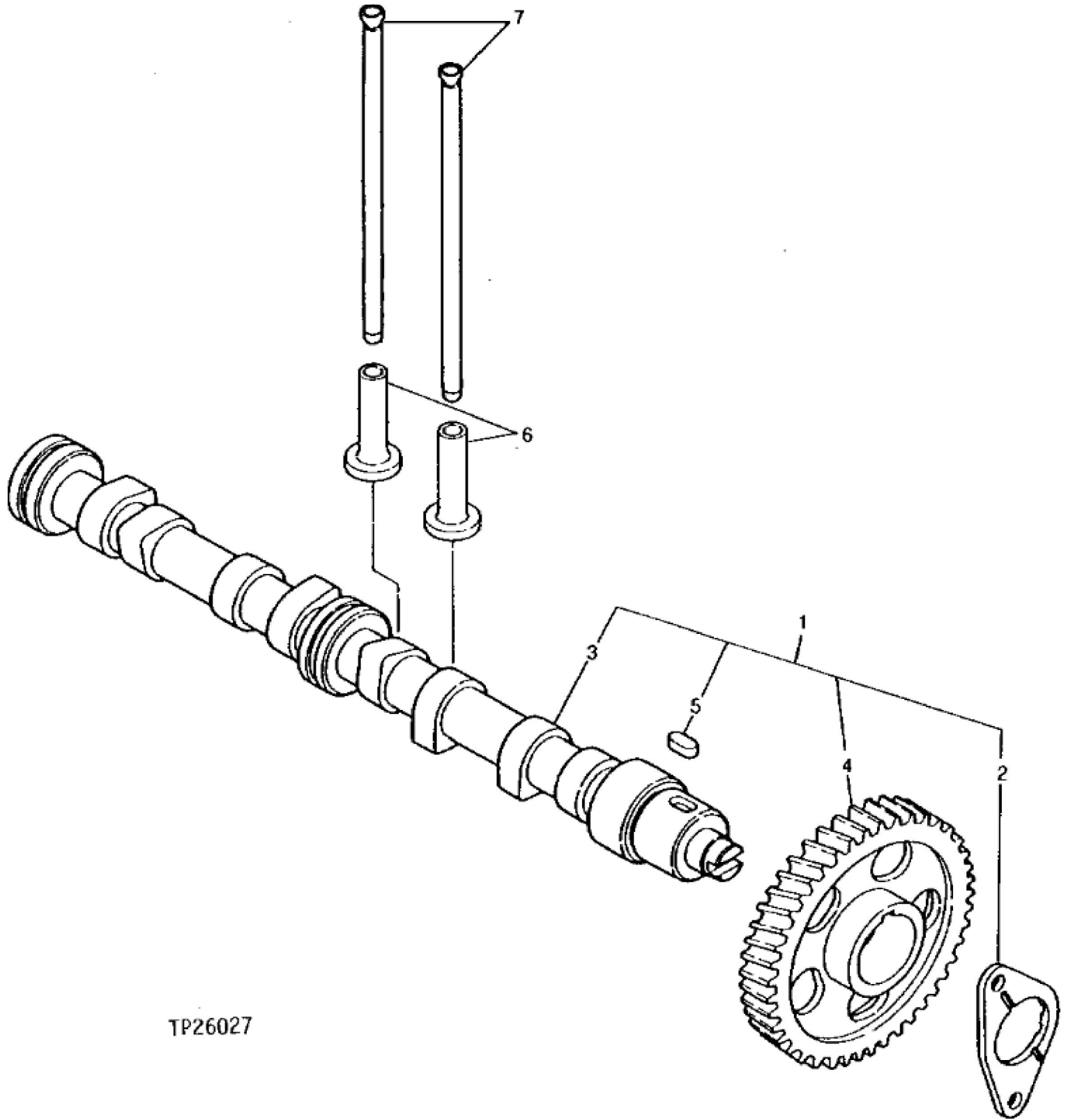


TP26040

KEY	PART NO.	PART NAME	QTY	REMARKS
1	AT110613	HOUSING	1	
2	AM875303	COVER	1	
3	COVER	1	(SUB AT110613)
4	CH15722	STUD	3	
5	M800988	SEAL	1	
6	M800989	PLATE	1	
7	M805710	FILLER CAP	1	(SUB FOR CH10332)
8	M805711	PACKING	2	(SUB FOR CH15414)
9	CH18096	COVER	1	
10	M805696	GASKET	1	(SUB FOR CH12816)
11	CH10570	PACKING	2	
12	CH19137	BOLT	4	
13	CH19101	BOLT	6	
14	CH19090	BOLT	3	
15	CH19136	BOLT	4	
16	14M7298	FLANGE NUT	3	M8
17	M803523	WASHER	4	(SUB FOR CH10645 AND M806424)
18	CH16940	O-RING	1	
19	19M7865	SCREW	4	M8 X 16
20	M803523	WASHER	1	(SUB FOR CH10645 AND M806424)
21	M800990	EXTENSION	1	
22	19M7866	SCREW	2	M8 X 20
23	M87874	COVER	1	
24	CH17653	PACKING	1	
25	19M7774	SCREW	2	M6 X 12
26	GASKET	1	(MAKE FROM M64850)
27	GASKET	1	(MAKE FROM M64850)
28	M64850	SEALANT	AR	



KEY	PART NO.	PART NAME	QTY	REMARKS	
1	RG60621	COVER	1	(SUB FOR AT110618)	
2	M805710	FILLER CAP	1	(SUB FOR CH10332)	
3	M805711	PACKING	1	(SUB FOR CH15414)	
4	VALVE COVER	1	(SUB RG60621)	
5	M801230	O-RING	1		
6	M801031	CAP	1		
7	M801033	PLATE	1		
8	M801032	DEFLECTOR	1		
9	M801034	O-RING	1		
10	19M7865	SCREW	2	M8 X 16	
11	CH10348	NUT	3		
12	CH10568	O-RING	3		
13	LABEL	1	COMES WITH COMPLETE ENGINE	
14	CH10061	RIVET	4		
15	T114132	PIPE	1		
16	M801038	CLAMP	1		
17	T114133	PIPE	1		



TP26027

Thank you so much for reading.
Please click the “Buy Now!”
button below to download the
complete manual.



After you pay.

You can download the most
perfect and complete manual in
the world immediately.

Our support email:

ebooklibonline@outlook.com