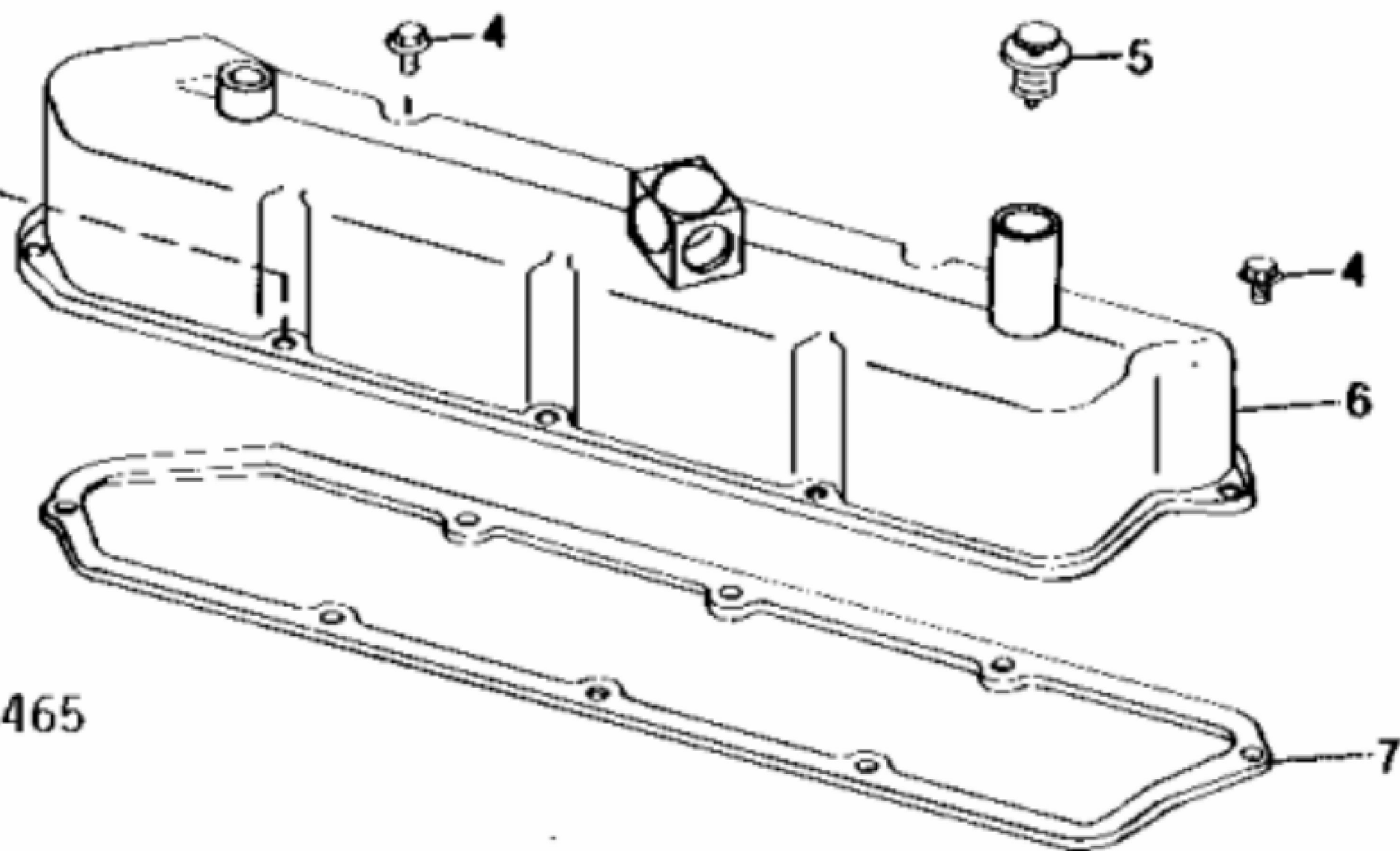
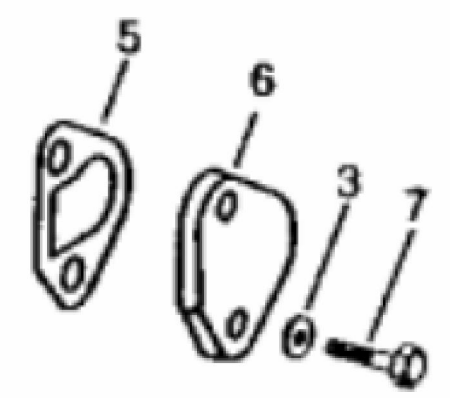
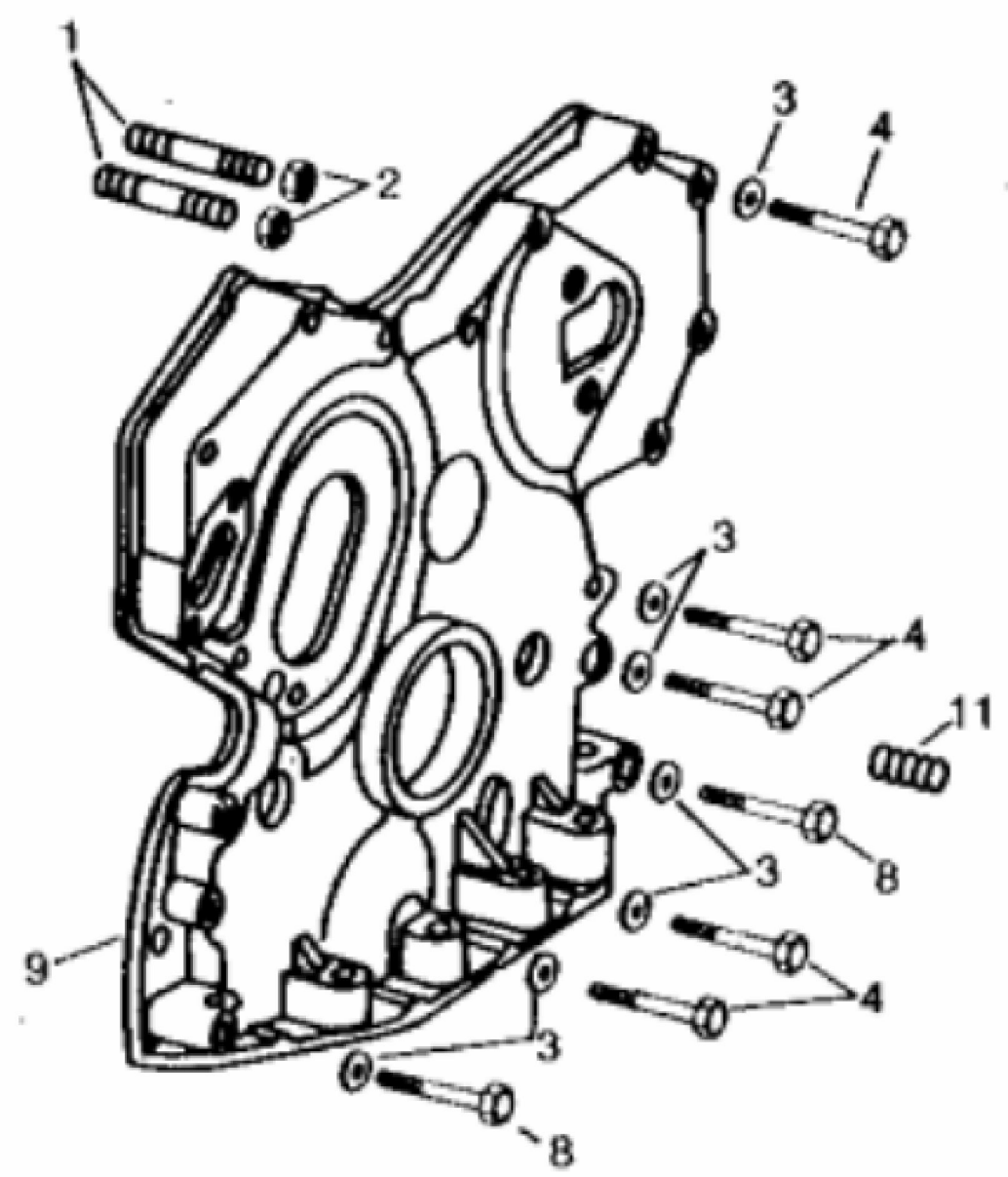
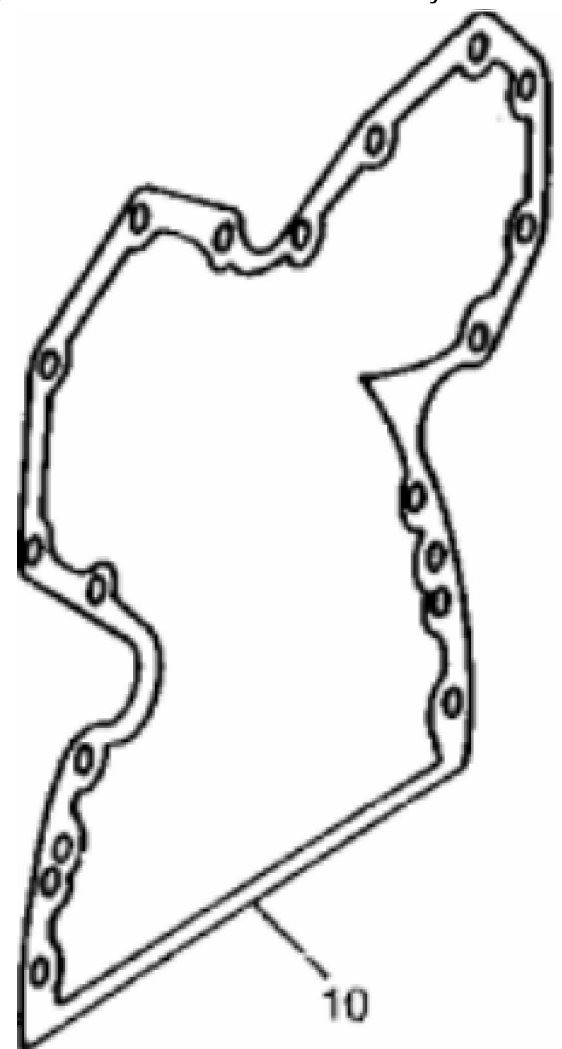


- 1 - Bolt
- 2 - Washer
- 3 - Washer



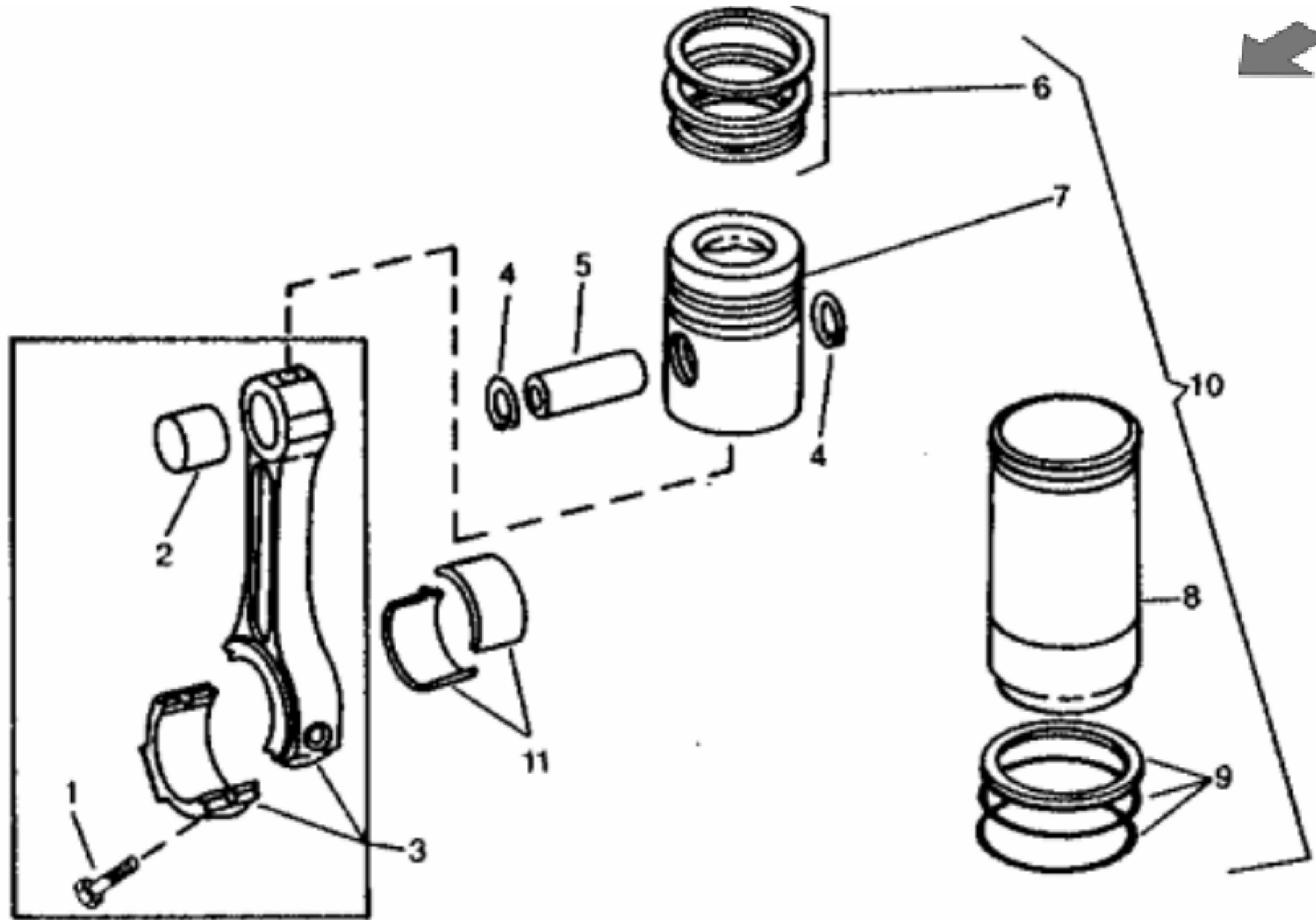
TP16465

KEY	PART NO.	PART NAME	QTY	REMARKS	
1	19H2036	CAP SCREW	1	1/4" X 7/8"	
2	12H302	LOCK WASHER	1	1/4"	
3	R64764	WASHER	1	6.756 X 15.875 X 4.750 MM (17/64" X 5/8" X 3/16")	
4	AR103811	SCREW WITH WASHER	8	(SUB FOR AR100124)	
5	AR65864	FILLER CAP	1		
6	AR71130	VALVE COVER	1		
7	R73521	GASKET	1		



TP19500

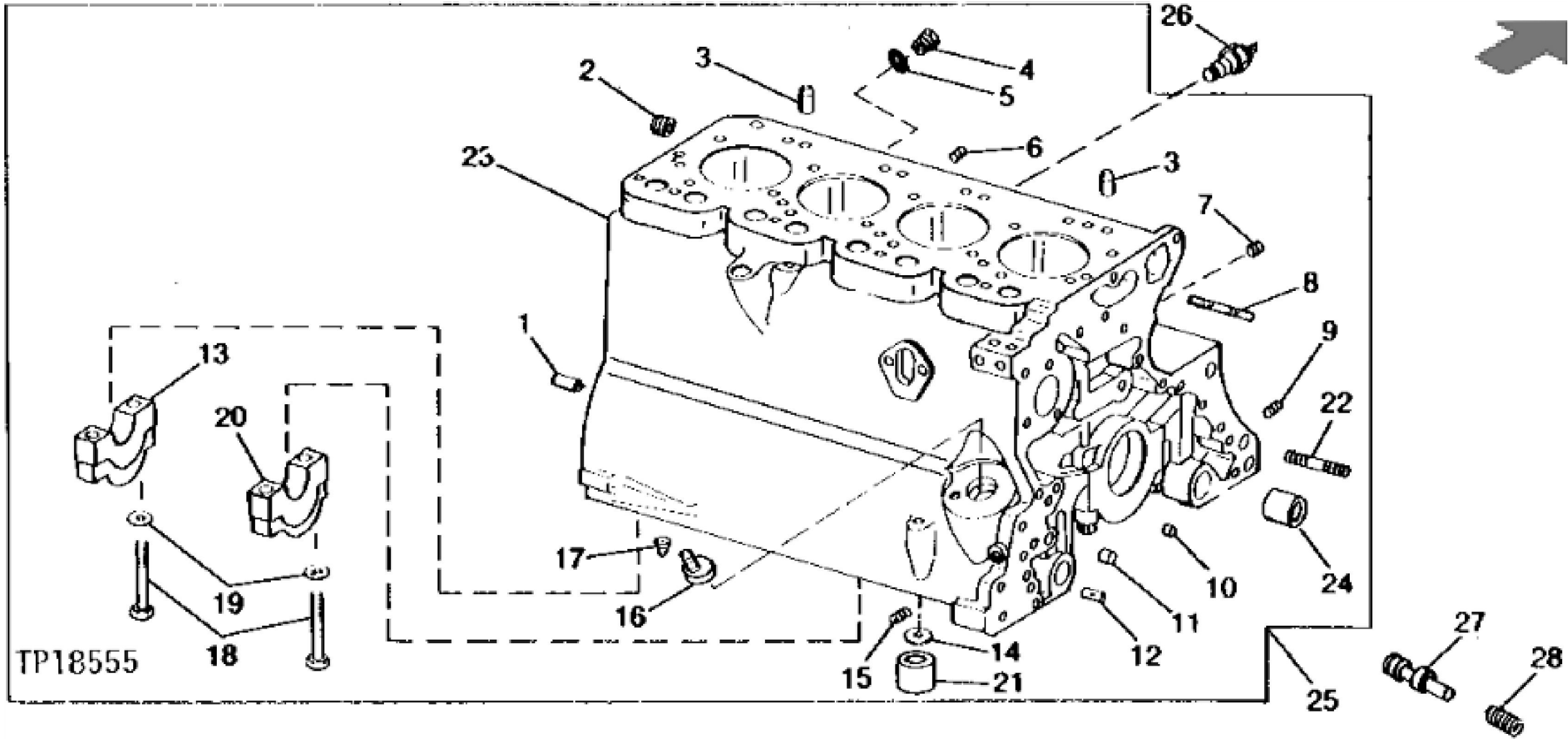
KEY	PART NO.	PART NAME	QTY	Engine Serial No.	REMARKS
1	R122226	STUD	2		(SUB FOR R122226)
2	N10215	LOCK NUT	2		3/8", (SUB FOR 14H812, THIS APPLICATION)
2	24M7106	WASHER	AR		10 X 18 X 2.500 MM
3	24M7106	WASHER	AR		10 X 18 X 2.500 MM
4	19H3408	SCREW	5		3/8" X 1-3/4"
4	19H3693	SCREW	5		3/8" X 1-1/4"
5	R125066	GASKET	1		(SUB FOR R78366 OR R97773)
6	R126041	COVER	1		(SUB FOR T20362)
7	R124277	CAP SCREW	2		(SUB FOR R122618, THIS APPLICATION)
8	19H3733	SCREW	2		3/8" X 2-1/2"
9A	RE39252	COVER	1	____-426683	WITH INSERTS, (SUB FOR RE27895)
9B	RE56443	COVER	1	426684-____	
10	R126513	GASKET	1		(SUB FOR T20155, R97454, R119269 OR R121314)
11	19H1819	CAP SCREW	1	426684-____	3/8" X 2-1/8"



TP2835



KEY	PART NO.	PART NAME	QTY	REMARKS
1	R80033	CAP SCREW	8	11.125 X 59 MM (7/16" X 2.323")
2	R55647	BUSHING	4	
3	RE21076	PITMAN	4	(MARKED R80034)
3	SE500747	CONNECTING ROD REMAN	4	(REMANUFACTURED)
4	M41029	SNAP RING	8	
5	R125754	PISTON PIN	4	(SUB FOR R51731)
6	RE507852	PISTON RING KIT	4	(SUB FOR (4) RE15674, RE48818, RE66820)
7	.....	PISTON	4	(SUB RE30250) ( RE19282 NO LONGER AVAILABLE)
8	R51726	CYLINDER LINER	4	(SUB RE30250)
9	AR65507	O-RING KIT	4	
10	RE30250	KIT	4	(SUB FOR RE24458)
11	RE27348	BEARING KIT	4	(SUB FOR AT21138) STANDARD (SET OF (2) T20011)
11	.....	BEARING	4	( AT21122 NO LONGER AVAILABLE) 0.05 MM (.002") UNDERSIZE (SET OF (2) T23566)
11	RE27349	KIT	4	(SUB FOR AT21124) 0.25 MM (.010") UNDERSIZE (SET OF (2) T23568)
11	RE27358	KIT	4	(SUB FOR AT21126) 0.51 MM (.020") UNDERSIZE (SET OF (2) T23570)
11	RE27364	BEARING KIT	4	(SUB FOR AT21128) 0.76 MM (.030") UNDERSIZE (SET OF (2) T23572)



Thank you so much for reading.  
Please click the “Buy Now!”  
button below to download the  
complete manual.



After you pay.

You can download the most  
perfect and complete manual in  
the world immediately.

Our support email:

[ebooklibonline@outlook.com](mailto:ebooklibonline@outlook.com)