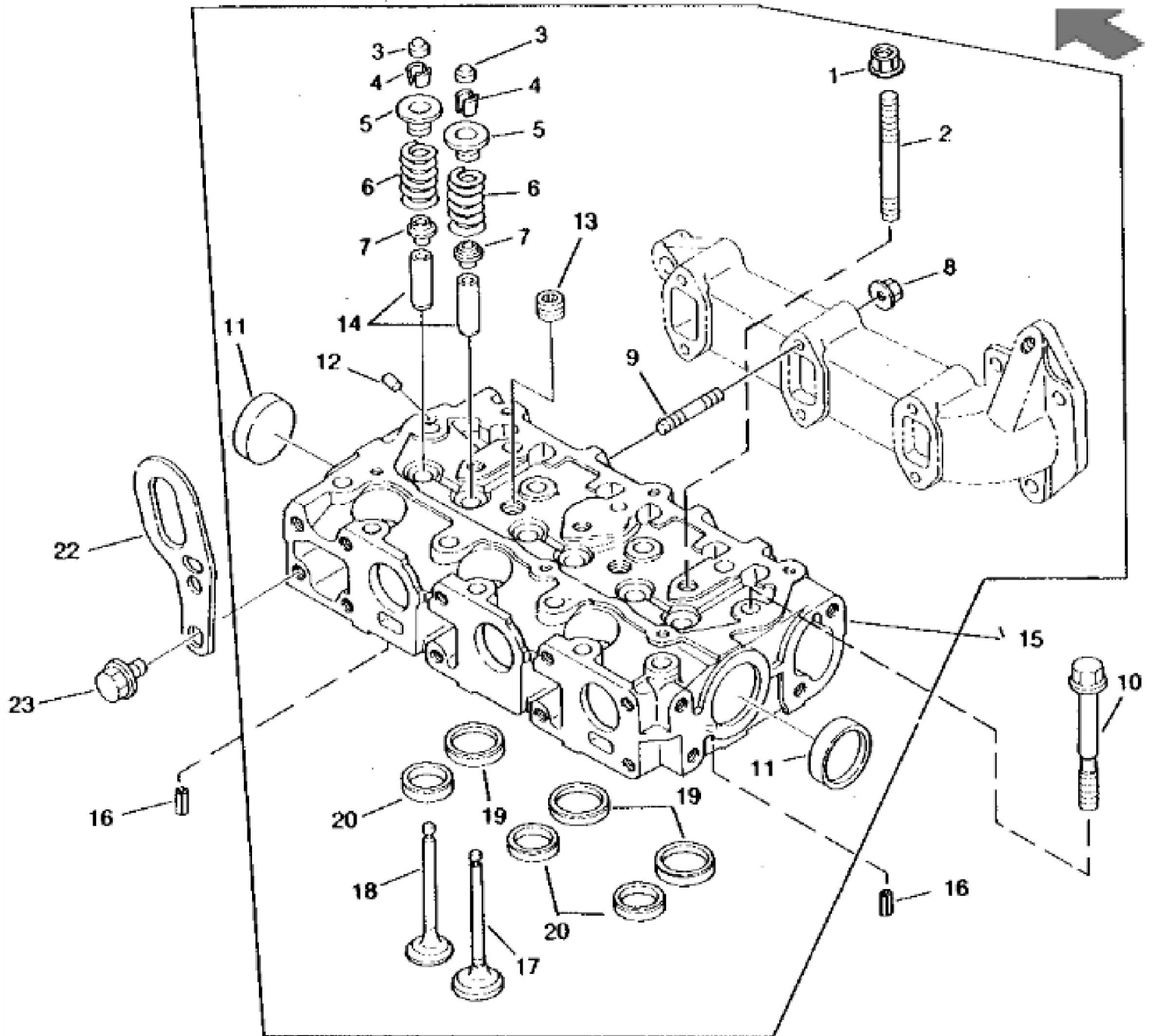
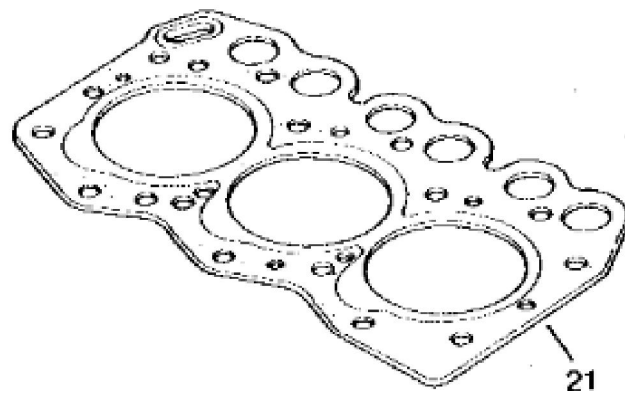


MP5672

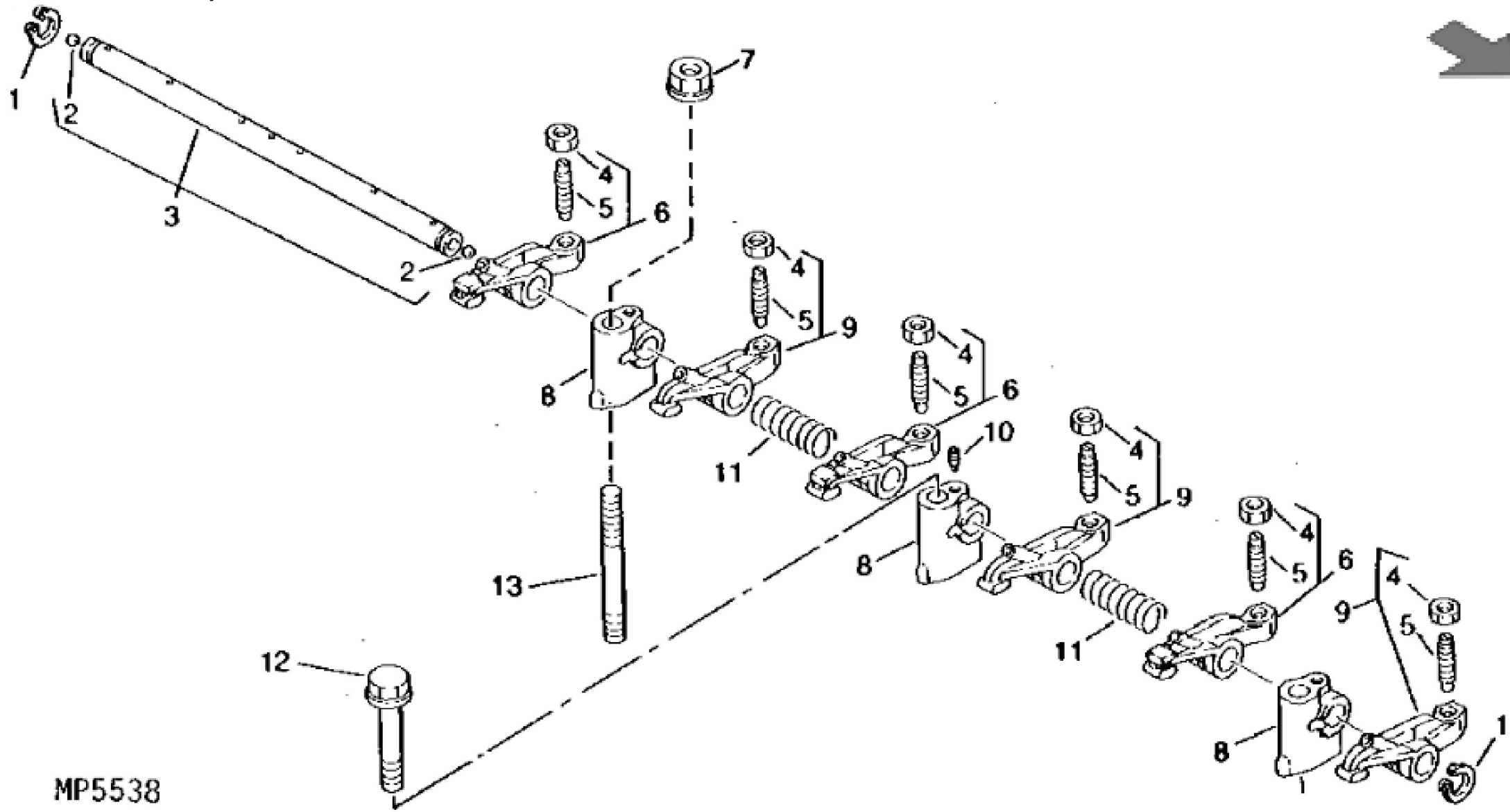
KEY	PART NO.	PART NAME	QTY	Serial No.	REMARKS
1	M87810	FLANGE	1		
2	19M7774	SCREW	2		M6 X 12
3	CH10568	PACKING	2		
4	CH10642	PLUG	2		
5	CH10640	PLUG	1		
6	CH17101	PLUG	4		
7	M800013	BUSHING	1		CAMSHAFT
8	M800006	DOWEL PIN	2		
9	M800002	PLUG	2		
10	M89140	SHAFT	1		IDLE GEAR
11	19M7774	SCREW	3		M6 X 12
12	M89139	PLATE	1		IDLE GEAR SHAFT
13	CH16769	SNAP RING	1		STANDARD
14	AM875059	BEARING KIT	4		STANDARD
14	AM875026	BEARING KIT	4		.25MM UNDERSIZE
15	M800012	BOLT	8		
16	M802493	GUIDE	1		DIPSTICK (ENG. S.N. -001807)
16	M802492	GUIDE	1		DIPSTICK (ENG. S.N. 001808-)
17	CH10571	PACKING	1		
18	M802257	DIPSTICK	1		(ENG. S.N. -001807)
18	M802491	DIPSTICK	1		(ENG. S.N. 001808-)
19	CH15478	PLUG	1		
20	CH10314	PLUG	2		
21	AM100800	DRAIN VALVE	1		(INCLUDES COCK BODY AND VALVE)
22	M802254	PIN	2		
23	M802255	PIN	2		
24	CH15500	SWITCH	1		OIL PRESSURE
25	AM875060	BEARING KIT	2		
26	M88089	BOLT	1		
27	AM876029	CYLINDER BLOCK	1		
..	AM104225	ENGINE	1	____-011160	(NOT AVAILABLE) (SUB AM108219)
..	AM108219	ENGINE	1	011161-____	



MP4926

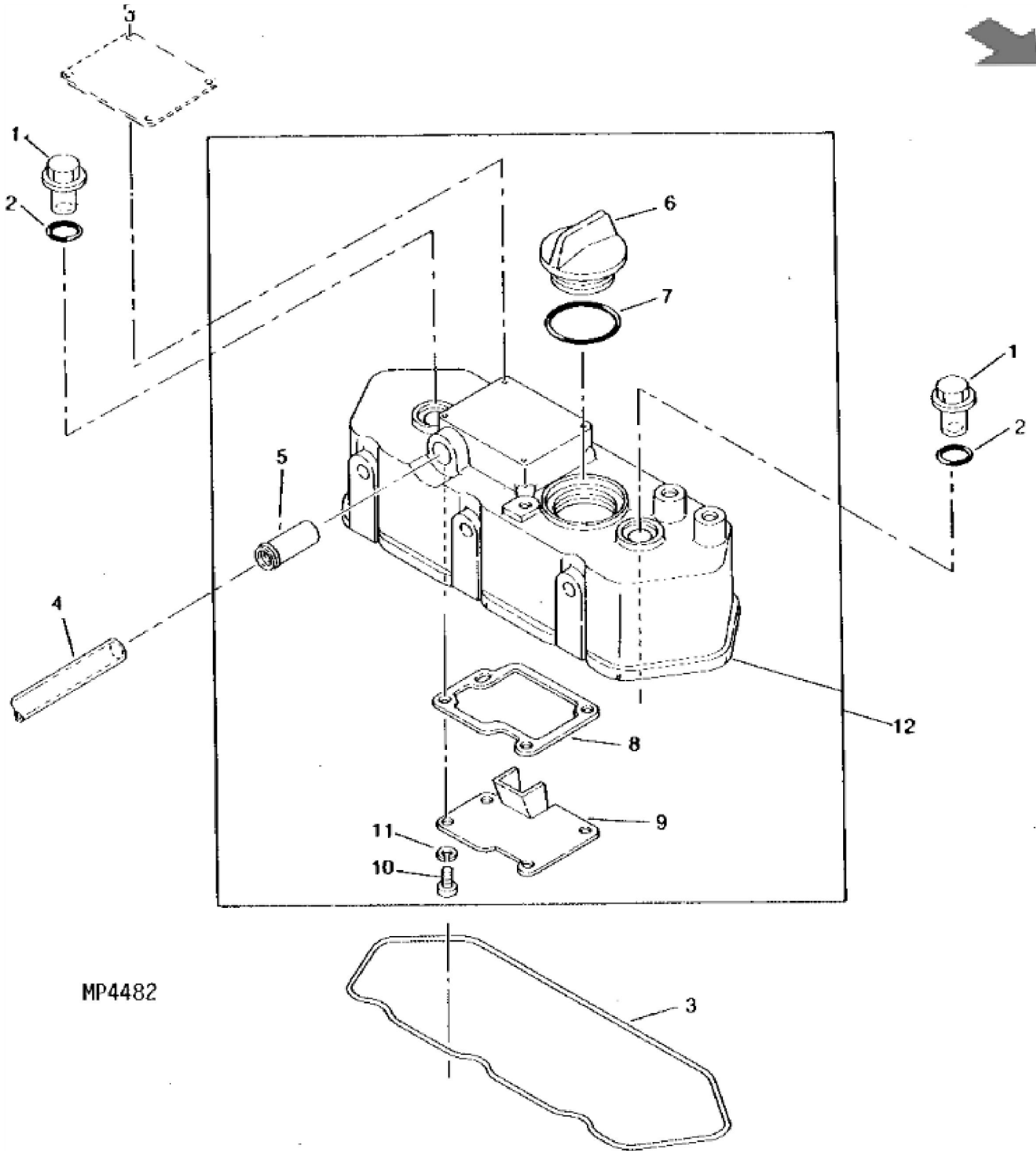


KEY	PART NO.	PART NAME	QTY	REMARKS	
1	14M7298	FLANGE NUT	2	M8	
2	M87836	STUD	2	ARM SUPPORT	
3	M800023	CAP	6		
4	M800021	RETAINER	12		
5	M800020	HOLDER	6		
6	M800019	SPRING	6		
7	M800022	SEAL	6	VALVE STEM	
8	14M7303	FLANGE NUT	2	M6	
9	M800034	STUD	2		
10	M800003	BOLT	14		
11	CH17438	PLUG	2		
12	M87831	PLUG	1		
13	CH16747	PLUG	2		
14	M800067	GUIDE	6		
15	AM876167	CYLINDER HEAD	1		
16	CH18079	SPRING PIN	2		
17	M800017	INTAKE VALVE	3		
18	M802058	EXHAUST VALVE	3		
19	M802056	VALVE SEAT INSERT	3	INTAKE	
20	M802057	VALVE SEAT INSERT	3	EXHAUST	
21	M802050	GASKET	1	(BETWEEN CYLINDER HEAD AND BLOCK)	
22	M800066	BRACKET	1		
23	19M7865	SCREW	2	M8 X 16	



MP5538

KEY	PART NO.	PART NAME	QTY	REMARKS	
1	CH17950	RING	2		
2	R63075	BALL	2	(SUB FOR CH18341)	
3	AM875002	ROCKER ARM SHAFT	1		
4	14M7194	NUT	6	M6	
5	M87841	SCREW	6		
6	AM875029	ROCKER ARM	3	EXHAUST	
7	14M7298	FLANGE NUT	2	M8	
8	M800024	SUPPORT	3		
9	AM875028	ROCKER ARM	3	INTAKE	
10	M800069	SELF-LOCKING SCREW	1		
11	M800025	SPRING	2		
12	CH19101	BOLT	1		
13	M87836	STUD	2		



MP4482

Thank you so much for reading.
Please click the “Buy Now!”
button below to download the
complete manual.



After you pay.

You can download the most
perfect and complete manual in
the world immediately.

Our support email:

ebooklibonline@outlook.com