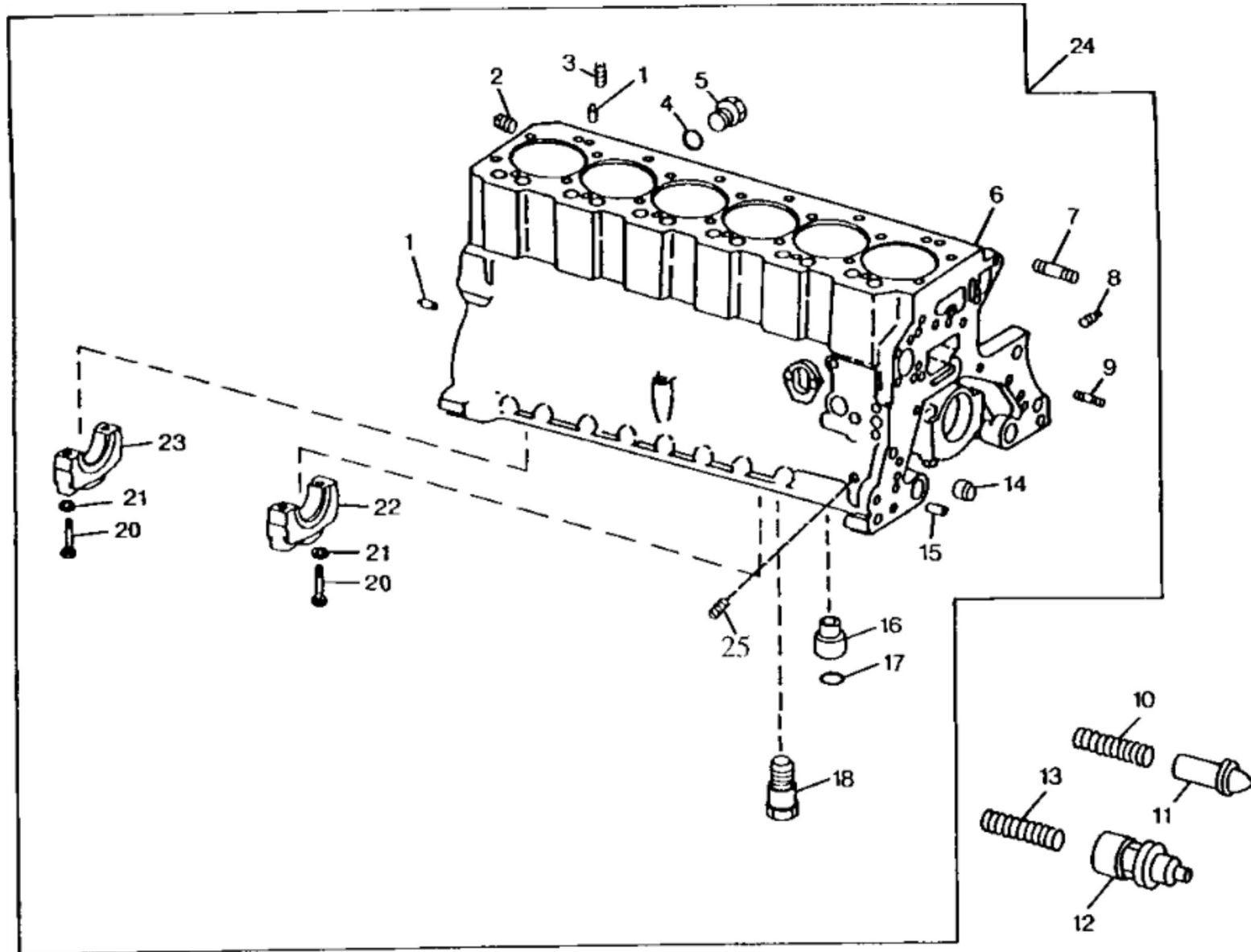


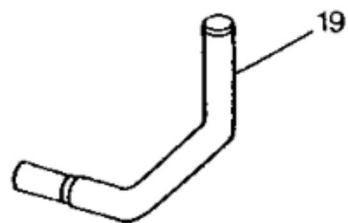


John Deere > Construction And Forestry > EXCAVATOR > 690DR - EXCAVATOR > 690D and 690DR Excavators, 693D Feller Buncher > 4 ENGINE 4 > CYLINDER BLOCK 0404 > 0404-1 - CYLINDER BLOCK AND MAIN BEARING CAPS [01E18]

KEY	PART NO.	PART NAME	QTY	690D	693D	690DR	REMARKS
1	15H562	PIPE PLUG	1	X	X	X	1"
2	R48685	DOWEL PIN	2	X	X	X	
3	.....	CYLINDER BLOCK	1	X	X	X	
4	R55233	PIPE PLUG	1	X	X	X	
5	R39741	DRAIN PLUG	1	X	X	X	(WITHOUT ENGINE COOLANT HEATER)
6	U13639	O-RING	1	X	X	X	(WITHOUT ENGINE COOLANT HEATER)
7	R104592	PIPE PLUG	7	X	X	X	(SUB FOR 15H558, THIS APPLICATION)
8	R122226	STUD	1	X	X	X	(SUB FOR R122226)
9	R122226	STUD	1	X	X	X	(SUB FOR R122226)
10	T18891	PLUG	2	X	X	X	
11	R26650	DOWEL PIN	2	X	X	X	
12	R65215	BEARING CAP	6	X	X	X	
13	T20168	WASHER	14	X	X	X	
14	T23474	CAP SCREW	14	X	X	X	
15	R79089	CAP	1	X	X	X	
16	R54802	ORIFICE	6	X	X	X	
17	R48685	DOWEL PIN	1	X	X	X	
18	RE31656	CYLINDER BLOCK	1	X	X	X	(MARKED R90171, R112871 OR R124853) (SUB FOR RE25614) (MARKED R78557) (SUB RE50677) (ALSO ORDER R83169, T27658, R111135, R111137 AND R112867)

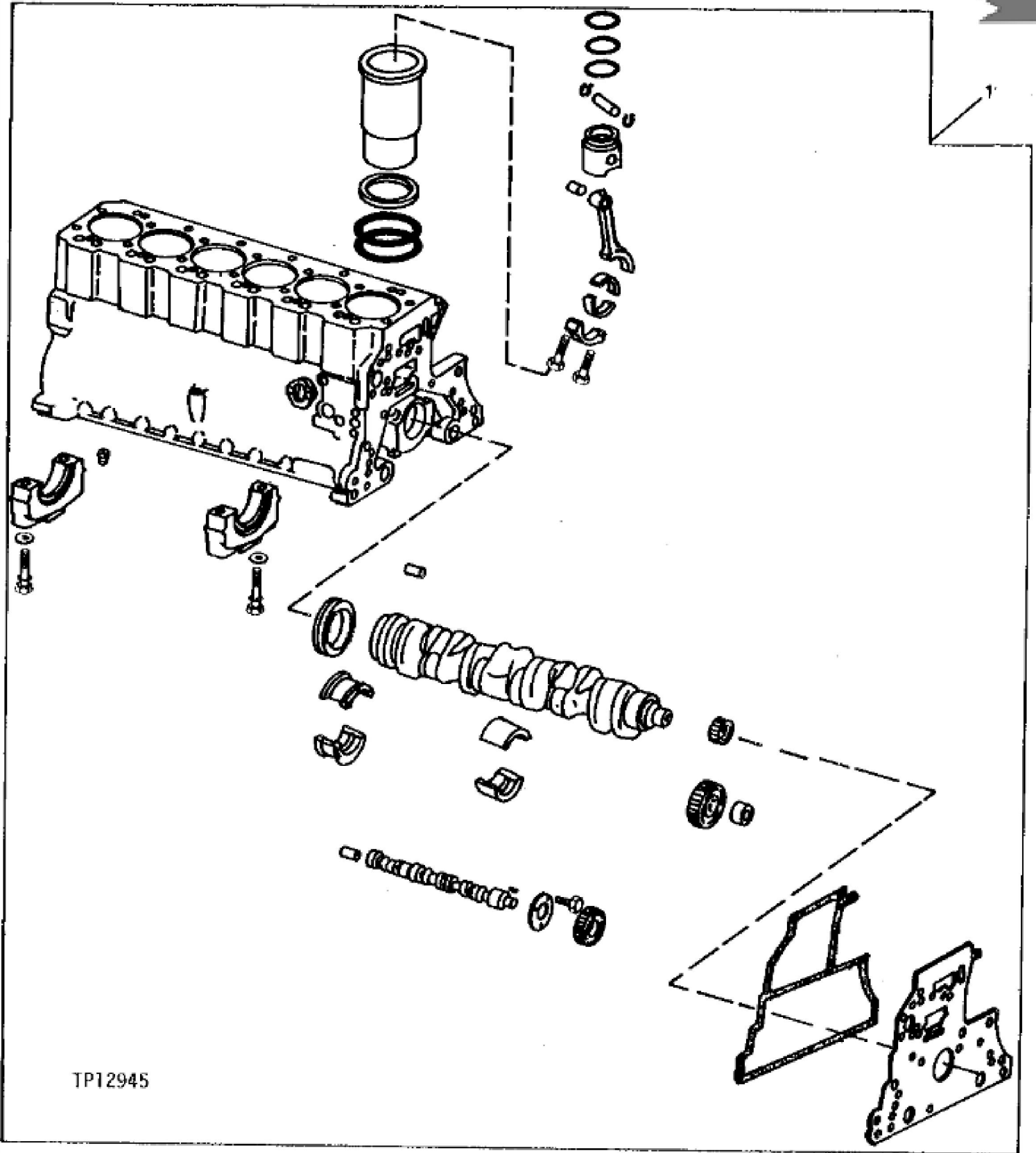


TP46341



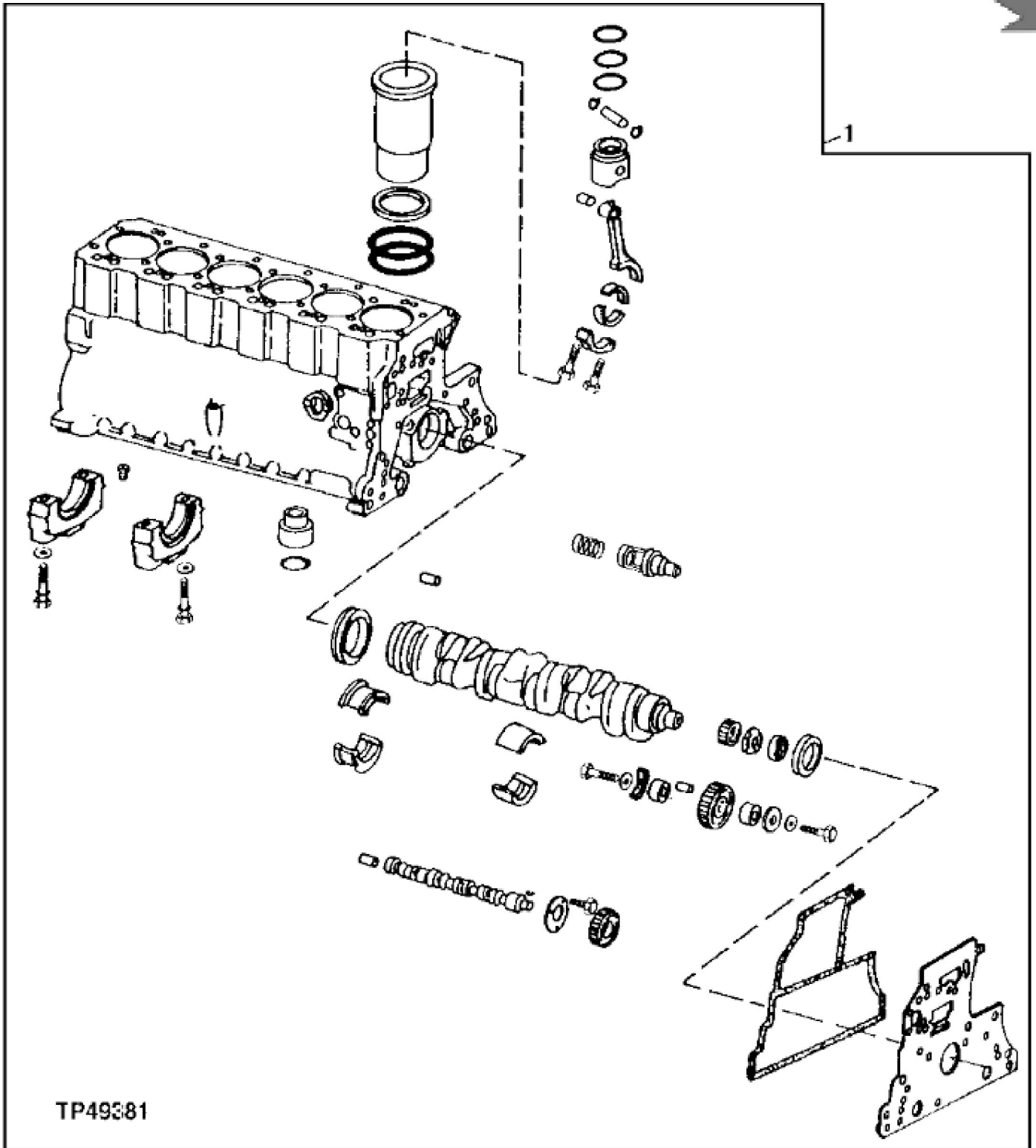
John Deere > Construction And Forestry > EXCAVATOR > 690DR - EXCAVATOR > 690D and 690DR Excavators, 693D Feller Buncher > 4 ENGINE 4 > CYLINDER BLOCK 0404 > 0404-2 - REPLACEMENT  
 CYLINDER BLOCK AND MAIN BEARING CAP [01E19]

KEY	PART NO.	PART NAME	QTY	690D	693D	690DR	REMARKS
1	R48685	DOWEL PIN	4	X	X	X	
2	15H562	PIPE PLUG	1	X	X	X	1"
3	RE57836	PIPE PLUG	1	X	X	X	1/2", (SUB FOR 15H624)
4	U13639	O-RING	1	X	X	X	
5	R39741	DRAIN PLUG	1	X	X	X	
6	.....	CYLINDER BLOCK	1	X	X	X	
7	R122226	STUD	2	X	X	X	(SUB FOR R122226)
8	R104592	PIPE PLUG	7	X	X	X	
9	T25701	STUD	1	X	X	X	
10	T27658	SPRING	1	X	X	X	
11	R83169	VALVE	1	X	X	X	
12	R111135	VALVE	1	X	X	X	
13	R111137	SPRING	1	X	X	X	
14	R26493	BUSHING	1	X	X	X	OIL PRESSURE RELIEF VALVE
15	R26650	DOWEL PIN	2	X	X	X	
16	R115390	BUSHING	1	X	X	X	
17	R97185	O-RING	1	X	X	X	(OIL PUMP TUBE)
18	R54802	ORIFICE	6	X	X	X	
19	R112867	OIL TUBE	1	X	X	X	
20	T23474	CAP SCREW	14	X	X	X	
21	T20168	WASHER	14	X	X	X	
22	R65215	BEARING CAP	6	X	X	X	MAIN BEARING
23	R79089	CAP	1	X	X	X	MAIN BEARING
24	RE50677	CYLINDER BLOCK	1	X	X	X	(MARKED R83169, R112871 OR R124853) (ALSO ORDER R83169, T27658, R111135, R111137 AND R112867)
25	15H623	PIPE PLUG	AR				3/8"



TP12945

KEY	PART NO.	PART NAME	QTY	Engine Serial No.	690D	693D	690DR	REMARKS
1	RE31657	SHORT BLOCK ASSEMBLY	1	____-299999	X	X	X	(MARKED R90171) (SUB FOR RE25612, MARKED R78557) (SUB RE60843) (ALSO ORDER R83169, T27658, R112867) (6414)
1	RE50684	SHORT BLOCK ASSEMBLY	1	300000-____	X	X	X	(SUB RE60845) (MARKED R112871 OR R124853) (6068)



Thank you so much for reading.  
Please click the “Buy Now!”  
button below to download the  
complete manual.



After you pay.

You can download the most  
perfect and complete manual in  
the world immediately.

Our support email:

[ebooklibonline@outlook.com](mailto:ebooklibonline@outlook.com)