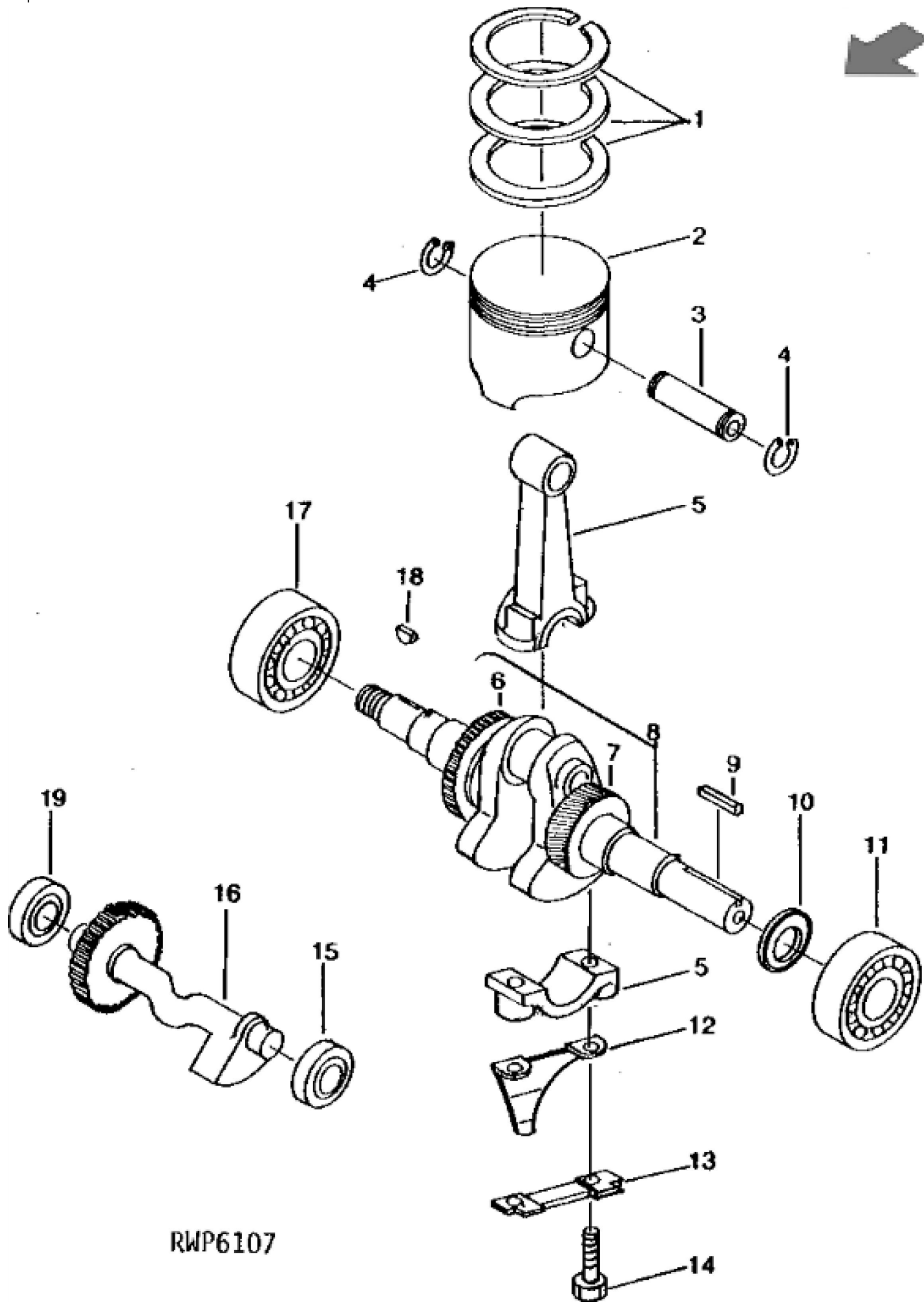


WP2517

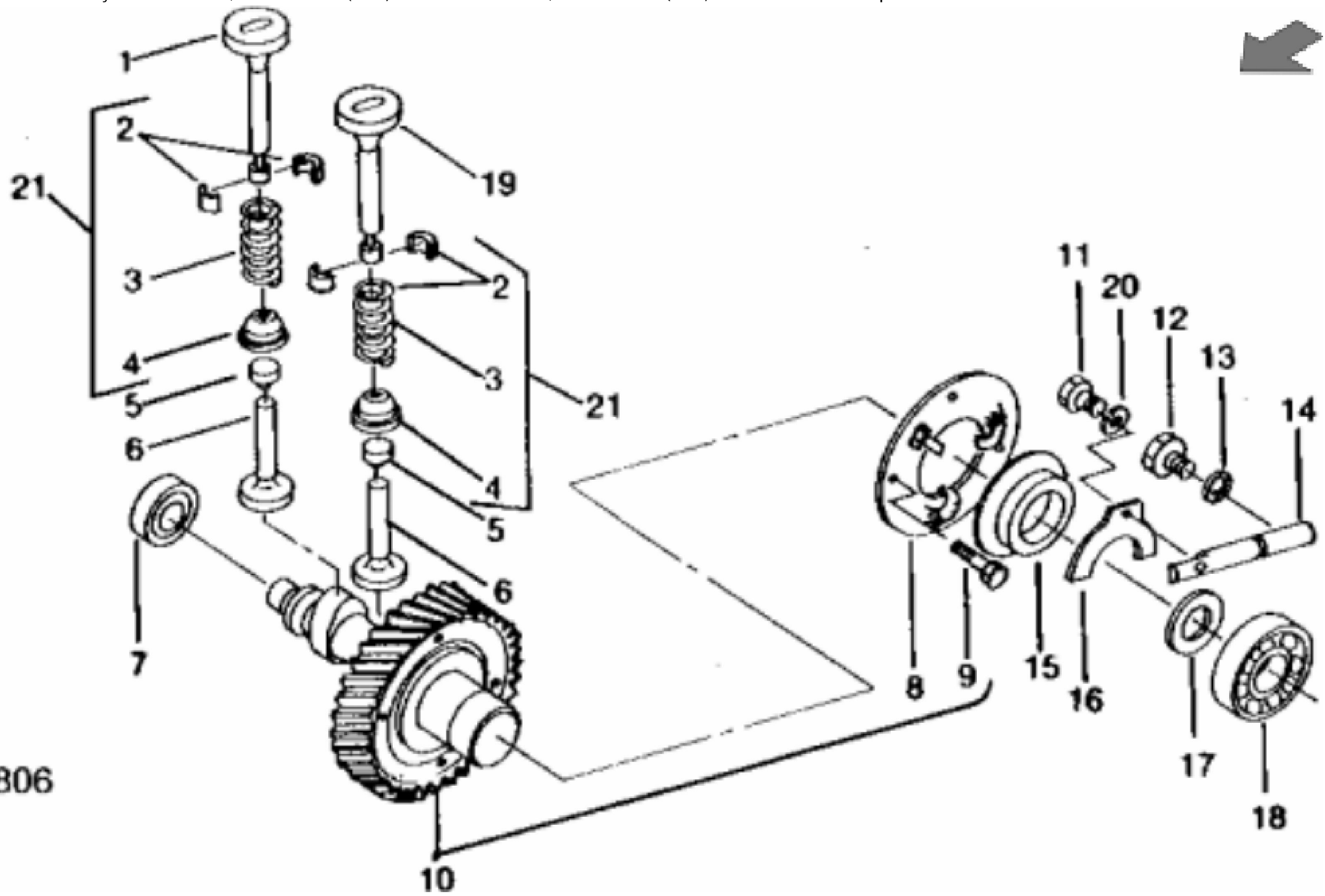
KEY	PART NO.	PART NAME	QTY	Serial No.	REMARKS
1	19M6614	CAP SCREW	7		M6 X 12
2	24M7088	WASHER	7		6.600 X 12 X 1.600 mm
3	PT13891	NUT	1		(SUB FOR R91425)
4	R91182	COVER	1		
5	24M7095	WASHER	7		8.400 X 15 X 1.600 mm
6	M78923	CYLINDER HEAD	1		(SUB FOR PT13873)
7	M70281	STUD	1		(SUB 19M7295)
8	M68144	STUD	2		NLA; ORDER MIU11949
9	M121981	GASKET	1		NLA; SUB FOR PT14137
10	14M7274	NUT	6		M10
11	24M7096	WASHER	6		10.500 X 18 X 1.600 mm
12	PT13957	GASKET	1		NLA
13	PT13956	COVER	1		
14	PT14136	GASKET	1		NLA
15	PT13874	BOLT	1		
16	19M6614	CAP SCREW	2		M6 X 12
17	R91427	COVER	1		
18	M121562	GASKET	1		(SUB FOR R91428)
19	PT13909	ENGINE CYLINDER HEAD GASKET	1		
20	M121548	GASKET	1		(NLA) (SUB FOR PT13955)
21	PT13962	PLATE	1		
22	PT13882	STUD	1		
23	R91426	CRANKCASE	1		
24	M88450	DOWEL PIN	2		
25	PT14012	GASKET	1		(SUB M97291)
26	R91216	BASE	1		
27	PT14082	DRAIN PLUG	1		
28	R91217	PLUG	1		
29	R91214	SEAL	2		NLA
30	M70076	CLAMP	1		
31	PT13876	GASKET	1		
31	M113678	GASKET	1		
31	M76158	GASKET	1		
31	M88482	GASKET	1		
32	PT14207	DRAIN PLUG	1		

KEY	PART NO.	PART NAME	QTY	Serial No.	REMARKS
33	PT12198	O-RING	1		(SUB FOR PT10377)
34	PT13925	DIPSTICK	1		(NLA)
35	R91211	BASE	1		
36	19M6614	CAP SCREW	4		M6 X 12
37	21M7420	SCREW	4		M6 X 16, (SUB FOR R91437)
38	R91435	HOLDER	1		
39	PT13883	STUD	5		
40	R91183	COVER	1		
41	PT13954	CYLINDER	1		
42	19M7295	CAP SCREW	6		M8 X 45
43	PT14083	DRAIN PLUG	1		
44	12H303	LOCK WASHER	2		5/16"
45	14M7273	NUT	2		M8
46	19M7323	CAP SCREW	10		M8 X 40
47	24M7095	WASHER	10		8.400 X 15 X 1.600 mm
..	RE28752	GASOLINE ENGINE	1	____-118372	(SUB AM108820)
..	RE32980	GASOLINE ENGINE	1	118373-____	(SUB AM108820)
..	AM108820	SHORT BLOCK ASSEMBLY	1		



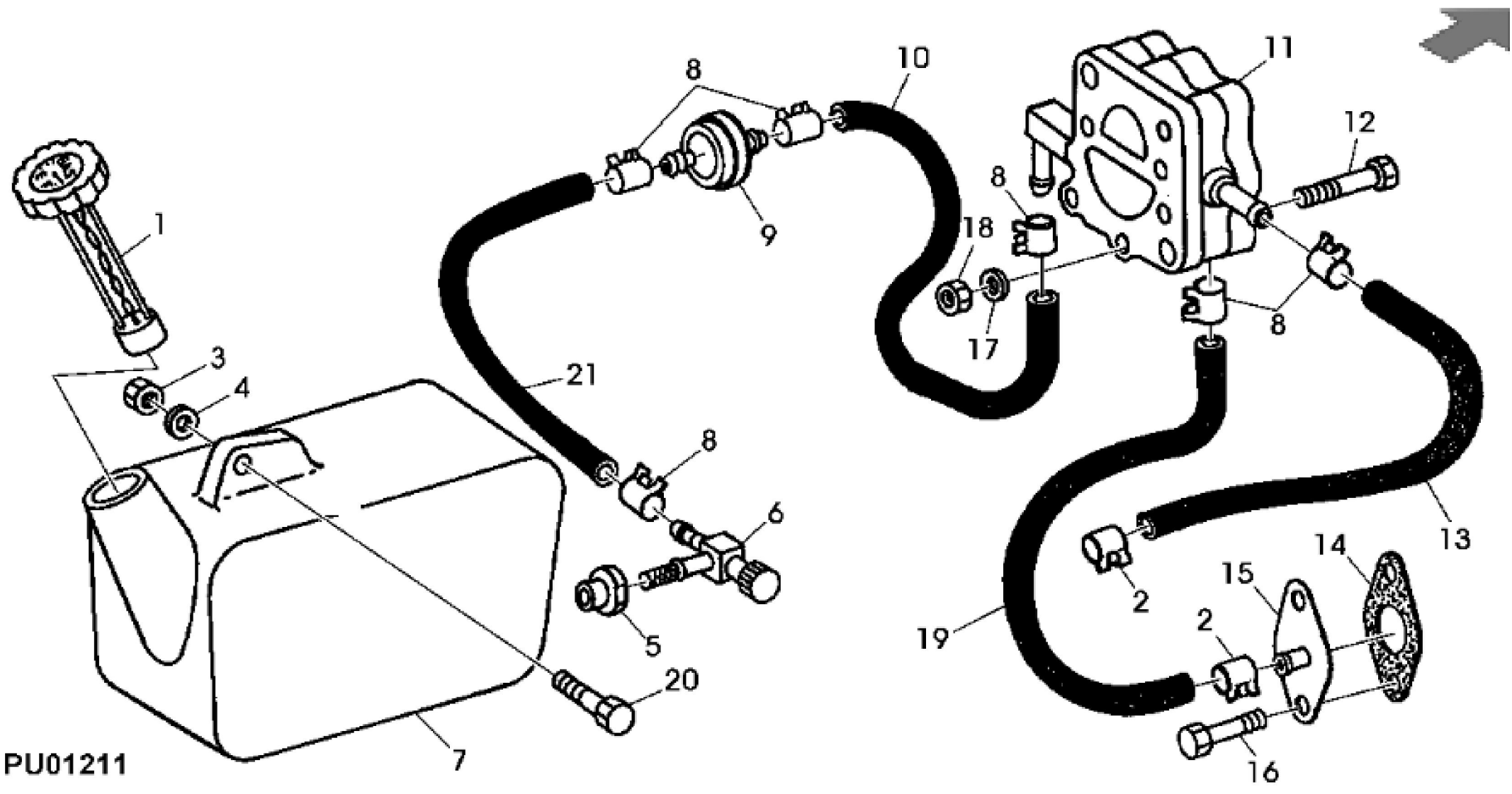
RWP6107

KEY	PART NO.	PART NAME	QTY	REMARKS
1	PT13993	PISTON RING KIT	1	STANDARD
1	PT13911	PISTON RING KIT	AR	0.25 MM (0.010"), OVERSIZE
1	PT13912	PISTON RING KIT	AR	0.50 MM (0.020"), (NLA) OVERSIZE
2	PT13994	PISTON	1	STANDARD
2	PT13913	PISTON	AR	0.25 MM (0.010"), OVERSIZE
2	PT13914	PISTON	AR	0.50 MM (0.020"), (NLA) OVERSIZE
3	PT13995	PISTON PIN	1	NLA
4	PT13893	SNAP RING	2	
5	PT14004	CONNECTING ROD	1	
6	PT14008	GEAR	1	
6	M88487	SHAFT KEY	1	NLA; SUB M77843
7	PT13996	GEAR	1	
7	M88487	SHAFT KEY	1	NLA; SUB M77843
8	RE30565	CRANKSHAFT	1	
9	R91209	KEY	1	
10	AM106652	SHIM	1	CONTAINS SHIMS FROM 1.05 MM (0.004") TO 1.70 MM (0.067") THICK
11	M70233	BEARING	1	(SUB CH15035)
12	PT14006	ARM	1	NLA
13	PT14005	LOCK WASHER	1	NLA
14	PT14037	BOLT	2	NLA
15	M800496	BALL BEARING	1	(SUB FOR PT14205)
16	PT14007	BALANCER	1	
17	M70233	BEARING	1	(SUB CH15035)
18	M88487	SHAFT KEY	1	NLA; SUB M77843
19	PT10382	BALL BEARING	1	(SUB M802355)
20	AM116775	ARM KIT	1	NLA; Not Illustrated; INCLUDES PT14005, PT14006 and PT14037



WP2806

KEY	PART NO.	PART NAME	QTY	Serial No.	REMARKS
1	PT14036	EXHAUST VALVE	1		(NLA)
2	M78929	RETAINER	4		(SUB FOR PT13895) (SUB AM116773)
3	PT13905	SPRING	2		(SUB AM116773)
4	PT13896	PLATE	2		(SUB AM116773)
5	AM106592	CAP KIT	1		CONTAINS CAPS FROM 2.70 MM (.106") TO 3.65 MM (.144") THICK
6	PT13964	TAPPET	2		
7	M800496	BALL BEARING	1		(SUB FOR PT14205)
8	GOVERNOR	1	____-118372	(12) WEIGHTS, (SUB RE32787 AND R93021)
8	RE32787	GOVERNOR	1	118373-____	(6) WEIGHTS
9	21M7265	SCREW	3		M5 X 12, (ALSO ORDER (3) 12M7064)
10	AW26676	GEAR	1		
11	21M1247	SCREW	2		M4 X 8
12	PT10191	BOLT	1		NLA
13	PT10059	GASKET	1		
14	PT14016	SHAFT	1		
15	PT14014	SLEEVE	1		
16	PT14015	ARM	1		
17	AM106593	SHIM	1		CONTAINS SHIMS FROM 1.05 MM (0.040") TO 1.70 MM (0.067") THICK
18	CH14887	BALL BEARING	1		(SUB FOR PT12196)
19	PT13963	INTAKE VALVE	1		
20	12M7063	LOCK WASHER	2		4 mm
21	AM116773	VALVE KIT	2		



PU01211

Thank you so much for reading.
Please click the “Buy Now!”
button below to download the
complete manual.



After you pay.

You can download the most
perfect and complete manual in
the world immediately.

Our support email:

ebooklibonline@outlook.com