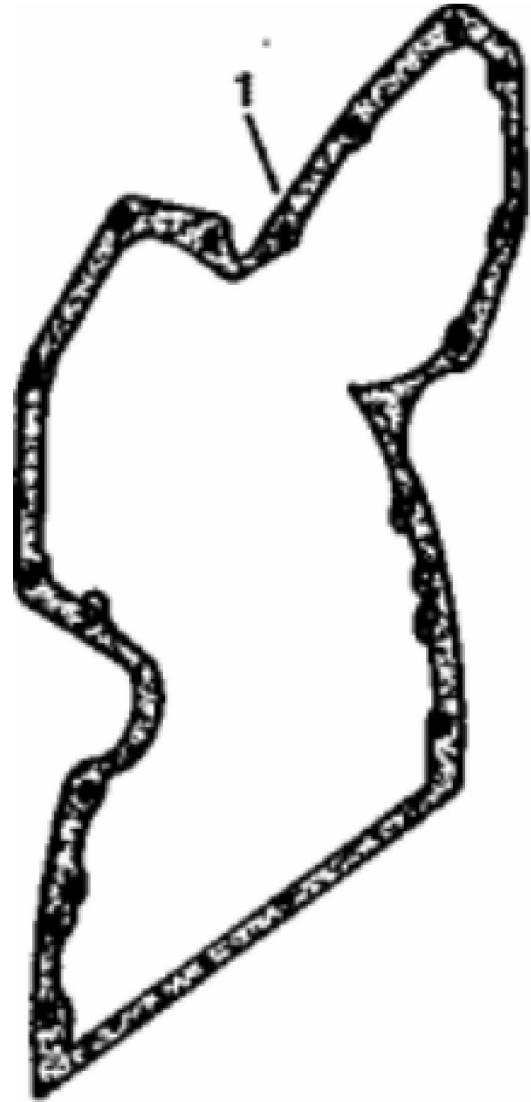


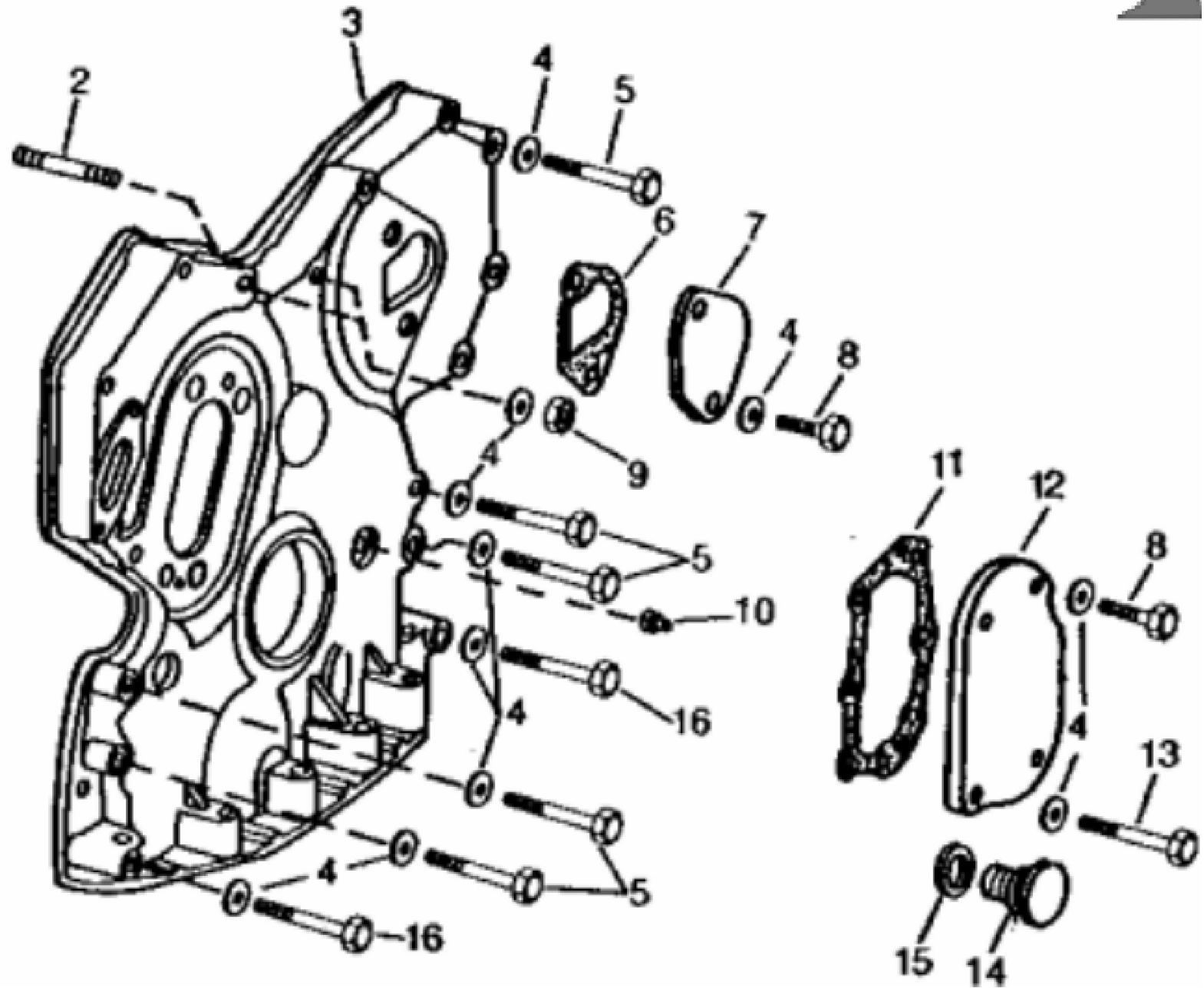
TP62370

ACTUATING MEANS >ST401804 - ROCKER ARM COVER AND ENGINE OIL FILLER CAP (ENGINE SERIAL NO. 742460-)

KEY	PART NO.	PART NAME	QTY	REMARKS
1	H23125	PLUG	4	
2	R123574	NUT	1	
3	R123575	O-RING	4	
4	R116324	MEDALLION	1	
5	RE70041	ADAPTER FITTING	1	
6	R502902	PACKING	1	(SUB FOR R500001)
7	RE70401	VALVE COVER	1	
8	R123542	GASKET	1	
9	TY22470	CLAMP	3	(SUB FOR AR21840, THIS APPLICATION)
10	T161308	HOSE	1	
11	R120864	DIPSTICK TUBE	1	
12	RE500250	FILLER CAP	1	

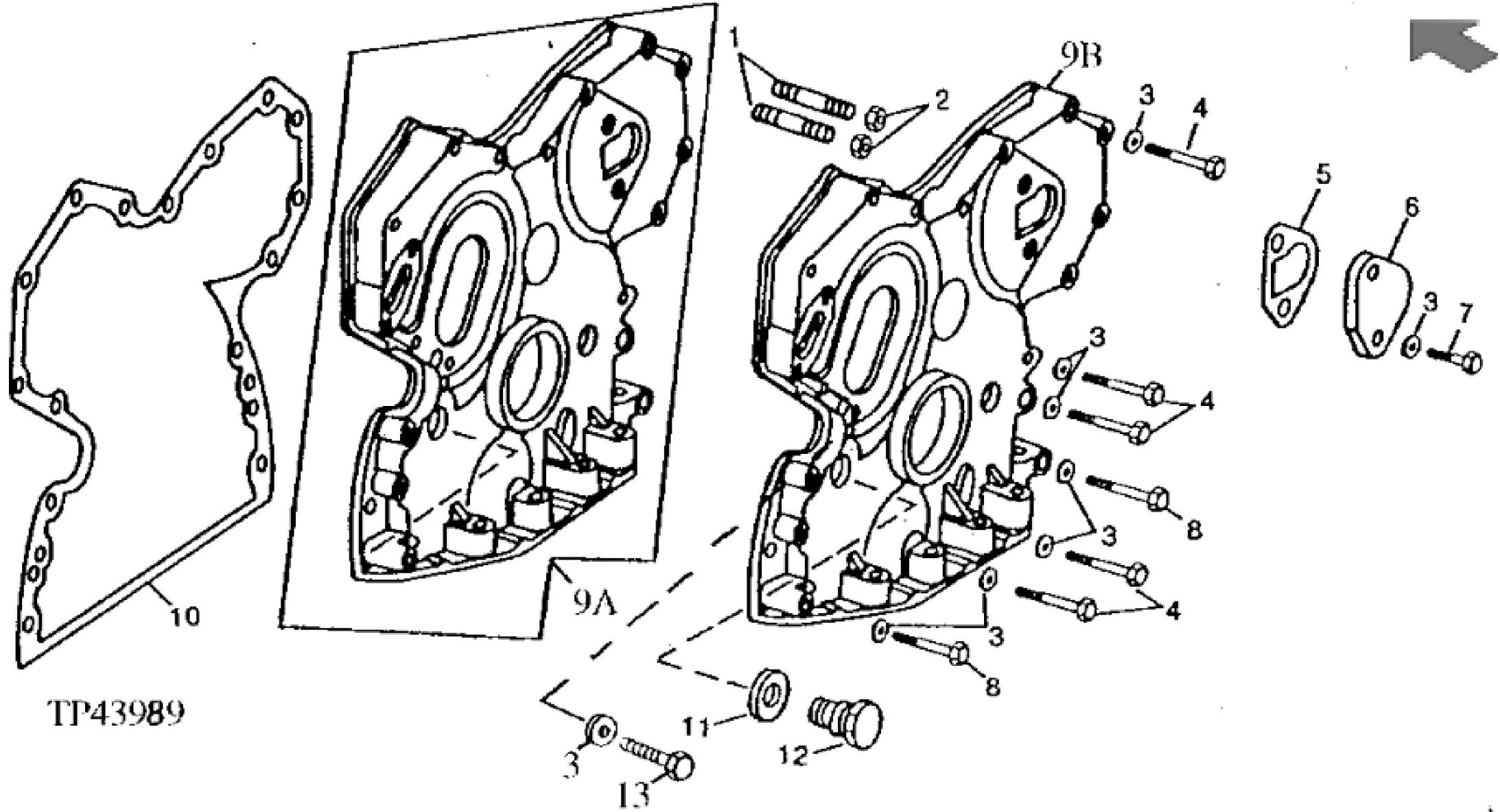


TP1523



John Deere > Construction And Forestry >BULLDOZER >650G - BULLDOZER >450G, 455G, 550G, 555G and 650G Crawler Loaders and Bulldozers >04 ENGINE 4 >0402 CAMSHAFT AND VALVE ACTUATING MEANS >ST401806 - TIMING GEAR COVER (ENGINE SERIAL NO. -299999)

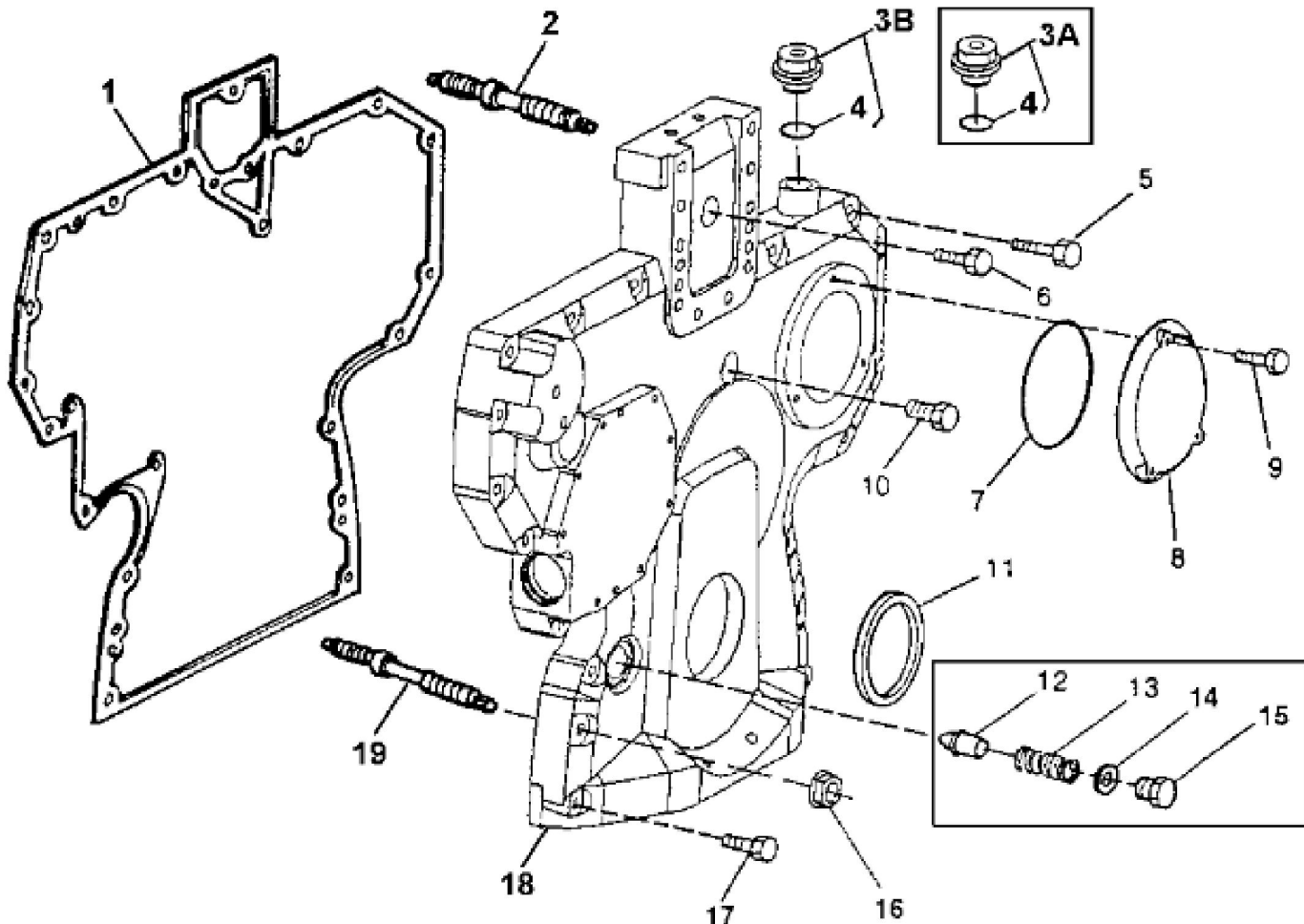
KEY	PART NO.	PART NAME	QTY	REMARKS
1	R126513	GASKET	1	(SUB FOR T20155, R97454, R119269 OR R121314)
2	R122226	STUD	2	(SUB FOR R122226)
3	AR58196	COVER	1	(MARKED R52880) (ALSO ORDER T20272, T20273, 15H275, 19H1726, (3) 19H2284, (4) 24H1304)
4	24H1304	WASHER	AR	13/32" X 23/32" X 0.120"
5	19H2549	CAP SCREW	10	3/8" X 1-7/8"
6	R125066	GASKET	1	(SUB FOR R78366 OR R97773)
7	R126041	COVER	1	(SUB FOR R122618, THIS APPLICATION) (SUB FOR T20362)
8	R124277	CAP SCREW	2	
9	14H812	NUT	2	3/8"
10	15H275	PIPE PLUG	1	1/4", 1/4"
11	T20273	GASKET	1	
12	T20272	COVER	1	
13	19H1819	CAP SCREW	1	3/8" X 2-1/8"
14	T27657	FITTING PLUG	1	
15	A4827R	WASHER	1	
16	19H3031	CAP SCREW	2	3/8" X 2-1/2"



TP43989

John Deere > Construction And Forestry >BULLDOZER >650G - BULLDOZER >450G, 455G, 550G, 555G and 650G Crawler Loaders and Bulldozers >04 ENGINE 4 >0402 CAMSHAFT AND VALVE ACTUATING MEANS >ST401807 - TIMING GEAR COVER (ENGINE SERIAL NO. 300000-742459)

KEY	PART NO.	PART NAME	QTY	Engine Serial No.	REMARKS
1	R122226	STUD	2		(SUB FOR R122226)
2	N10215	LOCK NUT	2		9.525 mm (3/8"), (SUB FOR 14H812, THIS APPLICATION)
2	24M7106	WASHER	2		10 X 18 X 2.500 mm
3	24M7106	WASHER	AR		10 X 18 X 2.500 mm
4	19H3408	SCREW	5		3/8" X 1-3/4"
4	19H3693	SCREW	5		3/8" X 1-1/4"
5	R125066	GASKET	1		(SUB FOR R97773)
6	R126041	COVER	1		(SUB FOR T20362)
7	R124277	CAP SCREW	2		(SUB FOR R122618, THIS APPLICATION)
8	19H3733	SCREW	2		3/8" X 2-1/2"
9A	RE39252	COVER	1	____-426683	WITH INSERTS, (SUB FOR RE27895)
9B	RE56443	COVER	1	426684-____	
10	R126513	GASKET	1		(SUB FOR R97454, R119269 OR R121314)
11	A4827R	WASHER	1		
12	T27657	FITTING PLUG	1		
13	19H1819	CAP SCREW	1	426684-____	3/8" X 2-1/8"



Thank you so much for reading.
Please click the “Buy Now!”
button below to download the
complete manual.



After you pay.

You can download the most
perfect and complete manual in
the world immediately.

Our support email:

ebooklibonline@outlook.com