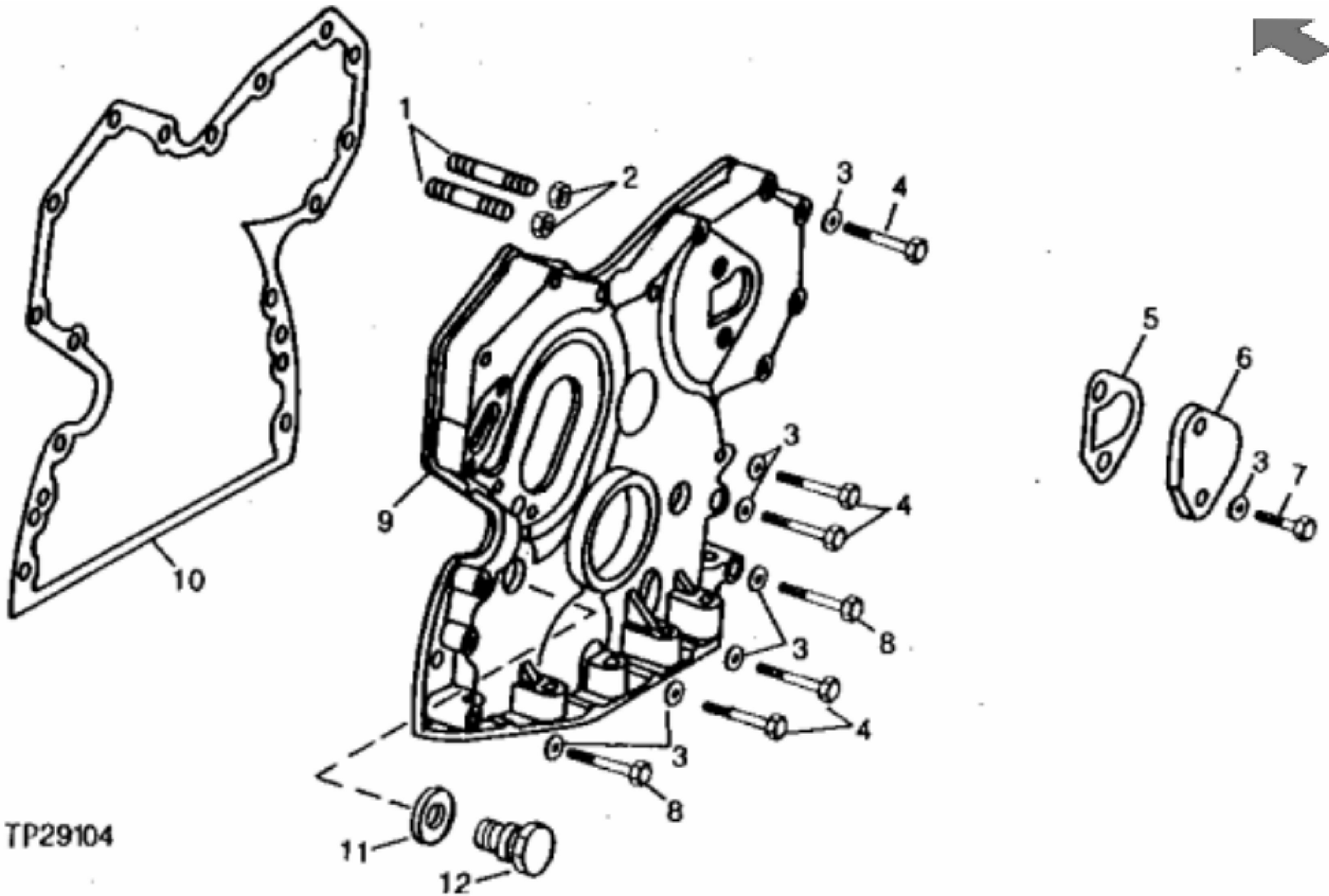


TP18553

John Deere > Construction And Forestry > EXCAVATOR > 490D - EXCAVATOR > 490D Excavator and 493D Feller Buncher > 4 ENGINE 4 > CAMSHAFT AND VALVE ACTUATING MEANS 0402 > 0402-4 -  
ROCKER ARM COVER [01C07]

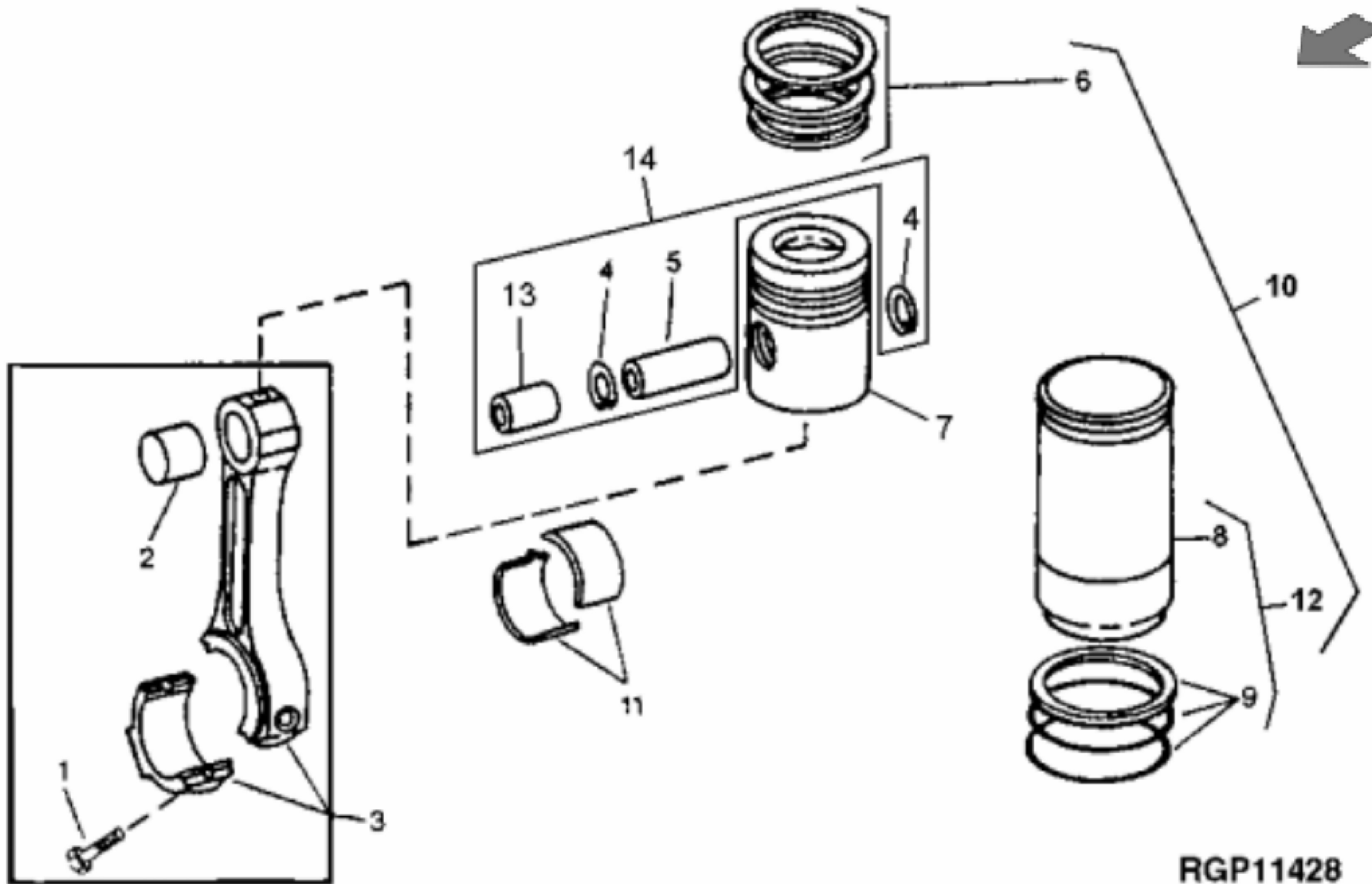
KEY	PART NO.	PART NAME	QTY	490D	493D	REMARKS	
1	AR103811	SCREW WITH WASHER	8	X	X	(SUB FOR AR100124)	
2	AR65864	FILLER CAP	1	X	X		
3	AR71130	VALVE COVER	1	X	X		
4	R73521	GASKET	1	X	X		



TP29104

John Deere > Construction And Forestry > EXCAVATOR > 490D - EXCAVATOR > 490D Excavator and 493D Feller Buncher > 4 ENGINE 4 > CAMSHAFT AND VALVE ACTUATING MEANS 0402 > 0402-5 - TIMING GEAR COVER [01C08]

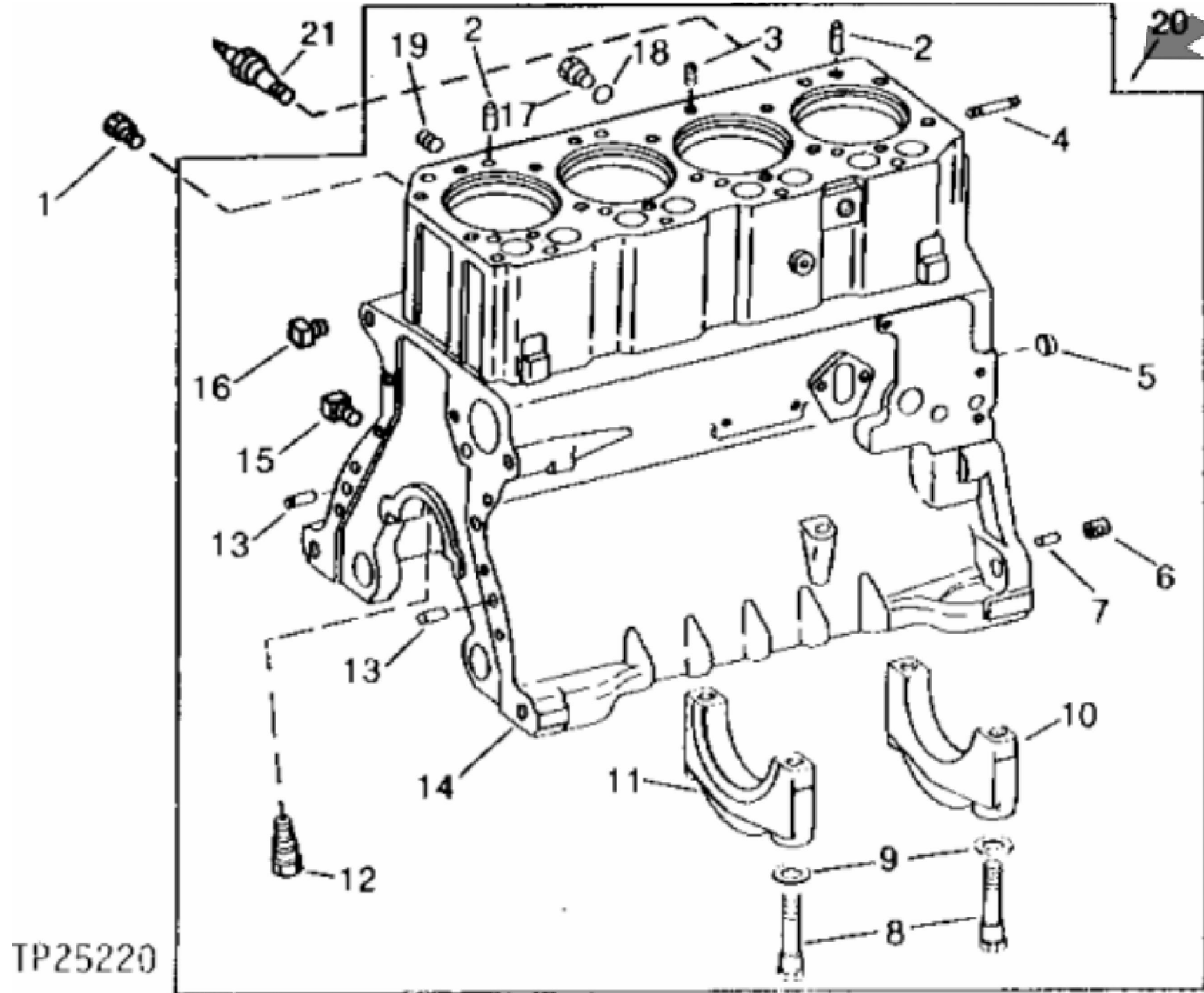
KEY	PART NO.	PART NAME	QTY	490D	493D	REMARKS
1	R122226	STUD	2	X	X	(SUB FOR R122226)
2	14H1076	NUT	2	X	X	3/8"
2	24H1304	WASHER	2	X	X	13/32" X 23/32" X 0.120"
3	24H1304	WASHER	AR	X	X	13/32" X 23/32" X 0.120"
4	19H2549	CAP SCREW	5	X	X	3/8" X 1-7/8"
4	19H2545	CAP SCREW	5	X	X	3/8" X 1-3/8"
5	R125066	GASKET	1	X	X	(SUB FOR R78366 OR R97773)
6	R126041	COVER	1	X	X	(SUB FOR T20362)
7	R124277	CAP SCREW	2	X	X	(SUB FOR R122618, THIS APPLICATION)
8	19H3031	CAP SCREW	2	X	X	3/8" X 2-1/2"
9	RE39252	COVER	1	X	X	WITH INSERTS, (SUB FOR RE27895)
10	R126513	GASKET	1	X	X	(SUB FOR T20155, R97454, R119269 OR R121314)
11	A4827R	WASHER	1	X	X	
12	T27657	FITTING PLUG	1	X	X	



RGP11428

John Deere > Construction And Forestry > EXCAVATOR > 490D - EXCAVATOR > 490D Excavator and 493D Feller Buncher > 4 ENGINE 4 > CONNECTING RODS AND PISTONS 0403 > 0403-2 - CONNECTING ROD, PISTON, RINGS AND LINER [01C09]

KEY	PART NO.	PART NAME	QTY	490D	493D	REMARKS
1	R74195	SCREW	8	X	X	
2	.....	BUSHING	4	X	X	( R56186 NO LONGER AVAILABLE)
3	RE53716	CONNECTING ROD	4	X	X	(MARKED R116851) (SUB FOR AR66400) (MARKED R56187)
4	R54114	SNAP RING	8	X	X	
5	.....	PIN	4	X	X	( R124230 NO LONGER AVAILABLE,FURNISH RE63913)
6	RE507852	PISTON RING KIT	4	X	X	(SUB FOR RE15674, RE48818, RE66820)
7	.....	PISTON	4	X	X	(FURNISH RE19833)
8	R121867	CYLINDER LINER	4	X	X	(SUB FOR R80500) (SUB RE500024) (ALSO USE AR54749 LUBRICANT FOR CYLINDER LINER PACKING INSTALLATION) (SUB FOR R54505)
9	AR65507	O-RING KIT	4	X	X	
10	RE19833	KIT	4	X	X	(SUB FOR RE19832)
11	AR97517	BEARING	4	X	X	(SET OF (2) R54801) (SUB FOR AR69098)
11	.....	BEARING	4	X	X	( AR68413 NO LONGER AVAILABLE) .05 MM (.002") UNDERSIZE (SET OF (2) R57123)
11	AR68414	BEARING	4	X	X	.25 MM (.010") UNDERSIZE (SET OF (2) R57124) (SUB AR97653)
11	AR68415	BEARING	4	X	X	.51 MM (.20") UNDERSIZE (SET OF (2) R57125) (SUB AR97654)
11	AR68416	BEARING	4	X	X	.76 MM (.030") UNDERSIZE (SET OF (2) R57126) (SUB AR97655)
12	RE500024	CYLINDER LINER	4	X	X	
13	.....	BUSHING	4	X	X	
14	RE63913	KIT	4	X	X	



TP25220

Thank you so much for reading.  
Please click the “Buy Now!”  
button below to download the  
complete manual.



After you pay.

You can download the most  
perfect and complete manual in  
the world immediately.

Our support email:

[ebooklibonline@outlook.com](mailto:ebooklibonline@outlook.com)