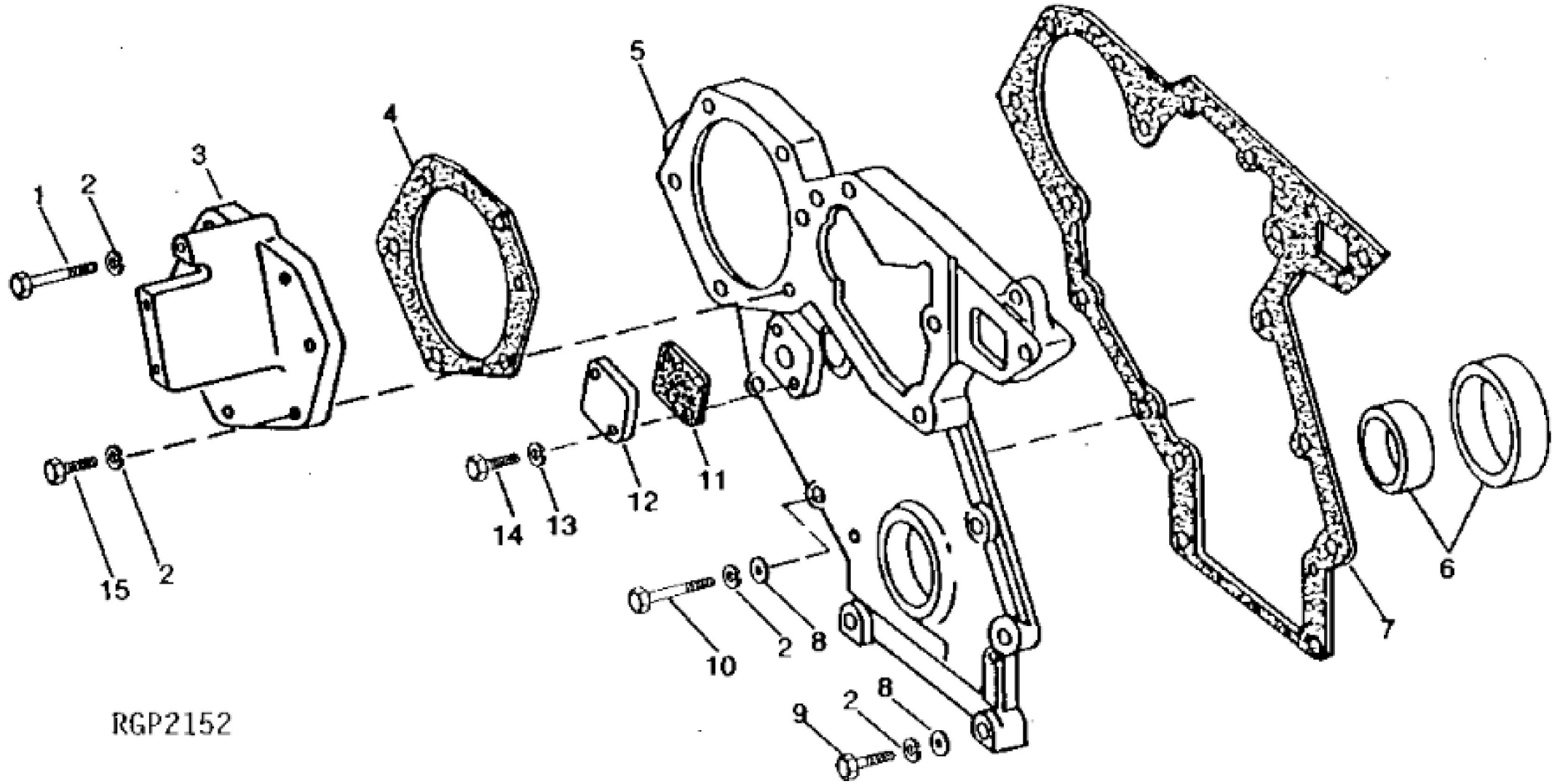


RGP2698

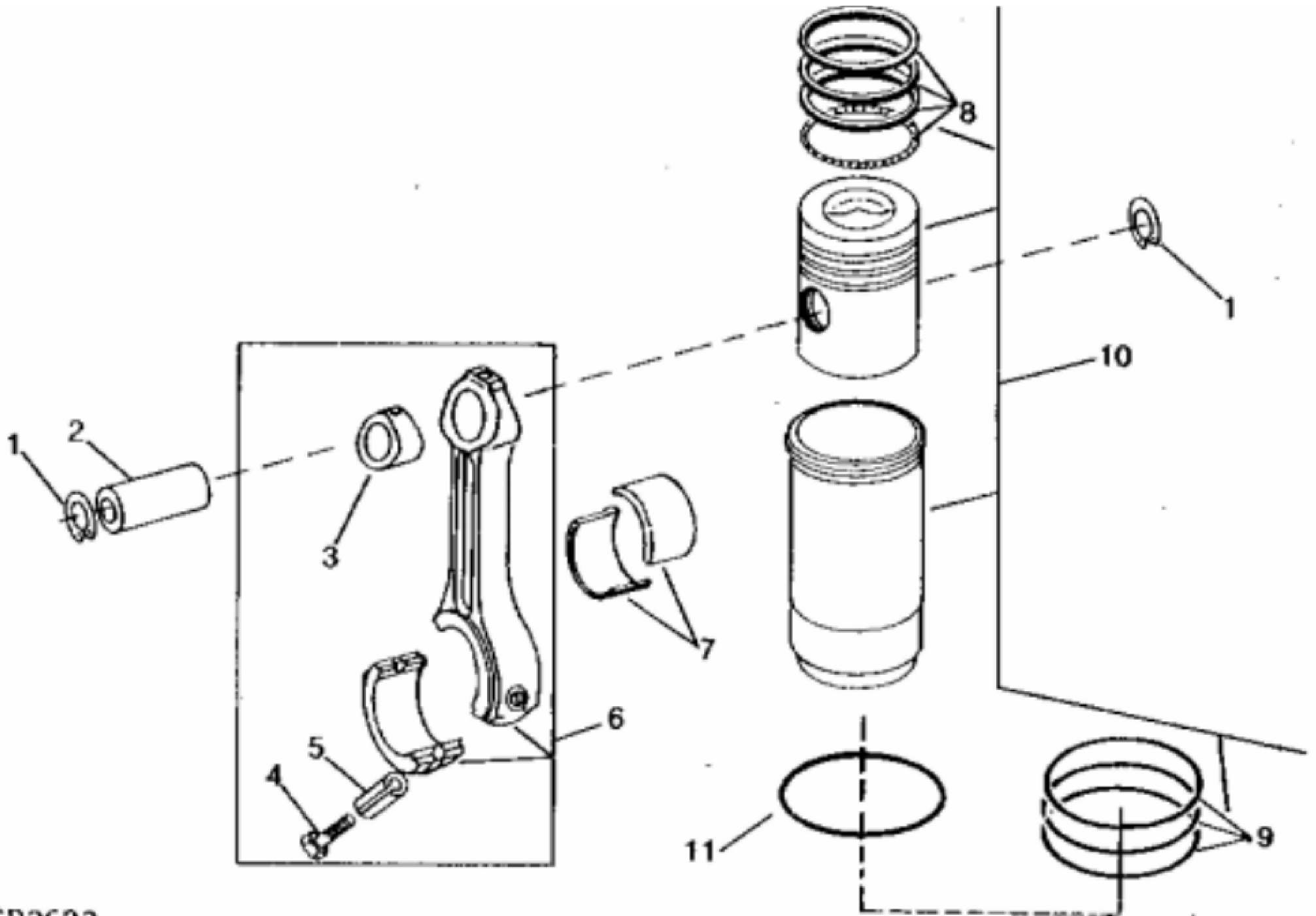
John Deere > Construction And Forestry > EXCAVATOR > 892DLC - EXCAVATOR > 892DLC Excavator > 04 ENGINE 4 6466AT014 > 0402 CAMSHAFT AND VALVE ACTUATING MEANS 6466AT014 6466AT014 > ST297745 - ROCKER ARM COVER AND ENGINE VENTILATOR OUTLET

| KEY | PART NO. | PART NAME | QTY | Engine Serial No. | REMARKS |
|-----|----------|-------------------|-----|-------------------|------------------------------------|
| 1 | TY22450 | BULK HOSE | AR | | (BULK), (SUB FOR R60753 OR R99793) |
| 2 | AR103811 | SCREW WITH WASHER | 8 | ____-329283 | 6.350 X 19.050 mm |
| 2 | AR100124 | SCREW WITH WASHER | 8 | 329284-____ | |
| 3 | TY22467 | CLAMP | 3 | | (SUB FOR AR21839) |
| 4 | T20294 | CAP | 1 | | (SUB FOR R50390) |
| 5 | T20328 | GASKET | 1 | | |
| 6 | AR93173 | COVER | 1 | | |
| 7 | R49866 | GASKET | 1 | | |
| 8 | R50388 | TUBE | 1 | | |
| 9 | TY22450 | BULK HOSE | 1 | | (BULK), (SUB FOR R79961) |
| .. | AR31790 | ADHESIVE | 1 | | |



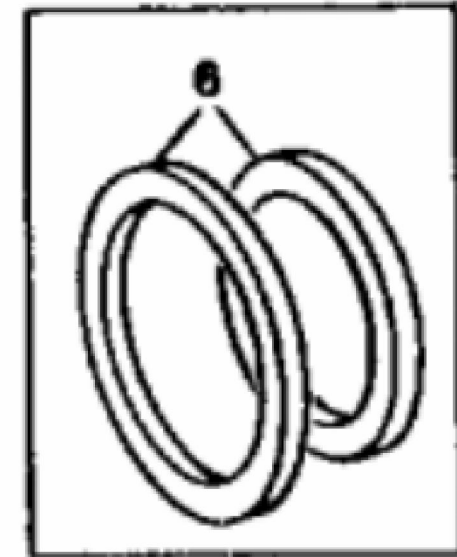
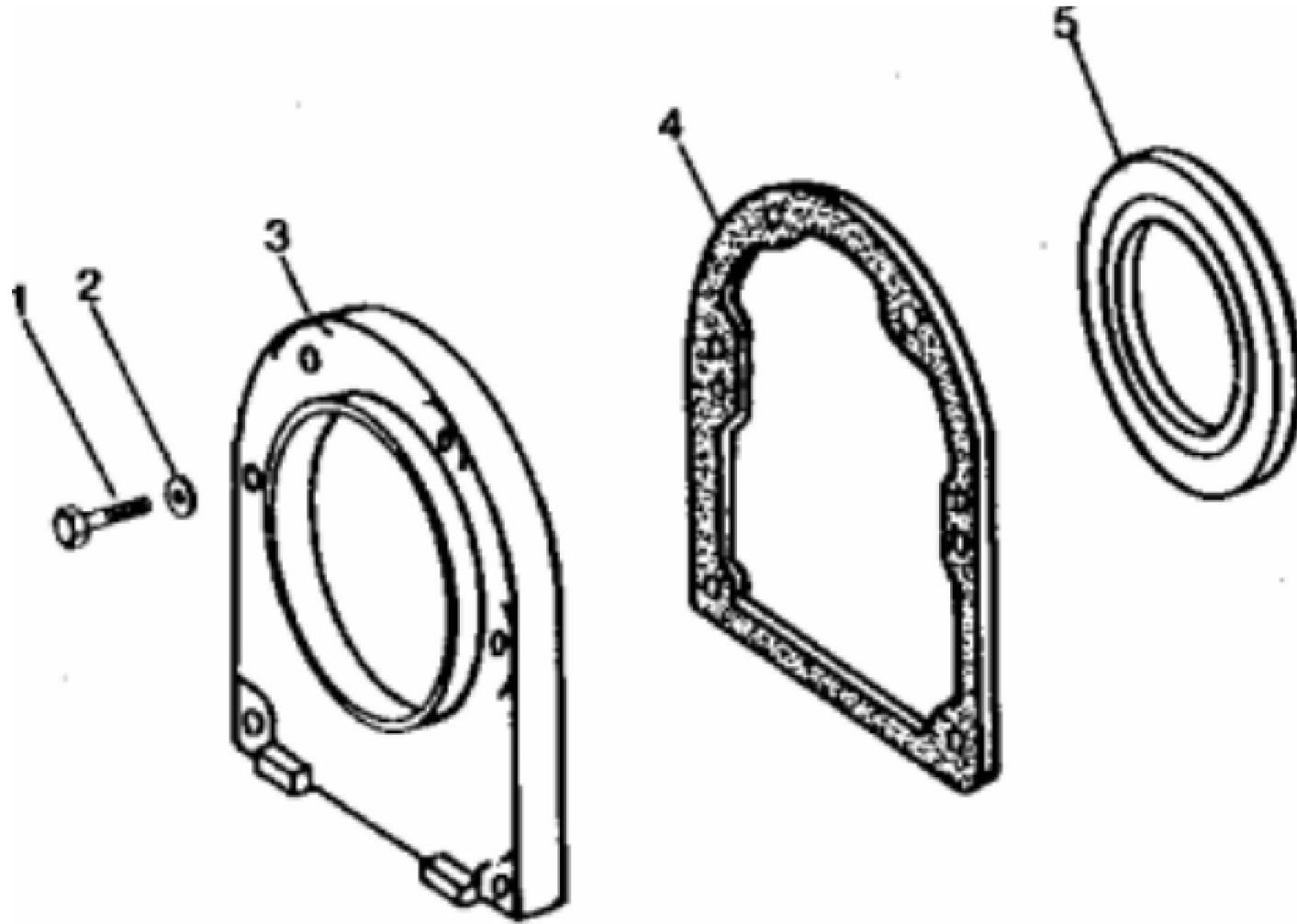
RGP2152

| KEY | PART NO. | PART NAME | QTY | REMARKS |
|-----|----------|-------------|-----|-----------------------------|
| 1 | 19H1921 | CAP SCREW | 5 | 5/16" X 3-1/4" |
| 2 | 12H303 | LOCK WASHER | 6 | 5/16", (NO LONGER REQUIRED) |
| 3 | R79809 | COVER | 1 | |
| 4 | R502011 | GASKET | 1 | (SUB FOR R50390) |
| 5 | R71316 | COVER | 1 | |
| 6 | AR49025 | SEAL | 1 | |
| 7 | R71314 | GASKET | 1 | |
| 8 | 24H1136 | WASHER | 6 | 11/32" X 11/16" X 0.065" |
| 9 | 19H3552 | CAP SCREW | 4 | 5/16" X 1-1/2" |
| 10 | 19H2713 | CAP SCREW | 2 | 5/16" X 1-7/8" |
| 11 | R67770 | GASKET | 1 | |
| 12 | R67769 | COVER | 1 | |
| 13 | 12H302 | LOCK WASHER | 2 | 1/4" |
| 14 | 19H3239 | CAP SCREW | 2 | 3/8" X 1-1/4" |
| 15 | 19H1849 | CAP SCREW | 1 | 5/16" X 1-1/4" |



RGP3623

| KEY | PART NO. | PART NAME | QTY | REMARKS |
|-----|----------|----------------------|-----|---|
| 1 | E1343FN | SNAP RING | 12 | |
| 2 | R57771 | PISTON PIN | 6 | |
| 3 | R74008 | BUSHING | 6 | |
| 4 | R66452 | CAP SCREW | 12 | |
| 5 | R53292 | SLEEVE | 12 | |
| 6 | AR93341 | CONNECTING ROD | 6 | NLA (MARKED R71074) (ORDER SE500498) |
| 6 | SE500498 | CONNECTING ROD REMAN | 6 | (REMAN FOR AR93341) |
| 7 | AR73277 | BEARING | AR | STD (PKG (2) R57583) |
| 7 | AR73278 | BEARING | AR | 0.05MM (.002") US (PKG (2) R60485) |
| 7 | AR73279 | BEARING | AR | 0.25MM (.010") US (PKG (2) R60486) |
| 7 | AR73280 | BEARING | AR | 0.51MM (.020") US (PKG (2) R60487) |
| 7 | AR73281 | BEARING | AR | 0.76MM (.030") US (PKG (2) R60488) |
| 8 | RE48380 | PISTON RING KIT | 6 | (SUB FOR AR73627) (USE WITH AR98838 OR AR100616) |
| 9 | AR98850 | O-RING KIT | 6 | |
| 10 | RE60282 | PISTON-LINER KIT | 6 | (MARKED AR100616 OR AR98838) (SUB FOR AR100646) |
| 11 | R93948 | SHIM | 2 | 0.05MM (.002") (MAX.) |
| 11 | R133134 | SHIM | 1 | (FOR CYLINDER HEAD GASKET REPAIR) |
| .. | RE524405 | ENGINE OVERHAUL KIT | 1 | (CONTAINS (6) RE60282 P/L, GSKT KIT, STD BRGS, F/R SEALS & SNAP RINGS) (A/O R66452 ROD BOLTS) |
| .. | RE524416 | ENGINE OVERHAUL KIT | 1 | (CONTAINS (6) RE60282 P/L, (12) R66452 ROD BOLTS, (6) R74008 ROD BSHGS, (6) R57771 PISTON PINS, (4) R46903 CAM BSHGS, GSKT KIT, STD BRGS, F/R SEALS & SNAP RINGS) |
| .. | RE524418 | ENGINE OVERHAUL KIT | 1 | (CONTAINS (6) RE60282 PISTON LINERS, (12) R66452 ROD BOLTS, (6) R74008 ROD BUSHINGS, (6) R57771 PISTON PINS, (4) R46903 CAM BUSHINGS, GASKET KIT, .010" U.S. BEARINGS, FRONT/REAR SEALS & SNAP RINGS) |



RGP2352

Thank you so much for reading.
Please click the “Buy Now!”
button below to download the
complete manual.



After you pay.

You can download the most
perfect and complete manual in
the world immediately.

Our support email:

ebooklibonline@outlook.com