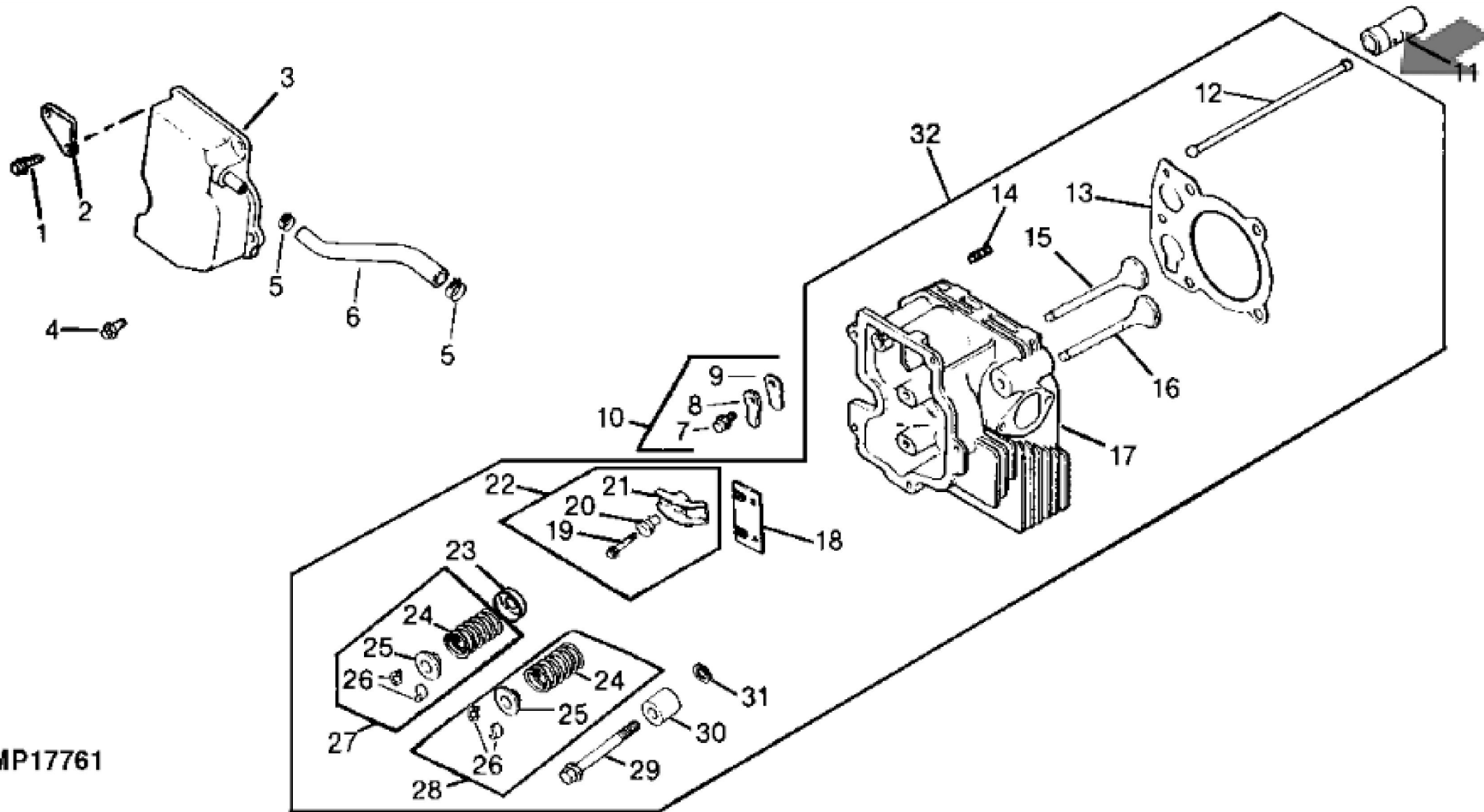


John Deere > Turf And Utility >TRACTOR, LAWN AND GARDEN >STX38 - TRACTOR, LAWN AND GARDEN >STX30 and STX38 (Yellow Mower Deck) Lawn Tractors >20 ENGINE (MARKED 1215, 1216, 1249, 1250, 1257, 1262, 1263, 1264, 41537, 41571) >ST717852 - CYLINDER HEAD AND ROCKER ARM (SHAFT-TYPE ROCKER ARM PIVOT)

KEY	PART NO.	PART NAME	QTY	REMARKS
1	AM107042	CYLINDER HEAD	1	(COMPLETE), (SUB AM125352)
2	MIU13278	VALVE LIFTER	2	SUB FOR M92196 or M131283 or M137271 or MIU11034 or MIU12989
3	M149342	PUSH ROD	2	(SUB FOR M149342)
4	M92198	ENGINE CYLINDER HEAD GASKET	1	CYLINDER HEAD
5	INTAKE VALVE	1	(B) STD, (ORDER AM117021)
5	M92213	INTAKE VALVE	1	(C) .25 MM (.010") OS
6	M92201	VALVE		(A)
6	M92214	EXHAUST VALVE	1	(C) .25 MM (.010") OS
7	M92199	SPACER	1	
8	M149264	SCREW	5	(SUB FOR M92367)
9	M96816	ROTATOR	1	(SUB FOR M96816), (NLA)
10	M146775	SEAL	1	(B) (C) VALVE, (SUB FOR M92202)
11	M43123	RETAINER	1	(B) (C) (SUB FOR M83022)
12	M146624	VALVE		(A) (B) (C) VALVE
13	M92203	CAP	2	(A) (B) (C)
14	AM107043	RETAINER	2	RETAINER
15	TY22462	CLAMP	2	(SUB FOR ET12283 OR AR48236)
16	M92212	BREATHER	1	
17	37M7131	SCREW	3	M6 X 20
18	AM132623	VALVE COVER	1	(SUB FOR M92209)
19	M93483	SCREW	1	
20	37M7091	SCREW	1	M6 X 25
21	AM117016	BREATHER KIT	1	NLA; ORDER M153533, M92210 AND M93483
22	19M7933	CAP SCREW	2	M6 X 25
23	AM117014	ARM KIT	1	NLA;Rocker Arm
24	M124985	STRAP	1	(SUB FOR M92366)
25	M153533	RETAINER	1	
26	M92210	BEAM	1	
27	AM117033	VALVE KIT	1	NLA; ORDER M146624, M92201 and M92203; EXHAUST VALVE (INCLUDES PARTS MARKED (A));Not Illustrated
27	AM117021	VALVE KIT	1	INTAKE VALVE (INCLUDES PARTS MARKED (B));Not Illustrated

KEY	PART NO.	PART NAME	QTY	REMARKS	
28	AM117034	KIT	1	OVERSIZE VALVE (INCLUDES PARTS MARKED (C));Not Illustrated	

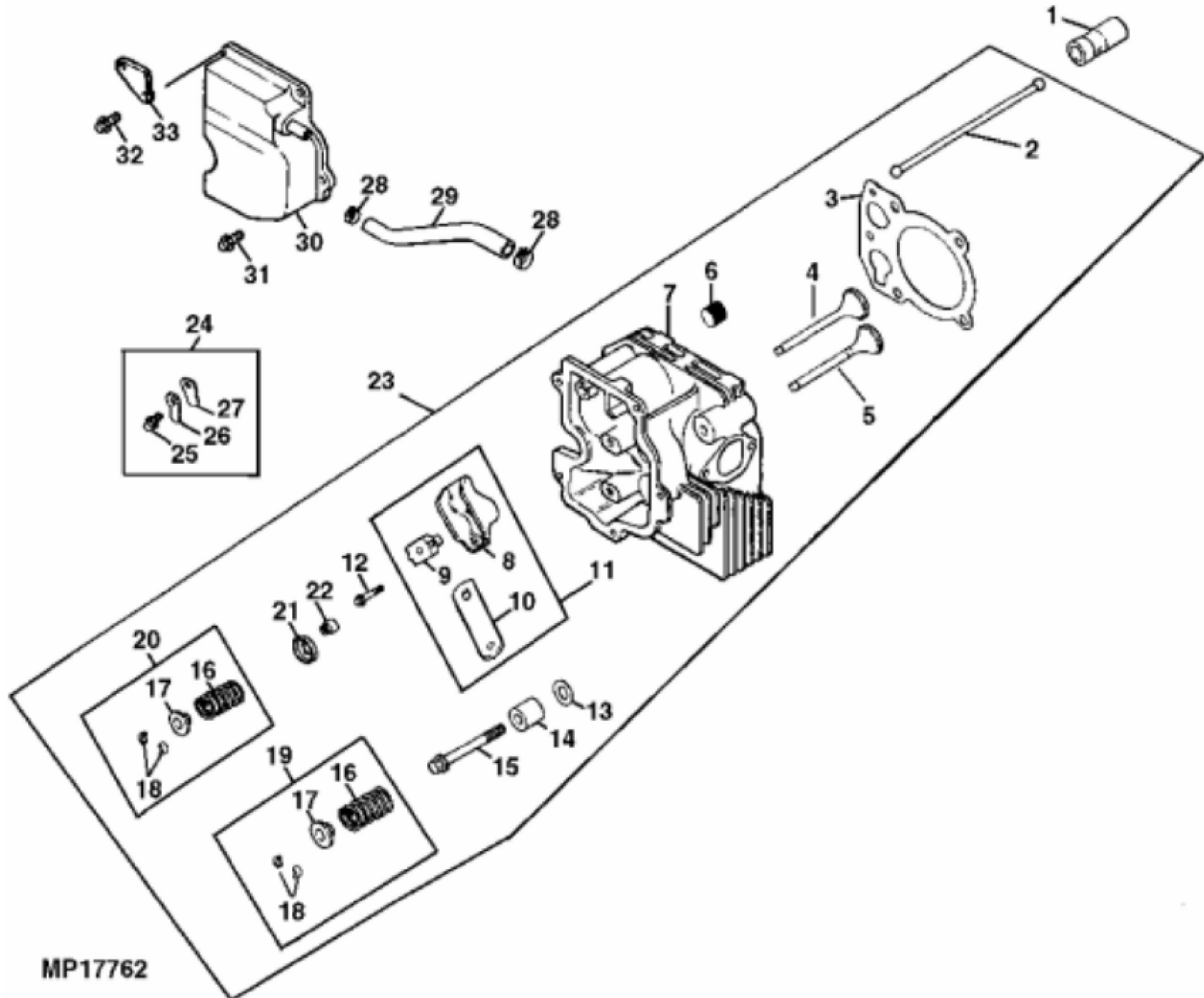


MP17761

John Deere > Turf And Utility >TRACTOR, LAWN AND GARDEN >STX38 - TRACTOR, LAWN AND GARDEN >STX30 and STX38 (Yellow Mower Deck) Lawn Tractors >20 ENGINE (MARKED 1215, 1216, 1249, 1250, 1257, 1262, 1263, 1264, 41537, 41571) >ST717853 - CYLINDER HEAD AND ROCKER ARM (HEMISPHERICAL-TYPE ROCKER ARM PIVOT)

KEY	PART NO.	PART NAME	QTY	REMARKS
1	37M7091	SCREW	1	M6 X 25
2	M124985	STRAP	1	LIFT, (SUB FOR M92366)
3	AM132623	VALVE COVER	1	VALVE, (SUB FOR M92209)
4	37M7131	SCREW	4	M6 X 20
5	TY22462	CLAMP	2	(SUB FOR AR48236)
6	M92212	BREATHER	1	VALVE COVER VENT
7	M93483	SCREW	1	
8	M153533	RETAINER	1	BREATHER, (ORDER AM117016)
9	M92210	BEAM	1	BREATHER, (ORDER AM117016)
10	AM117016	BREATHER KIT	1	REED VALVE,NLA;ORDER M153533 ,M92210 and M93483
11	MIU13278	VALVE LIFTER	2	SUB FOR M92196 or M131283 or M137271 or MIU11034 or MIU12989
12	M149342	PUSH ROD	2	(SUB FOR M149342)
13	M92198	ENGINE CYLINDER HEAD GASKET	1	CYLINDER HEAD
14	15H558	PIPE PLUG	1	1/8"
15	AM119712	INTAKE VALVE	1	ORDER AM107043 , M146624 , M92200 AND M92203 ; Not Illustrated
15	M92213	INTAKE VALVE	1	(A) .25MM (.010") OS
16	EXHAUST VALVE	1	(C) (ORDER AM119711)
16	M92214	EXHAUST VALVE	1	(A) .25MM (.010") OS
17	CYLINDER HEAD	1	(ORDER AM119710)
18	M120567	PLATE	1	GUIDE
19	SCREW	2	
20	BALL	2	
21	ROCKER ARM	2	
22	AM119709	KIT	1	ROCKER ARM, (SUB AM124387)
23	M43123	RETAINER	1	(A)
24	SPRING	1	(A) VALVE
25	M92203	CAP	1	(A)
26	AM107043	RETAINER	1	RETAINER
27	AM119712	VALVE KIT	1	INTAKE VALVE (INCLUDES PARTS MARKED (B))
28	AM119711	VALVE KIT	1	EXHAUST VALVE (INCLUDES PARTS MARKED (C))
29	M149264	SCREW	5	(SUB FOR M92367)
30	M120286	SPACER	1	

KEY	PART NO.	PART NAME	QTY	REMARKS	
31	M120417	WASHER	1		
32	AM119710	CYLINDER HEAD	1	(COMPLETE), (SUB AM125352)	
33	AM117034	KIT	1	OVERSIZE VALVE (INCLUDES PARTS MARKED (A)) (SUB COMPONENTS);Not Illustrated	



MP17762

Thank you so much for reading.
Please click the “Buy Now!”
button below to download the
complete manual.



After you pay.

You can download the most
perfect and complete manual in
the world immediately.

Our support email:

ebooklibonline@outlook.com