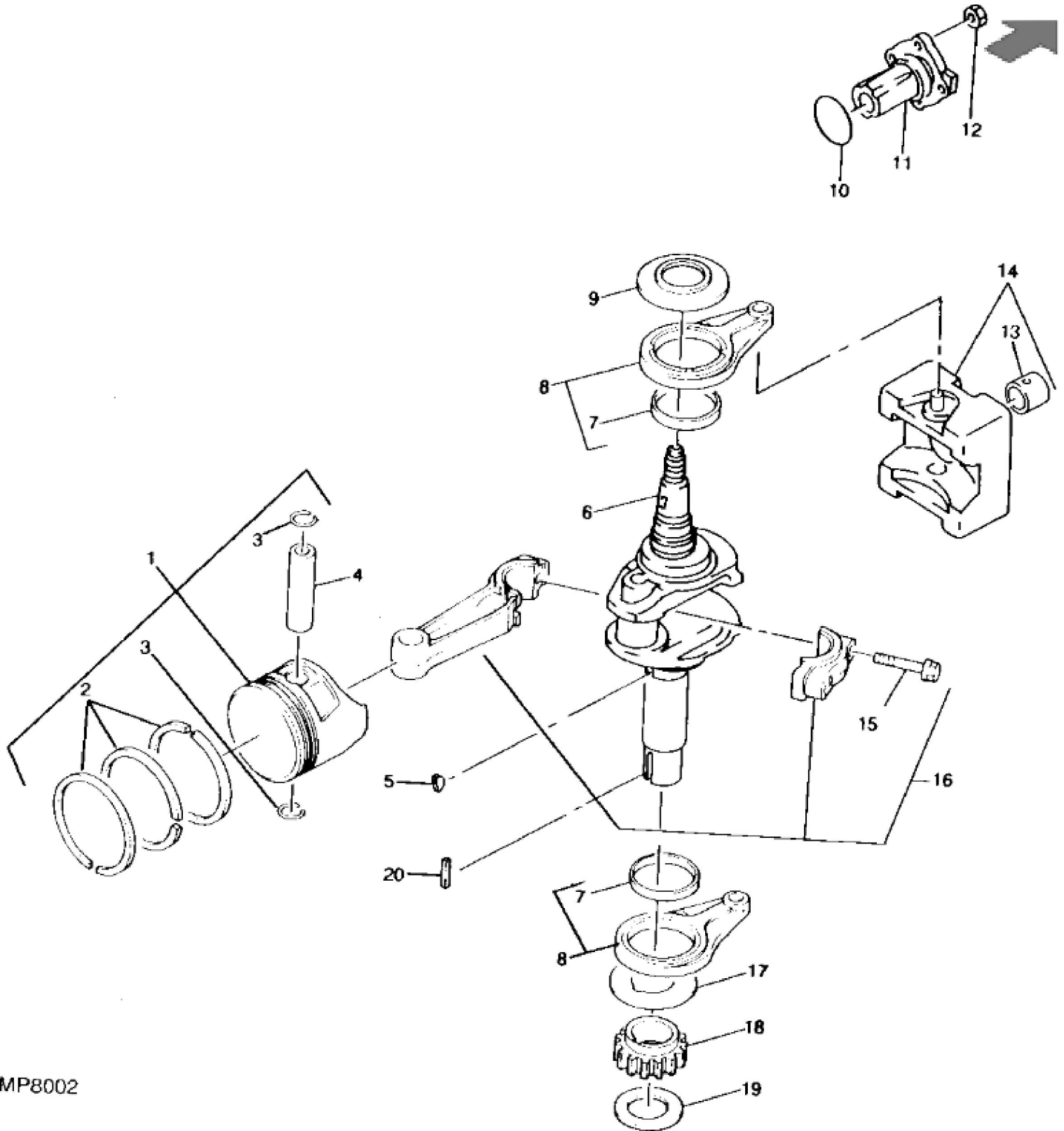


MP21186

John Deere > Turf And Utility > MOWER, FRONT > F525 - MOWER, FRONT > F510 and F525 Front Mowers > 20 ENGINE AND POWER TRAIN AM122331, AM122332 > ST553814 - CYLINDER HEAD AND CRANKCASE

KEY	PART NO.	PART NAME	QTY	Serial No.	F525	REMARKS
1	19M7775	SCREW	4		X	M6 X 16
2	M70017	COVER	1		X	
3	M70018	GASKET	1		X	(A)
4	M95848	SCREW	3		X	(SUB FOR PT12100)
5	AM109222	VALVE TRAIN KIT	1		X	VALVE AND PLATE
6	14M7296	FLANGE NUT	1		X	M10
7	M77751	BOLT	1		X	
8	M70010	SNAP RING	2	_____-007891	X	
9	M97251	BRACKET	2		X	(SUB FOR M70060 OR M70089)
10	AM109087	CYLINDER HEAD	1		X	(SUB FOR AM106265 AND AM108955)
11	MIU11876	BOLT	2		X	
12	M70014	NUT	2		X	(NLA)
13	M70013	STUD	2		X	NLA
14	M70015	BUSHING	2		X	
15	M70016	WASHER	2		X	
16	M70012	BOLT	2		X	
17	M94617	WASHER	2		X	
18	M115234	STOP	1		X	CLUTCH (RUBBER)
19	M77752	ENGINE CYLINDER HEAD GASKET	1		X	(A)
20	AM108119	CRANKCASE	1		X	NLA
21	M88451	SEAL	1		X	(A)
22	M88447	STUD	4		X	
23	M88987	SEAL	1		X	
24	JD8518	BALL BEARING	1		X	(SUB FOR M70058 OR CH16424)
25	R56101	CLIP	2		X	(SUB FOR M88514 OR M95849 OR M68342)
26	M94182	TUBE	1		X	NLA
27	M93965	PLATE	1		X	NLA
28	M94180	BALL BEARING	1		X	
29	M94179	WASHER	1		X	(TRACTOR SN - 163778)
30	M94181	PLUG	1		X	(TRACTOR SN - 163778)
31	19M7810	SCREW	1		X	M10 X 80, (ENGINE TO FRAME)
32	M124523	SEAL	1		X	(A) (SUB FOR PT13344)
33	M74252	PIN	2		X	
34	M115130	INSULATOR	1		X	(SUB FOR M93967, M95847 OR M113368)

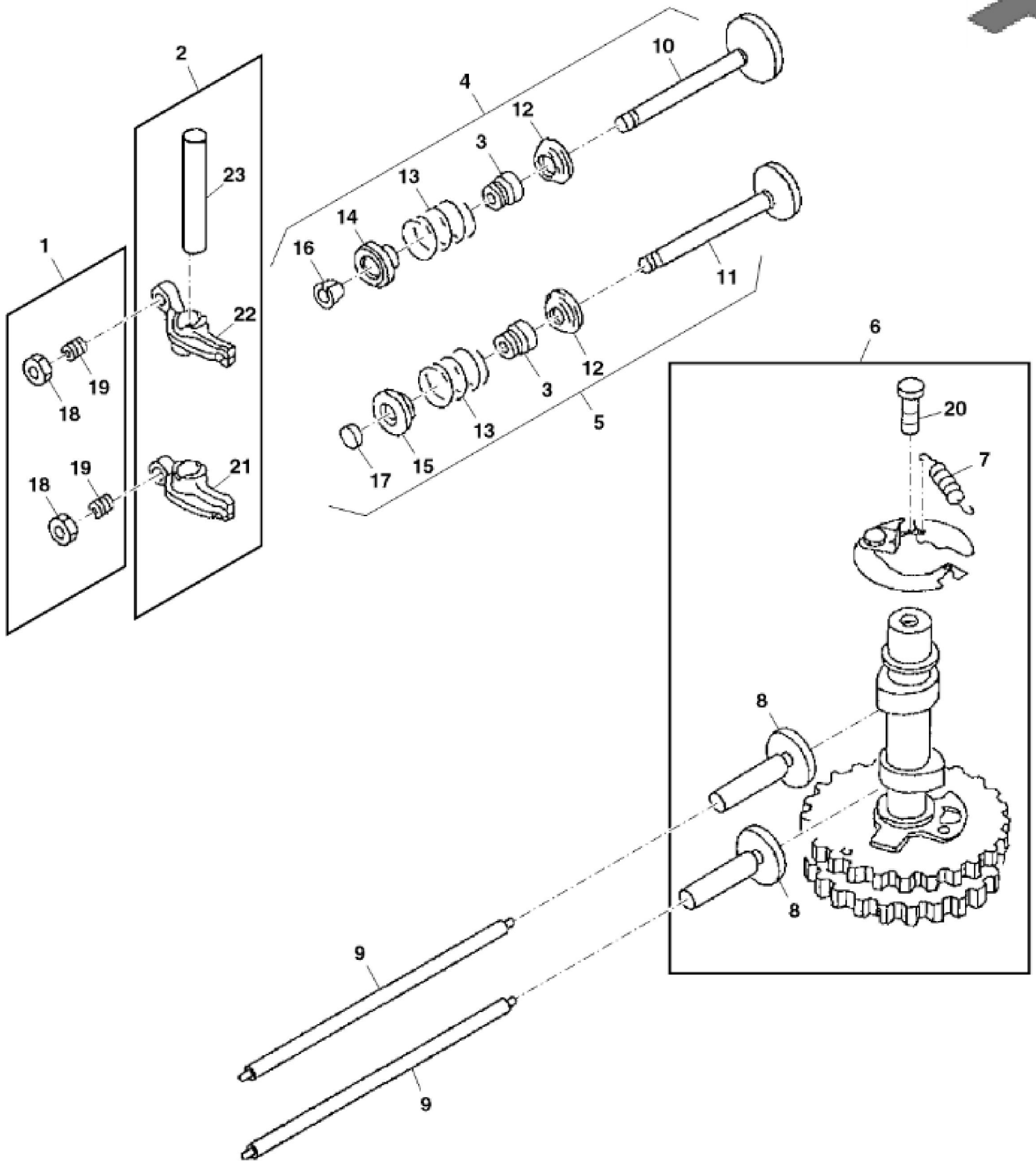
KEY	PART NO.	PART NAME	QTY	Serial No.	F525	REMARKS
35	M93966	BRACKET	1		X	NLA
36	M94153	BOLT	2		X	
37	19M8318	SCREW	9		X	M8 X 45
38	M143236	BASE	1	____-011999	X	(SUB FOR M94616)
38	M147863	COVER	1	012000-032636	X	(SUB FOR M115150)
38	M147863	COVER	1	032637-____	X	(SUB FOR M120023)
39	M94604	GASKET	1		X	(A)
40	M94605	PLUG	1		X	
41	M94461	SCREW WITH WASHER	2		X	NLA
42	M94459	MAGNET	1		X	
43	M143232	GASKET	1		X	(A) (SUB FOR M70099, M97267, M118781 OR M120019)
44	19M7861	SCREW	1		X	M6 X 10
45	M94615	PLATE	1		X	NLA
46	M118002	PLUG	1		X	NLA
47	51M7042	O-RING	1		X	13.300 X 2.200 mm, (TRACTOR SN 163779 -)
48	AM125138	DRAIN VALVE	1		X	(TRACTOR SN 163779 -)
..	AM130360	GASKET KIT	1		X	ENGINE (INCLUDES PARTS MARKED (A)) (SUB FOR AM108125, AM109359, AM118819 OR AM119474)
..	AM119123	GASOLINE ENGINE	1	____-032636	X	PA540A-AS02 COMPLETE WITH TRANSAXLE (SUB FOR AM108124, AM109176, AM116940 OR AM116939 (DO NOT USE IN CALIFORNIA) (SUB AM122332))
..	AM122332	GASOLINE ENGINE	1	032637-____	X	PA540A-BS02 COMPLETE WITH TRANSAXLE (CARB CERTIFIED)



MP8002

John Deere > Turf And Utility > MOWER, FRONT > F525 - MOWER, FRONT > F510 and F525 Front Mowers > 20 ENGINE AND POWER TRAIN AM122331, AM122332 > ST553815 - CRANKSHAFT AND PISTONS

KEY	PART NO.	PART NAME	QTY	F510	F525	REMARKS
1	AM109362	PISTON REPLACEMENT KIT	1			NLA, STD
1	AM109364	PISTON REPLACEMENT KIT	AR			.50 MM OS, NLA
2	AM101097	PISTON RING KIT	1			NLA, STD
2	AM101099	PISTON RING KIT	AR			.50 MM OS, NLA
3	M70053	SNAP RING	2			
4	M70052	PISTON PIN	1			(NOT INCLUDED IN KIT)
5	M77843	SHAFT KEY	1			
6	AM108007	CRANKSHAFT	1	X		NLA
6	AM108120	CRANKSHAFT	1		X	NLA
7	M93951	WASHER	2	X		
7	M93952	BEARING	2		X	
8	AM107951	ROD	2	X		NLA
8	AM107952	ROD	2		X	
9	M70055	SPACER	1			
10	M70096	O-RING	1			(INCLUDED IN ENGINE GASKET KIT)
11	M70186	SHAFT	1			
12	M70097	NUT	4			
13	M140228	BEARING	1	X		(ORDER AM104442) (SUB FOR M120020)
13	M140228	BEARING	1		X	(SUB FOR M72903 AND M120020)
14	AM104442	WEIGHT	1	X		(INCLUDES BEARING)
14	AM131129	WEIGHT	1		X	(INCLUDES BEARING) (SUB FOR AM105819 AND AM119476)
15	M95850	PIN	2			
16	AM130250	CONNECTING ROD	1	X		STD, (SUB FOR AM104452)
16	AM130251	CONNECTING ROD	AR	X		.50 MM US, (SUB FOR AM104453)
16	AM130248	CONNECTING ROD	1		X	STD, (SUB FOR AM101674)
16	AM130249	CONNECTING ROD	AR		X	.50 MM US, NLA (SUB FOR AM102390)
17	M88592	SPACER	1	X		NLA
17	M70056	SPACER	1		X	
18	M93968	HELICAL GEAR	1	X		NLA
18	M94618	HELICAL GEAR	1		X	NLA
19	AM104809	SHIM KIT	1	X		(INCLUDES SHIMS FROM 1.18 MM TO 1.810 MM)
19	AM102397	SHIM KIT	1		X	(INCLUDES SHIMS FROM 1.18 MM TO 1.705 MM)
20	M45460	SHAFT KEY	1			(USE WITH OGURA CLUTCH ONLY)



Thank you so much for reading.
Please click the “Buy Now!”
button below to download the
complete manual.



After you pay.

You can download the most
perfect and complete manual in
the world immediately.

Our support email:

ebooklibonline@outlook.com