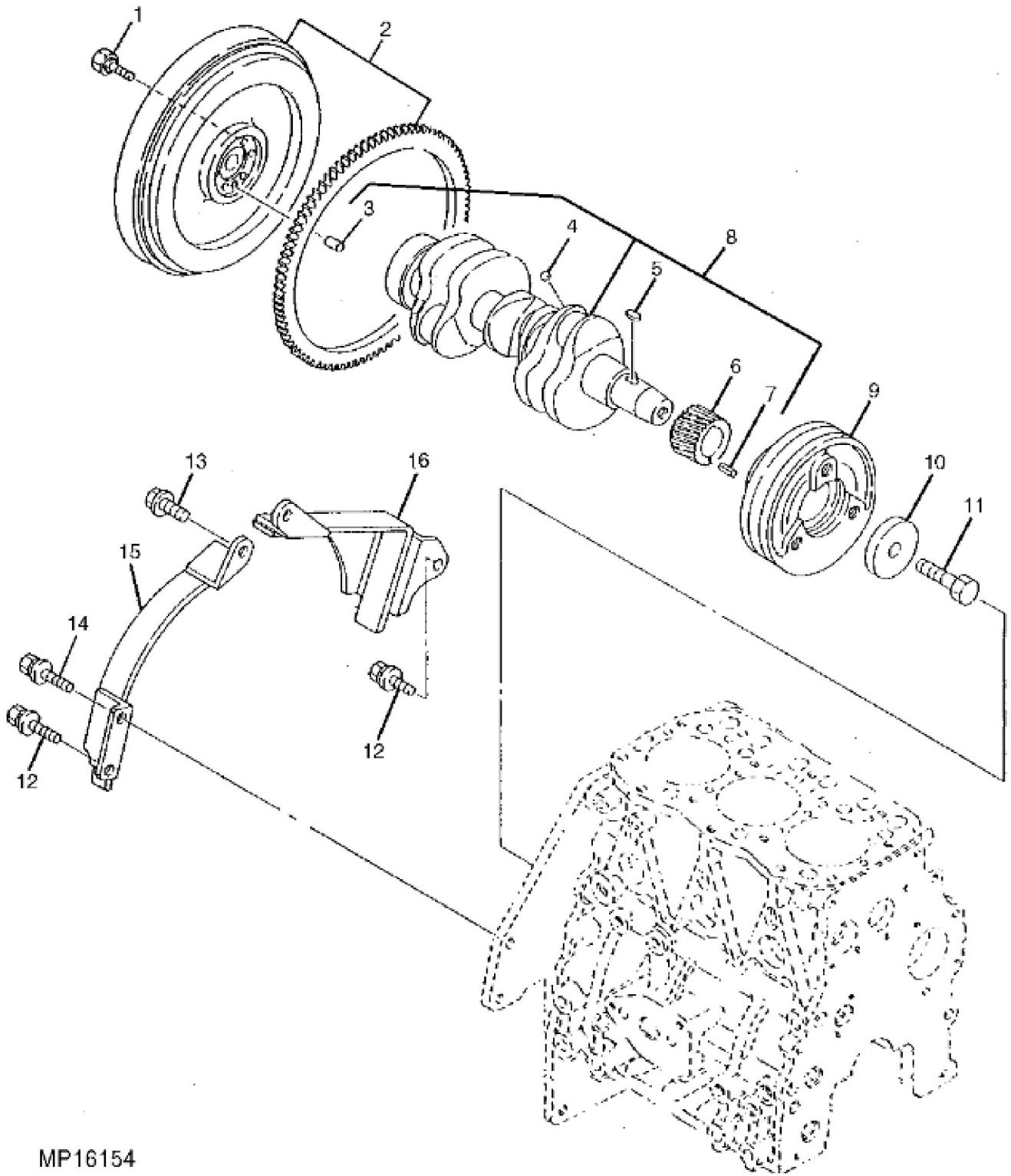
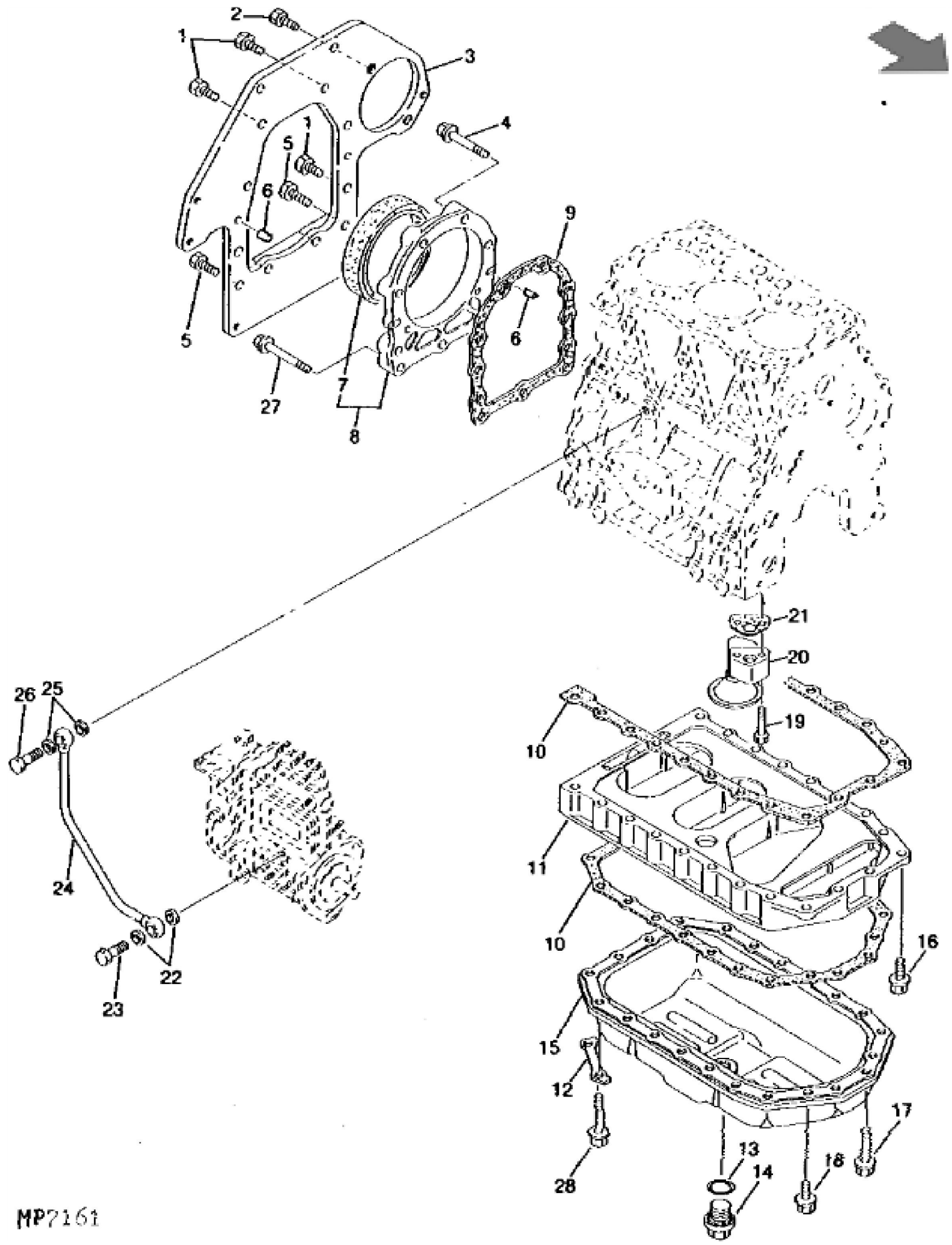


KEY	PART NO.	PART NAME	QTY	REMARKS
1	M801186	BOLT	14	CYLINDER HEAD
2	M805837	ENGINE CYLINDER HEAD GASKET	1	CYLINDER HEAD, (SUB FOR M804333)
3	CH18079	SPRING PIN	2	
4	CH10642	PLUG	6	(30)
5	15H562	PIPE PLUG	1	1"
6	M800977	BUSHING	1	CAMSHAFT
7	AM875315	GEAR	1	IDLER
8	M800978	SHAFT	1	
9	CH19101	BOLT	2	
10	M87801	PLUG	2	KNOCK
11	M800974	PIPE	2	BEARING CAP
12	M801189	BOLT	8	
13	AM875371	BEARING KIT	4	
14	MIA880555	BEARING	2	(SUB FOR AM875373)
15	MIA880550	BEARING	4	.25 OS., (SUB FOR AM875374)
16	CH10335	PLUG	3	
17	CH13504	PLUG	1	DIPSTICK
18	M806840	PLUG	1	(SUB FOR M800973)
19	M802255	PIN	1	
20	M805251	HOSE FITTING	1	(SUB FOR AM100800, THIS APPLICATION)
21	TY22465	HOSE CLAMP	1	(SUB FOR AR21837)
22	AM100856	SWITCH	1	
23	AM877288	CYLINDER BLOCK	1	
24	M805255	DIPSTICK	1	
25	M805010	DIPSTICK	1	NLA, GUIDE
26	19M7865	SCREW	1	M8 X 16
27	CH10571	PACKING	1	
28	M89143	GUIDE	1	
29	AR87184	COOLANT HEATER	1	
30	AR87168	POWER CORD	1	
31	AR87167	HEATER KIT	1	
..	AM106038	DIESEL ENGINE	1	(SUB FOR AM108006) (SUB MIA882672)
..	MIA882672	SHORT BLOCK ASSEMBLY	1	(INCLUDES AM877288 CYLINDER BLOCK, CRANKSHAFT, PISTONS AND RODS, CAMSHAFT, AND IDLER GEAR)



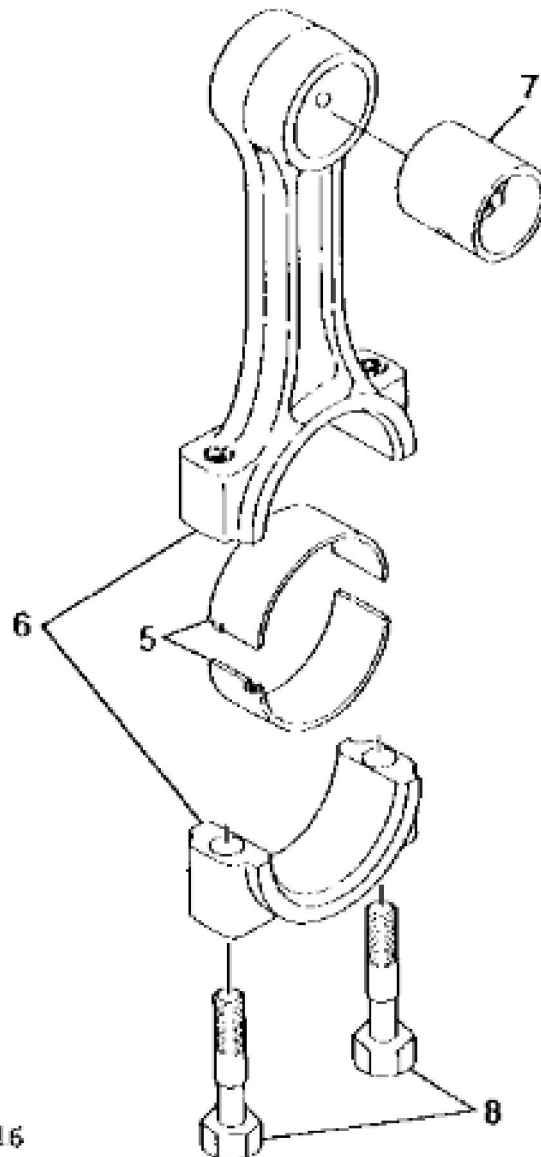
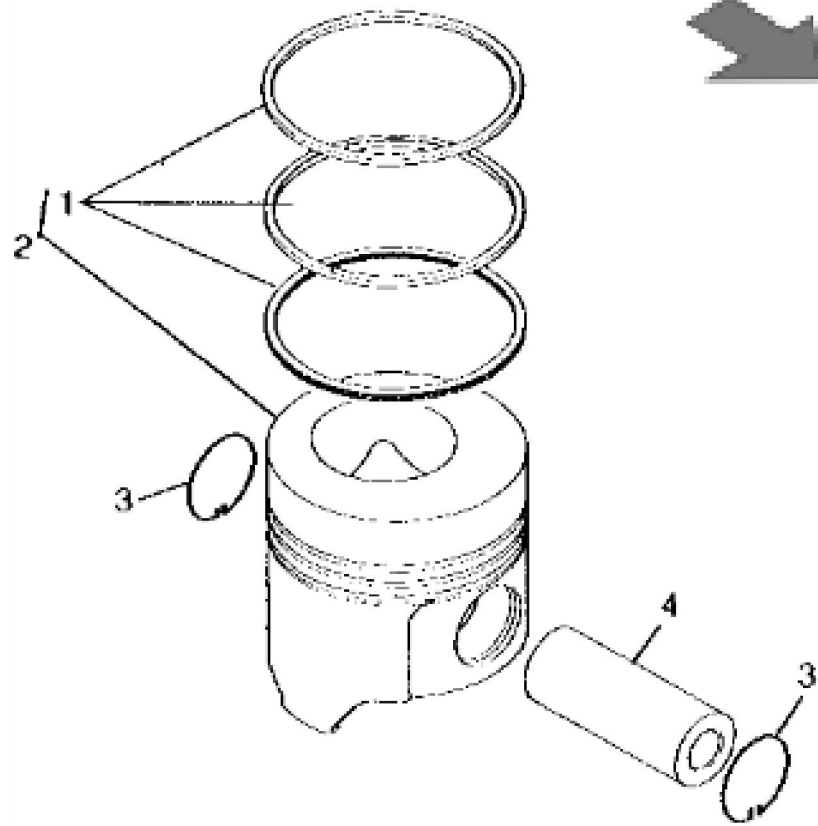
MP16154

KEY	PART NO.	PART NAME	QTY	REMARKS	
1	CH19291	BOLT	6		
2	AM877672	FLYWHEEL	1	ASSY, (SUB AM877672)	
3	M802255	PIN	1	(SUB AM877672)	
4	400R	BALL	3		
5	M801045	SHAFT KEY	1		
6	M801053	GEAR	1	(NLA)	
7	CH12293	PIN	1	(USE WITH AM875538)	
7	M802614	KEY	1	(USE WITH AM876335)	
8	AM876335	CRANKSHAFT	1	(SUB FOR AM875538)	
9	M801750	PULLEY	1		
10	M801055	WASHER	1		
11	CH16798	BOLT	1		
12	19M7163	CAP SCREW	2	M8 X 25	
12	12M7065	LOCK WASHER	2	8 mm	
12	24M7055	WASHER	2	8.400 X 16 X 1.600 mm	
13	19M7864	SCREW	1	M8 X 12	
14	M805014	BOLT	2	M8 X 25, NLA	
15	M805004	HOUSING	1	RH	
16	M805003	HOUSING	1	LH	



MP2161

KEY	PART NO.	PART NAME	QTY	REMARKS
1	M800011	BOLT	6	
2	M801817	BOLT	2	
3	M800991	PLATE	1	BACK
4	19M7868	SCREW	6	M8 X 30
5	19M7402	CAP SCREW	4	M10 X 25, (SUB FOR M800077)
6	M802255	PIN	2	
7	M805278	SEAL	1	(SUB FOR M801203)
8	AM875375	CASE	1	OIL SEAL
9	GASKET	1	OIL SEAL CASE (MAKE FROM M64850 SEALANT), (SUB FOR M801204)
10	GASKET	AR	(MAKE FROM M64850 SEALANT)
11	M801735	RESERVOIR	1	INTERMEDIATE
12	M801206	PLATE	2	SUMP
13	CH13526	PACKING	1	
14	M800994	DRAIN PLUG	1	OIL DRAIN
15	AM877668	OIL PAN	1	(SUB FOR M805001)
16	19M7867	SCREW	1	M8 X 25
17	CH19101	BOLT	16	
18	19M7865	SCREW	4	M8 X 16
19	19M7897	SCREW	2	M8 X 35
20	M801208	STRAINER	1	OIL
21	M805829	GASKET	1	(SUB FOR M800999)
22	CH10554	PACKING	2	
23	CH15501	BOLT	1	
24	AM875540	FUEL LINE	1	
25	CH10555	WASHER	2	FI PUMP
26	CH10361	BOLT	1	
27	19M7897	SCREW	3	M8 X 35
28	19M7800	SCREW	4	M8 X 50



MP3916

Thank you so much for reading.
Please click the “Buy Now!”
button below to download the
complete manual.



After you pay.

You can download the most
perfect and complete manual in
the world immediately.

Our support email:

ebooklibonline@outlook.com