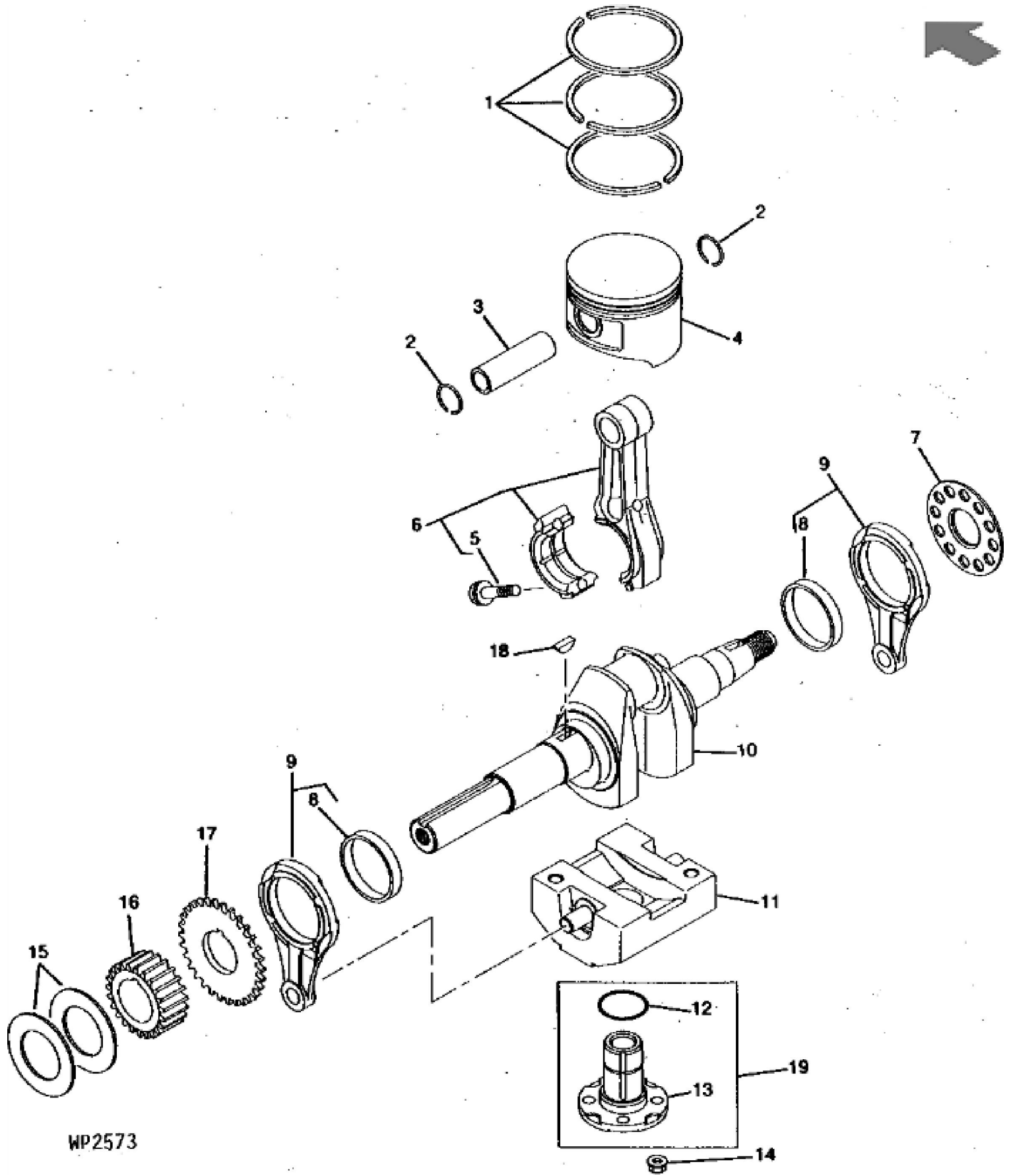


WP2524

John Deere > Turf And Utility > TRANSPORTER, ALL MATERIAL (AMT) >622 - TRANSPORTER, ALL MATERIAL (AMT) >622 and 626 All Material Transporter >20 ENGINE >20-2 - CRANKCASE/CYLINDER AND HEAD CARTER/CYLINDRE ET CULASSE NOCKENWELLE/ZYLINDER UND ZYLINDERKOPF CARTER/CILINDRO E TESTATA CARTER/CILINDRO Y CULATA VEVHUS/CYLINDER OCH TOPPLOCK [A14]

KEY	PART NO.	PART NAME	QTY	622	626	REMARKS	
1	19M8318	SCREW	10	X	X	M8 X 45 (HS, HEAD MARKED 10.9)	
2	M73817	VALVE	1	X	X		
3	W40494	PLATE	1	X	X		
4	M95848	SCREW	2	X	X	(SUB FOR PT12100)	
5	W40420	GUIDE	1	X	X		
6	M96547	GUIDE	1	X	X	(SUB FOR M70194)	
7	M70010	SNAP RING	2	X	X		
8	AW26831	CYLINDER HEAD	1	X	X		
9	W40491	GASKET	1	X	X	(A)	
10	W40493	CASE	1	X	X		
11	W40499	O-RING	2	X	X		
12	19M8290	SCREW	2	X	X	M6 X 35 (HS, HEAD MARKED 10.9) (SUB FOR W40500)	
13	W40495	ISOLATOR	1	X	X		
14	M88987	SEAL	1	X	X		
15	M70227	PIN	2	X	X		
16	M97289	SEAL	1	X	X	(A) (SUB FOR M70234)	
17	M131989	GASKET	1	X	X	(A) (SUB FOR W40490 OR M119138)	
18	M119141	CRANKCASE	1	X	X	(SUB FOR AW26847)	
19	M74252	PIN	2	X	X		
20	M119139	GASKET	1	X	X	(A) (SUB FOR W40492 OR M97283)	
21	W40498	SEAL	1	X	X	(A) (SUB PT18249)	
22	M127939	STUD	1	X	X	(SUB FOR W40551 OR M119348)	
23	W40496	COVER	1	X	X	(INCLUDES GOVERNOR GEAR SHAFT)	
24	W40497	BALL BEARING	1	X	X		
25	M88447	STUD	4	X	X		
26	14M7166	LOCK NUT	4	X	X	M8	
27	24M7055	WASHER	4	X	X	8.400 X 16 X 1.600 MM	
28	03M7188	BOLT	4	X	X	M8 X 40	
..	AM124808	GASKET KIT	1	X	X	(SUB FOR AW26869 OR AM109305)	
..	MIA10305	GASOLINE ENGINE	1	X	X	(B) (C) (D) (SUB FOR AW26868, AM119622, AW26681 OR AM108530)	



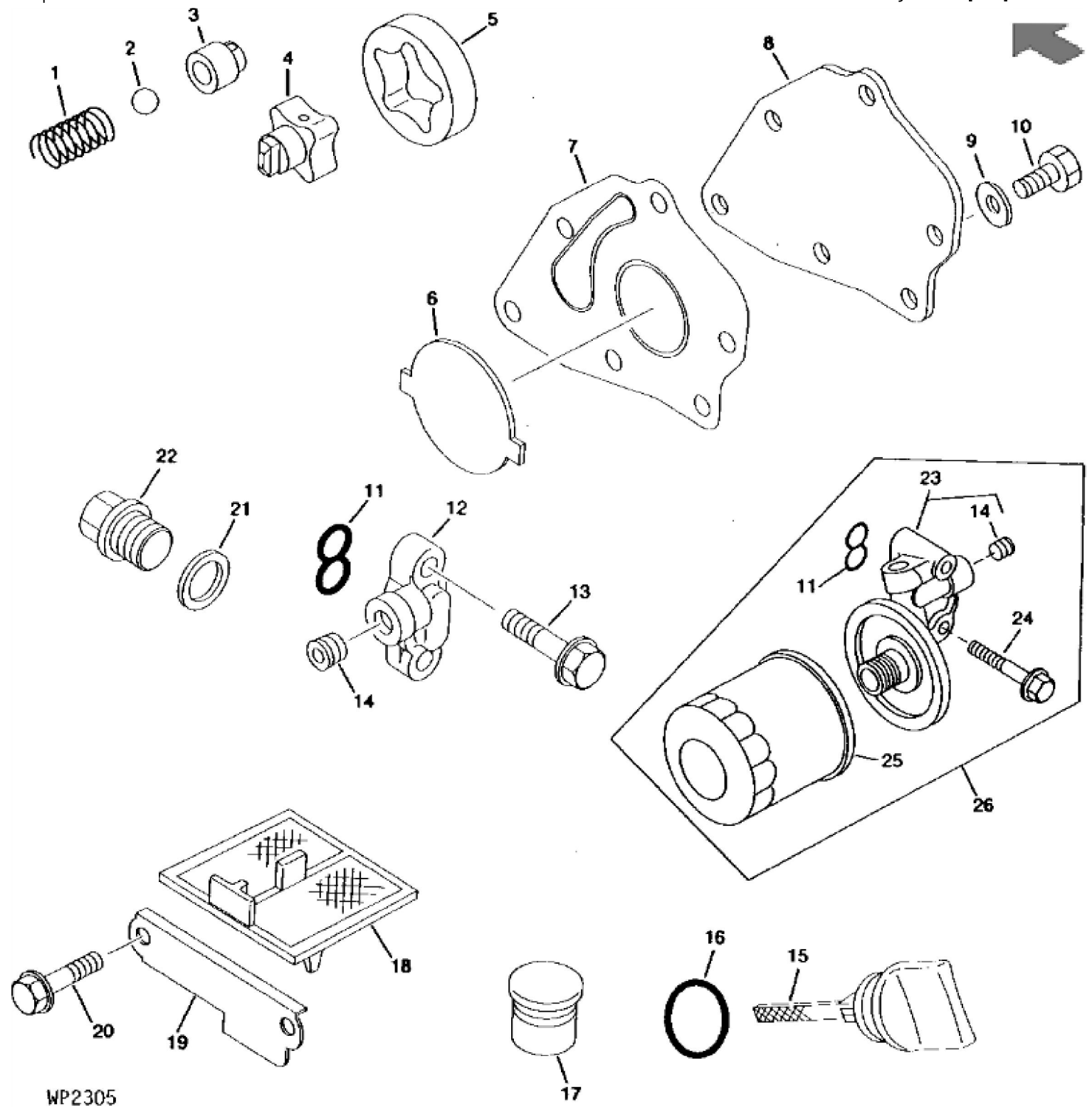
WP2573

John Deere > Turf And Utility > TRANSPORTER, ALL MATERIAL (AMT) > 622 - TRANSPORTER, ALL MATERIAL (AMT) > 622 and 626 All Material Transporter > 20 ENGINE > 20-4 - CRANKSHAFT AND PISTON VILEBREQUIN ET PISTON NOCKENWELLE UND KOLBEN ALBERO A GOMITI E PISTONE CIGUENAL Y PISTON VEVAXEL OCH KOLV [A16]

KEY	PART NO.	PART NAME	QTY	622	REMARKS
1	AM102610	PISTON RING KIT	1	X	
1	AM102611	PISTON RING	AR	X	O.D.=+0.25 MM (.010") (NO LONGER AVAILABLE)
1	AM102612	PISTON RING	AR	X	O.D.=+0.50 MM (.020")
1	AM102613	PISTON RING	AR	X	O.D.=+0.75 MM (.030") (NO LONGER AVAILABLE)
2	M70220	WIRE	2	X	
3	M70219	PISTON PIN	1	X	
4	M119153	PISTON	1	X	(SUB FOR W40422)
4	W40560	PISTON	AR	X	O.D.=+0.25 MM (.010") (NO LONGER AVAILABLE)
4	M119174	PISTON	AR	X	O.D.=+0.50 MM (.020") (SUB FOR W40553)
4	W40552	PISTON	AR	X	O.D.=+0.75 MM (.030") (NO LONGER AVAILABLE)
5	PT12040	BOLT	2	X	
6	AW26834	CONNECTING ROD	1	X	
6	AW26861	CONNECTING ROD	AR	X	I.D.=-0.50 MM (.020")
7	M70226	SPACER	1	X	
8	M70265	BEARING	2	X	
9	AM107155	ROD	2	X	
10	PT18252	CRANKSHAFT	1	X	(SUB FOR W40554 OR ET15668)
11	AW26833	WEIGHT	1	X	
12	M70096	O-RING	1	X	(A)
13	M70095	SHAFT	1	X	
14	M70097	NUT	4	X	
15	AM102616	SHIM	AR	X	KIT, PACKG (9), TK=1.13 - 1.53 MM (.044 - .060")
16	M119175	HELICAL GEAR	1	X	(SUB FOR W40423)
17	M70222	SPUR GEAR	1	X	
18	M77843	SHAFT KEY	1	X	
19	AM109188	KIT	1	X	(SUB M70095, M70096)
..	PT18252	CRANKSHAFT	1	X	(INCLUDES M70265, AM107155, M119175, M70222 AND M77843)

John Deere > Turf And Utility > TRANSPORTER, ALL MATERIAL (AMT) > 622 - TRANSPORTER, ALL MATERIAL (AMT) > 622 and 626 All Material Transporter > 20 ENGINE > 20-6 - CAMSHAFT AND VALVES
 ARBRE A CAMES ET SOUPAPES NOCKENWELLE UND VENTILE ALBERO A GOMITI E VALVOLE ARBOL DE LEVAS Y VALVULAS KAMAXEL OCH VENTILER [A18]

KEY	PART NO.	PART NAME	QTY	622	REMARKS
1	W40428	ROCKER ARM	2	X	(SUB AM109395)
2	M76092	NUT	2	X	
3	M76091	SCREW	2	X	
4	W40507	WASHER	1	X	NSEP, (ORDER AM109395)
5	W40430	CLIP	1	X	NSEP, (ORDER AM109395)
6	W40429	ROCKER ARM SHAFT	1	X	(SUB AM109395)
7	M70212	PUSH ROD	2	X	
8	M70213	TAPPET	2	X	(SUB AM109185)
9	W40421	SPRING	1	X	
10	AW26832	CAMSHAFT	1	X	(SUB AM109185)
11	M72002	INTAKE VALVE	1	X	
12	W40427	EXHAUST VALVE	1	X	(SUB AM109192)
13	M70033	WIRE	2	X	(SUB AM116041 FOR INTAKE) (SUB AM109192 FOR EXHAUST)
14	M70034	SEAL	1	X	
15	M70206	SPRING	2	X	(SUB AM116041 FOR INTAKE) (SUB AM109192 FOR EXHAUST)
16	M72322	WIRE	2	X	(SUB AM116041 FOR INTAKE) (SUB AM109192 FOR EXHAUST)
17	M72323	NUT	2	X	SET OF TWO HALVES (SUB AM116041 FOR INTAKE) (SUB AM109192 FOR EXHAUST)
18	AM109185	CAMSHAFT	1	X	
19	AM116041	VALVE TRAIN KIT	1	X	INTAKE VALVE
20	AM109192	EXHAUST VALVE	1	X	EXHAUST VALVE
21	AM109394	KIT	1	X	
22	AM109395	ROCKER ARM	1	X	



Thank you so much for reading.
Please click the “Buy Now!”
button below to download the
complete manual.



After you pay.

You can download the most
perfect and complete manual in
the world immediately.

Our support email:

ebooklibonline@outlook.com