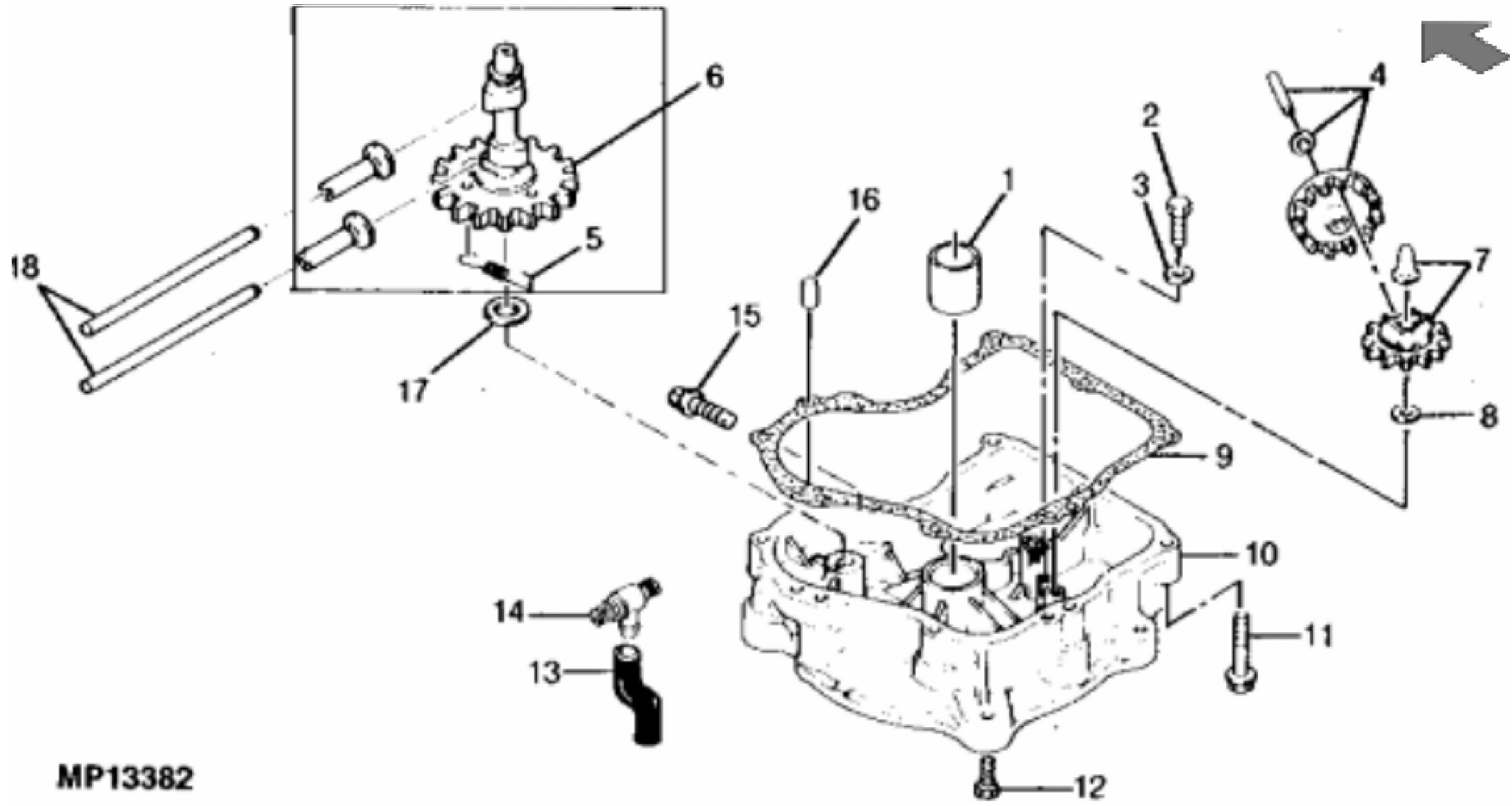


MP5598

John Deere > Turf And Utility > MOWER, RIDING > SRX95 - MOWER, RIDING > SRX75 and SRX95 Riding Mowers > 20 9 HP KAWASAKI ENGINE MODEL (FC290V) > 20-1 - SRX75 ENGINE AND SHORTBLOCK
 MOTEUR ET BLOC COURT MOTOR UND KURTZBLOC MOTORE E BLOCCO CORTO MOTOR Y BLOQUE CORTO MOTOR OCH KORTBLOCK [A16]

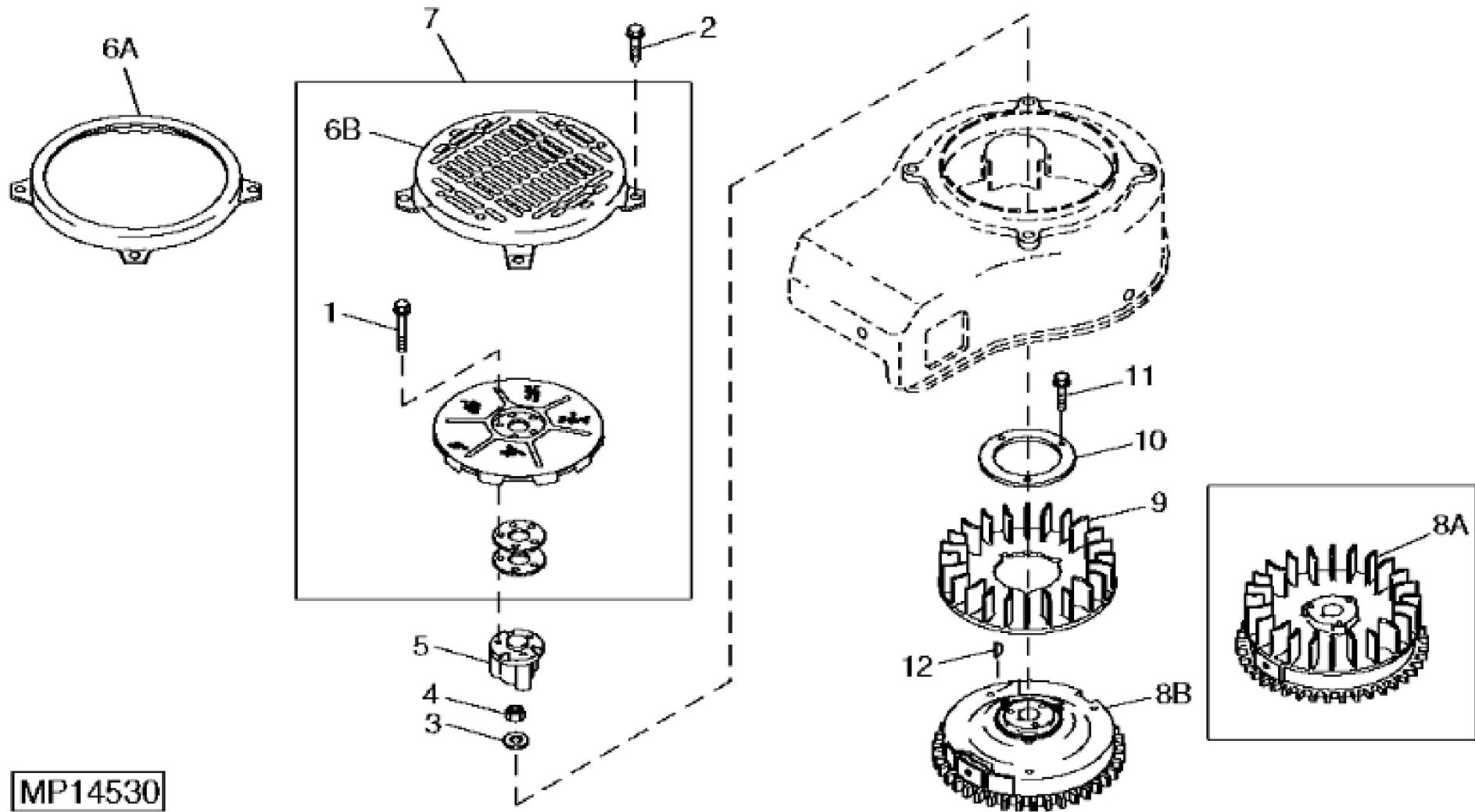
KEY	PART NO.	PART NAME	QTY	Engine Serial No.	REMARKS
1	AM121920	SHORT BLOCK ASSEMBLY	1		(SUB FOR AM104800)
..	AM115829	ELECTRIC MOTOR	1		9 HP (FC290V-CS10) (SUB AM121606)
..	AM121606	ENGINE	1	A00001-A00600	9 HP (FC290V-DS10) (SUB AM121631)
..	AM121631	ENGINE	1	A00777-A06480	(*) 9 HP (FC290V-FS10) (SUB AM122328)
..	AM122328	GASOLINE ENGINE	1	A06481-_____	9 HP (FC290V-GS10) (CARB CERTIFIED)
..	AM109303	GASKET KIT	1		ENGINE



MP13382

John Deere > Turf And Utility >MOWER, RIDING >SRX95 - MOWER, RIDING >SRX75 and SRX95 Riding Mowers >20 9 HP KAWASAKI ENGINE MODEL (FC290V) >20-3 - SRX75 ENGINE BASE, OIL SLINGER, GOVERNOR AND CAMSHAFT BASE DU MOTEUR, DEFLECTEUR D'HUILE REGULATEUR ET ARBRE A CAMES MOTORBASIS, OELSCHLEUDERRING, DREHZAHLREGLER UND NOCKENWELLE BASE DEL MOTORE, DEFLETTORE D'OLIO, REGOLATORE ED ALBERO A CAMME BASE DEL [A17]

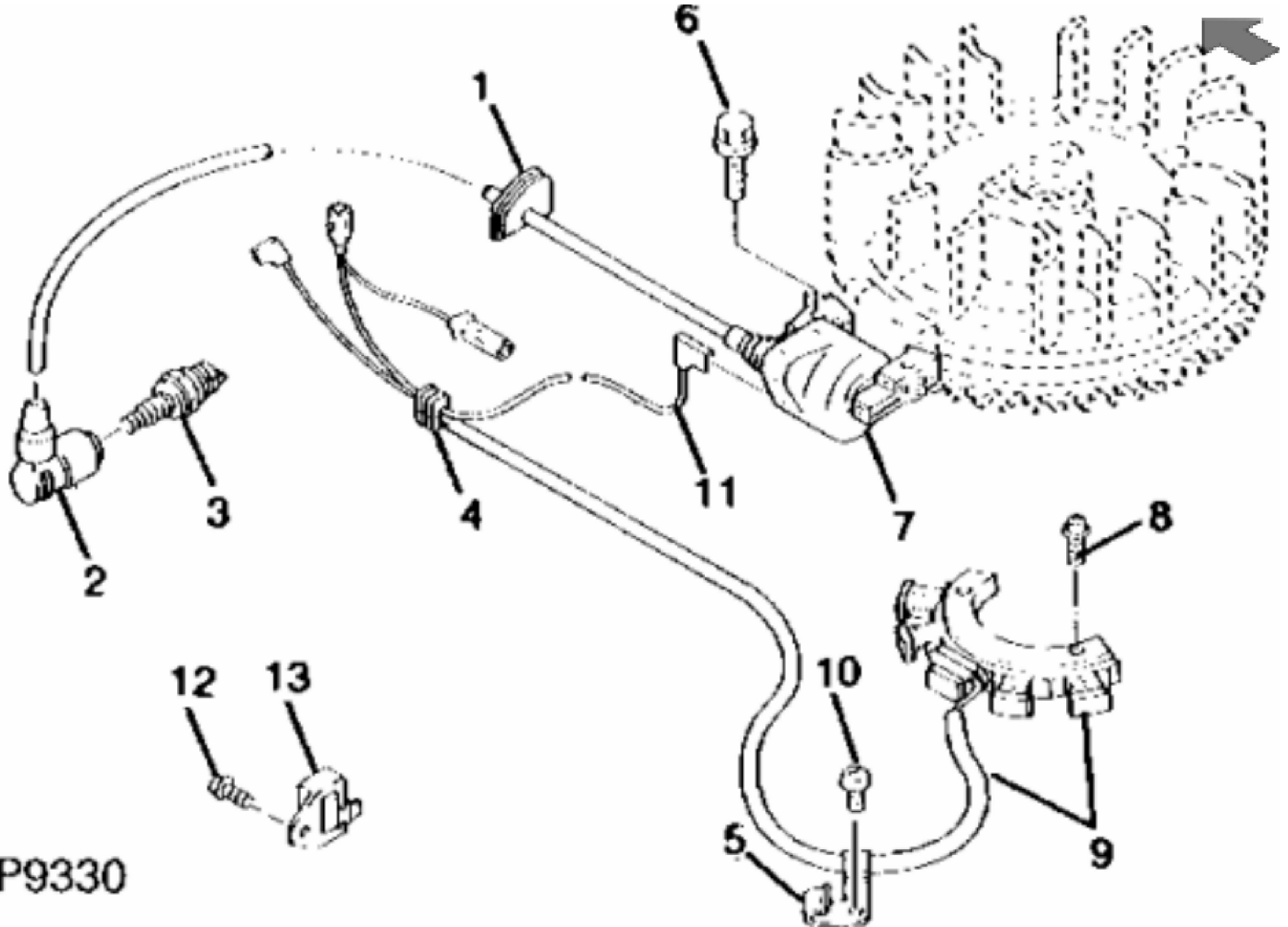
KEY	PART NO.	PART NAME	QTY	REMARKS
1	M70266	BEARING	1	
2	M70271	BOLT	1	
3	M118372	WASHER	1	(SUB FOR M70272)
4	AM116031	KIT	1	(SUB FOR M70268, M70269 AND M118373)
5	M70214	SPRING	1	
6	AM116032	KIT	1	(SUB FOR AM102608 AND (2) M70213)
7	AM104507	GOVERNOR	1	(SUB FOR AM109189)
8	M95856	WASHER	1	(SUB FOR PT12218)
9	M97281	GASKET	1	(KIT AM109303)
10	AM102622	COVER	1	(INCLUDES M70266)
11	19M8318	SCREW	8	M8 X 45 (HS, HEAD MARKED 10.9)
12	19M7866	SCREW	3	M8 X 20 (HS, HEAD MARKED 10.9)
12	19M7922	CAP SCREW	1	(A) M8 X 40 (HS, HEAD MARKED 10.9) RH FRONT
12	12H334	LOCK WASHER	1	(A) 5/16", RH FRONT
13	M96335	HOSE	1	
14	AM107911	DRAIN VALVE	1	
15	M73312	PLUG	1	
16	M74252	PIN	2	
17	AM102609	SHIM	AR	KIT 1.60 MM (.063") TO 1.95 MM (.078")
18	M70212	PUSH ROD	2	



MP14530

John Deere > Turf And Utility >MOWER, RIDING >SRX95 - MOWER, RIDING >SRX75 and SRX95 Riding Mowers >20 9 HP KAWASAKI ENGINE MODEL (FC290V) >20-4 - SRX75 FLYWHEEL AND SCREEN
 VOLANT-MOTEUR ET ECRAN SCHWUNGRAD UND GITTER VOLANO E SCHERMO VOLANTE Y REJILLA BALANSHJUL OCH SKAERM [A18]

KEY	PART NO.	PART NAME	QTY	REMARKS
1	M70255	SCREW	3	
2	19M7861	SCREW	4	M6 X 10 (HS, HEAD MARKED 10.9)
3	M70280	WASHER	1	
4	M73821	NUT	1	
5	M70251	BRACKET	1	
6A	GUARD	1	(ORDER AM116035)
6B	M76927	GUARD	1	
7	AM116035	KIT	1	(SUB FOR (3) M70255, (3) M70253, M70252 AND M76927)
8A	AM102624	FLYWHEEL	1	(FC290V-DS10)
8B	AM121183	FLYWHEEL	1	(FC290V-FS10)(FC290V-GS10)
9	M123681	FAN	1	FLYWHEEL (FC290V-FS10)(FC290-GS10)
10	M123756	PLATE	1	(FC290V-FS10)(FC290V-GS10)
11	19M7861	SCREW	3	M6 X 10, PLATE TO FAN (FC290V-FS10)(FC290V-GS10)
12	M77843	SHAFT KEY	1	(FC290V-FS10)(FC290V-GS10)



MP9330

Thank you so much for reading.
Please click the “Buy Now!”
button below to download the
complete manual.



After you pay.

You can download the most
perfect and complete manual in
the world immediately.

Our support email:

ebooklibonline@outlook.com