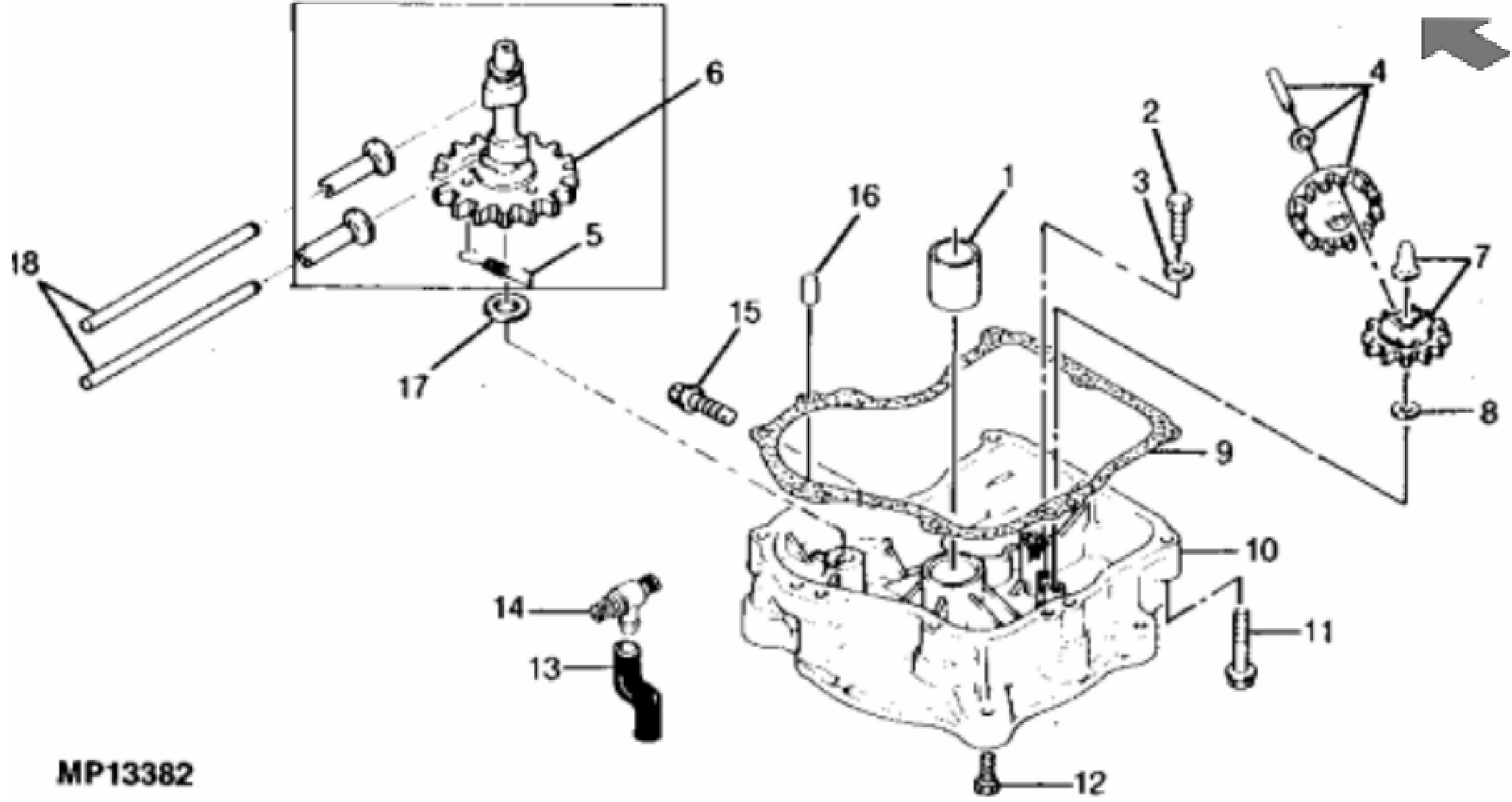


MP5598

John Deere > Turf And Utility > MOWER, RIDING > GX95 - MOWER, RIDING > GX70, GX75 and GX95 Riding Mowers > 20 ENGINE (GX70 AND GX75) > 20-1 - GX70 AND GX75 ENGINE AND SHORTBLOCK
 MOTEUR ET BLOC COURT MOTOR UND KURZBLOCK MOTORE E BLOCCO CORTO MOTOR Y BLOQUE CORTO MOTOR OCH KORTBLOCK [A16]

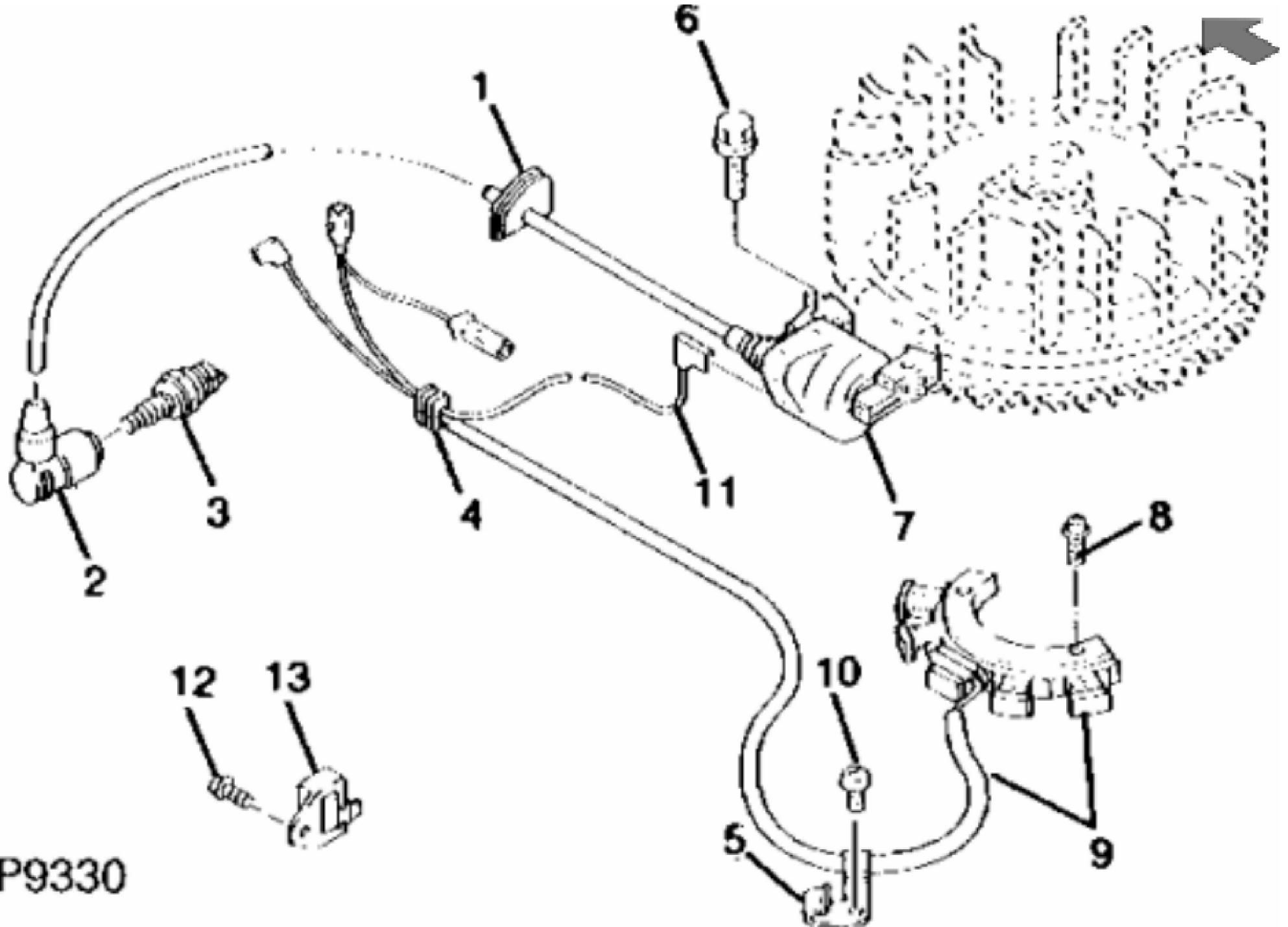
KEY	PART NO.	PART NAME	QTY	GX70	GX75	REMARKS
1	AM121920	SHORT BLOCK ASSEMBLY	1			(SUB FOR AM104800)
..	AM115828	ENGINE	1	X		9 HP (FC290V-DS01)
..	AM115829	ELECTRIC MOTOR	1		X	9 HP (FC290V-CS10) (SUB AM121606)
..	AM121606	ENGINE	1		X	9 HP (FC290V-DS10) (SUB AM121631)
..	AM121631	ENGINE	1			(* 9 HP (FC290V-FS10) (SUB AM122328)
..	AM122328	GASOLINE ENGINE	1			9 HP (FC290V-GS10) (CARB. CERTIFIED)
..	AM109303	GASKET KIT	1			



MP13382

John Deere > Turf And Utility > MOWER, RIDING > GX95 - MOWER, RIDING > GX70, GX75 and GX95 Riding Mowers > 20 ENGINE (GX70 AND GX75) > 20-2 - GX70, GX75 ENGINE BASE, OIL SLINGER, GOVERNOR AND CAMSHAFT BASE DU MOTOR, DEFLECTEUR D'HUILE, REGULATEUR ET ARBRE A CAMES MOTORBASIS, OELSCHLEUDERRING, DREHZAHLREGLER UND NOCKENWELLE BASE DEL MOTORE, DEFLETTORE D'OLIO, REGOLATORE ED ALBERO A CAMME BASE [A17]

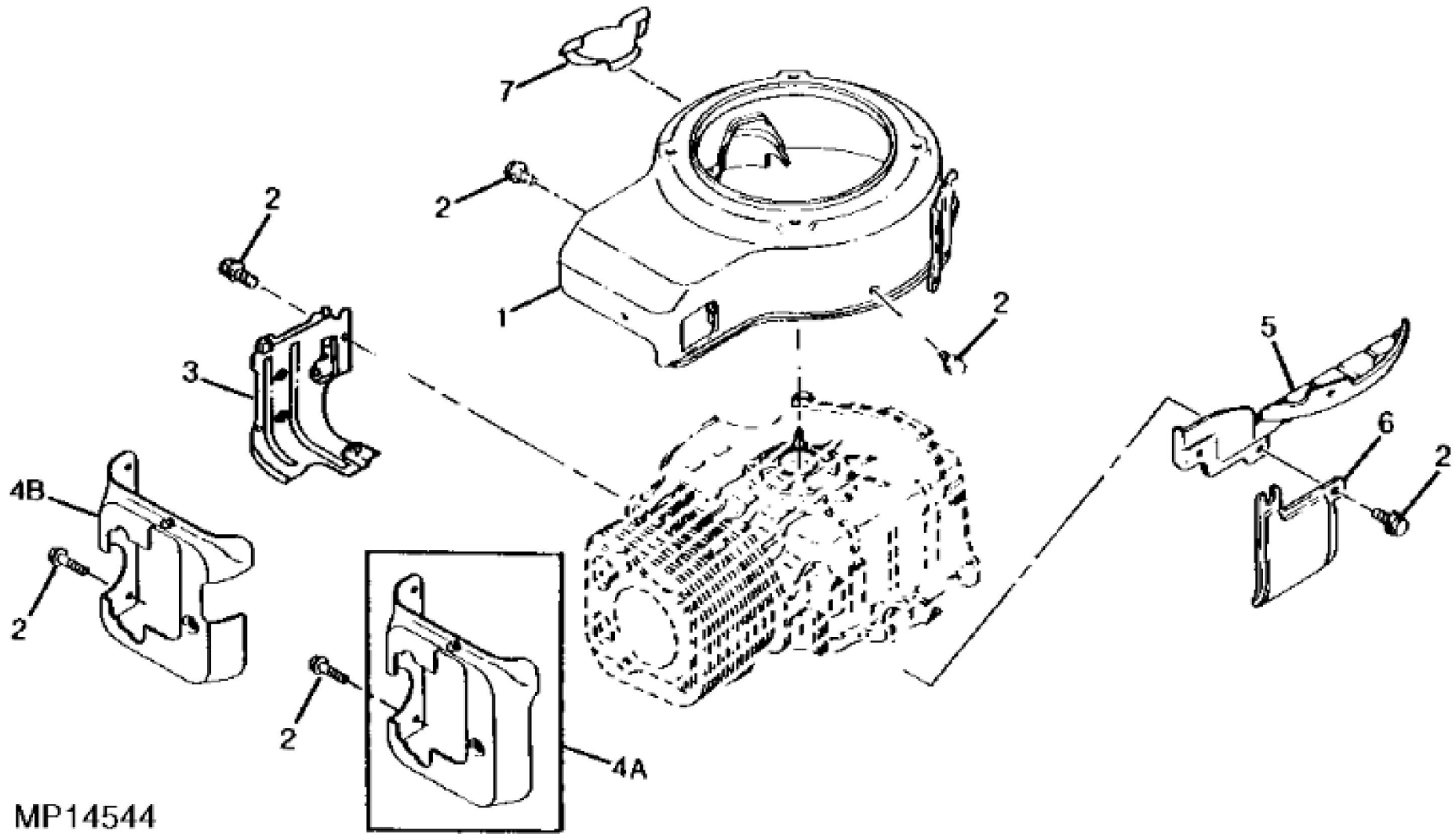
KEY	PART NO.	PART NAME	QTY	REMARKS
1	M70266	BEARING	1	
2	M70271	BOLT	1	
3	M118372	WASHER	1	(SUB FOR M70272)
4	AM116031	KIT	1	(SUB FOR M70268, M70269 AND M118373)
5	M70214	SPRING	1	
6	AM116032	KIT	1	(SUB FOR AM102608 AND (2) M70213)
7	AM104507	GOVERNOR	1	(SUB FOR AM109189)
8	M95856	WASHER	1	(SUB FOR PT12218)
9	M97281	GASKET	1	(KIT AM109303)
10	AM102622	COVER	1	(INCLUDES M70266)
11	19M8318	SCREW	8	M8 X 45 (HS, HEAD MARKED 10.9)
12	19M7866	SCREW	3	M8 X 20 (HS, HEAD MARKED 10.9)
12	19M7922	CAP SCREW	1	(A) M8 X 40 (HS, HEAD MARKED 10.9) RH FRONT
12	12H334	LOCK WASHER	1	(A) 5/16", RH FRONT
13	M96335	HOSE	1	
14	AM107911	DRAIN VALVE	1	
15	M73312	PLUG	1	
16	M74252	PIN	2	
17	AM102609	SHIM	AR	KIT 1.60 MM (.063") TO 1.95 MM (.078")
18	M70212	PUSH ROD	2	



MP9330

John Deere > Turf And Utility >MOWER, RIDING >GX95 - MOWER, RIDING >GX70, GX75 and GX95 Riding Mowers >20 ENGINE (GX70 AND GX75) >20-3 - GX70, GX75 ENGINE ELECTRICAL SYSTEM
 CIRCUIT ELECTRIQUE DU MOTEUR MOTOR-ELEKTRISCHE ANLAGE SISTEMA ELETTRICO DEL MOTORE SISTEMA ELECTRICO DEL MOTOR ELSYSTEM FOER MOTOR [A18]

KEY	PART NO.	PART NAME	QTY	GX75	REMARKS
1	M70118	GROMMET	1		
2	M88905	CAP	1		
3	M802138	SPARK PLUG	1		
4	M88485	GROMMET	1		
5	M70116	CLAMP	1		
6	M70278	BOLT	2		
7	M70276	ELECTRICAL COIL	1		(ENGINE NO. FC290V-DS10)
7	AM121830	FIELD WINDING COIL	1		(ENGINE NO. FC290V-FS10)(FC290V-GS10)
8	21M7206	SCREW	2	X	M6 X 20
8	24M7267	WASHER	2	X	6.400 X 11 X 1.600 MM
9	AM107484	ELECTRICAL COIL	1	X	(GX75)
10	M95848	SCREW	1		
10	24M7087	WASHER	1		5.500 X 10 X 1 MM
11	M70115	WIRE	1		(ENGINE NO. FC290V-DS10)
11	M123682	WIRING LEAD	1		(ENGINE NO. FC290V-FS10)(FC290V-GS10)
12	M88493	SCREW	1	X	
13	M73484	ELECTRICAL COIL	1	X	



Thank you so much for reading.
Please click the “Buy Now!”
button below to download the
complete manual.



After you pay.

You can download the most
perfect and complete manual in
the world immediately.

Our support email:

ebooklibonline@outlook.com