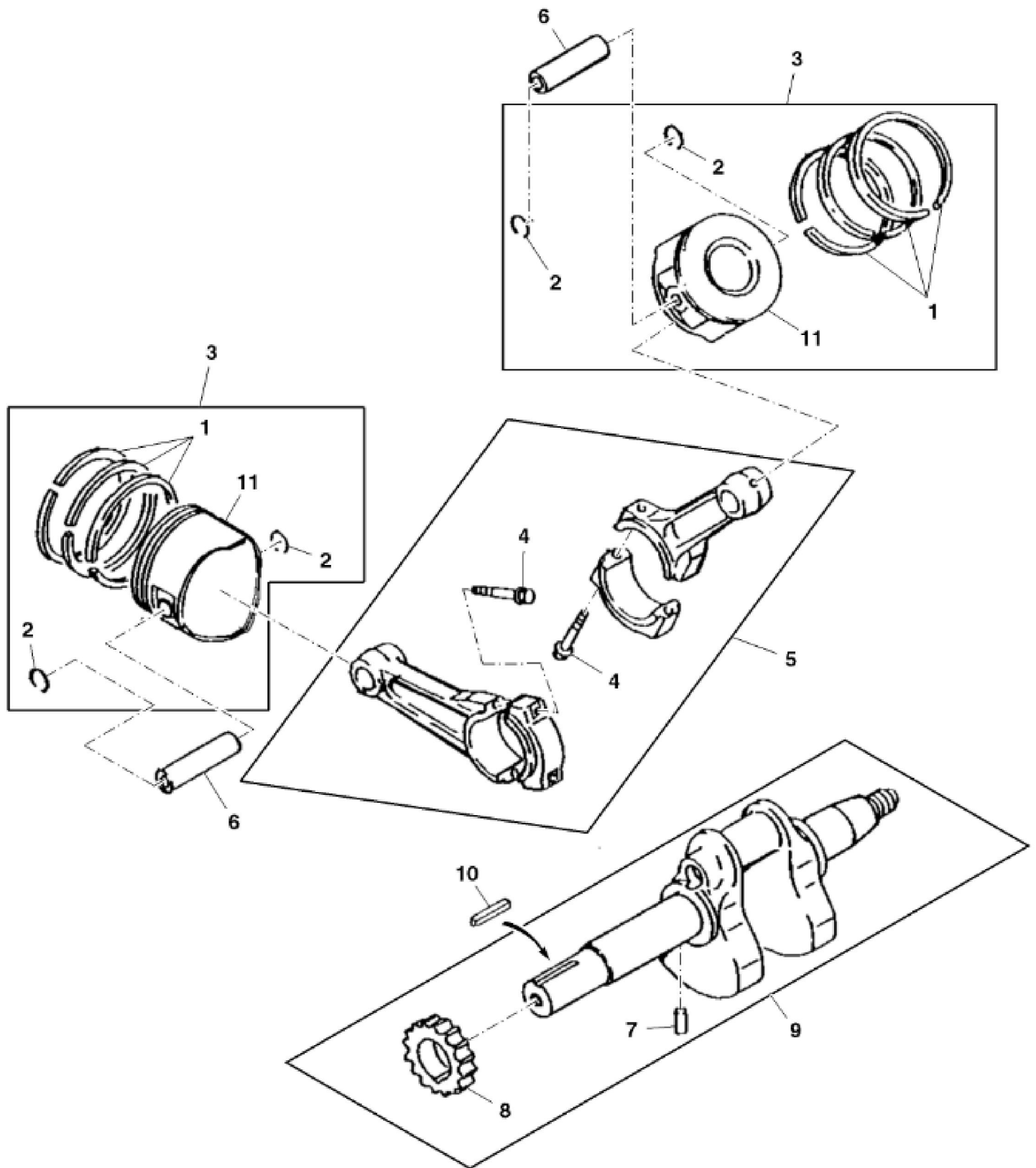
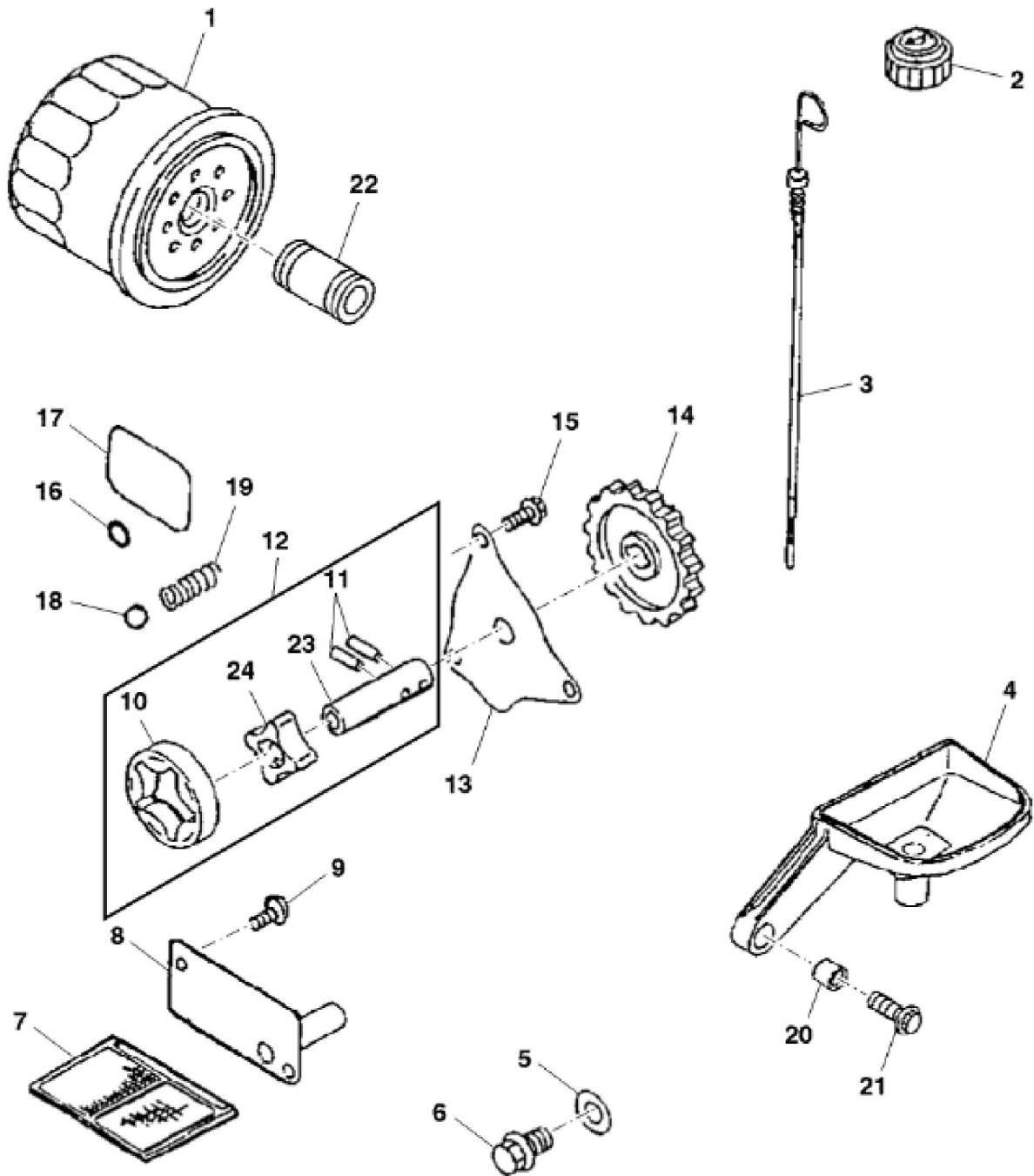


PU01765

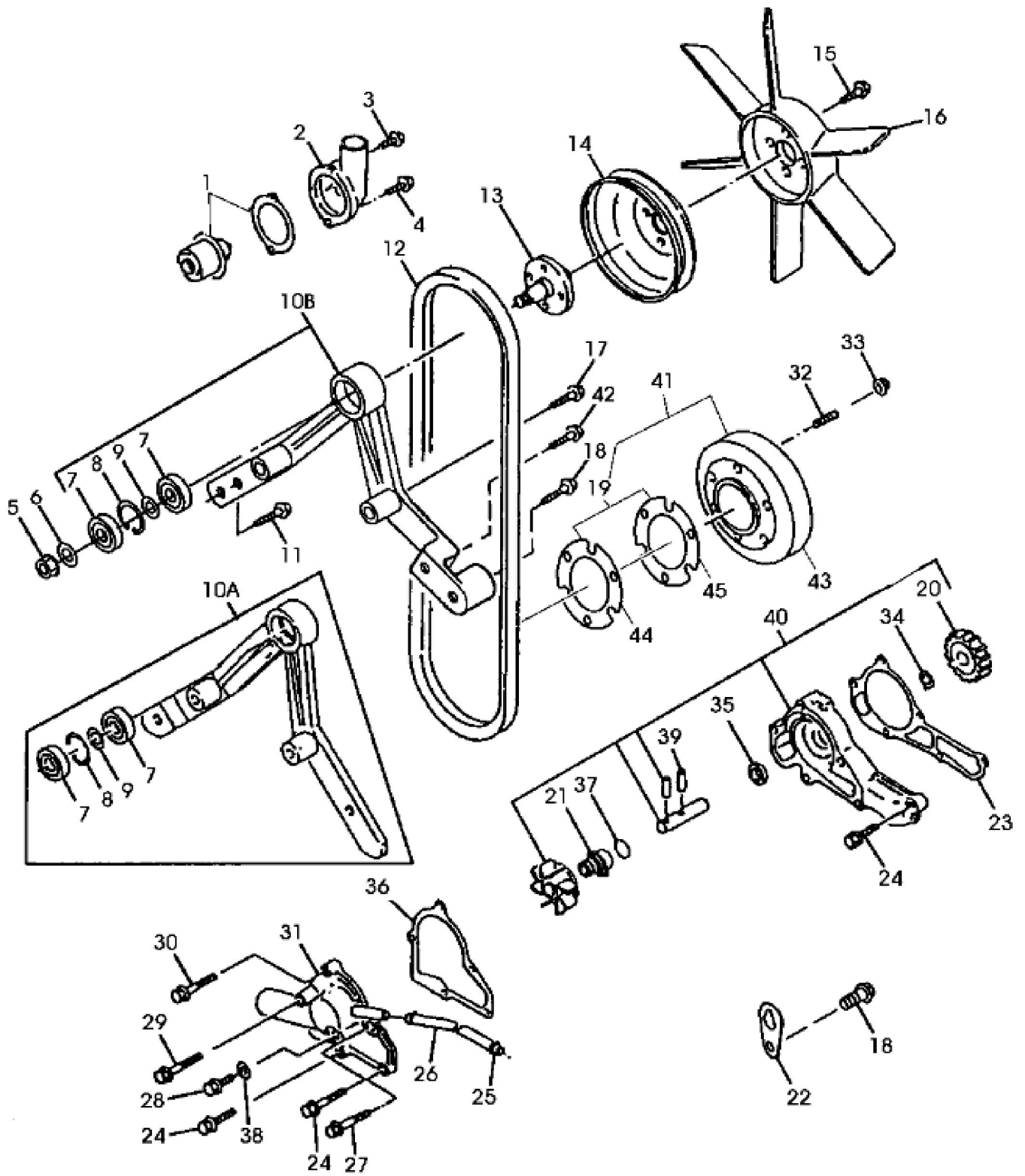
KEY	PART NO.	PART NAME	QTY	REMARKS
1	M118834	TUBE	1	NLA
2	M77734	CLAMP	2	
3	M76125	VALVE	1	
4	M76124	PLATE	1	
5	M95848	SCREW	1	SUB FOR M97314
6	M114464	GASKET	1	SUB FOR M97312
7	M97314	COVER	1	
8	19M7865	SCREW	4	M8 X 16
9	MIU11358	GASKET	2	SUB FOR M76072
10	AM109415	GASKET KIT	1	Rocker Case And Gasket
11	M76073	BUSHING	8	
12	19M7863	SCREW	8	M6 X 25
13	MIU11988	BOLT	10	SUB FOR M118772
14	M131853	BOLT	2	SUB FOR M123635
15	M97309	ENGINE CYLINDER HEAD GASKET	2	
16	M70227	PIN	6	
17	M139489	CYLINDER HEAD	1	SUB FOR M97311
18	MIU12135	BEARING	1	SUB FOR M97316
19	MIA12865	CRANKCASE	1	SUB FOR AM126299
20	M76154	SEAL	2	SUB FOR (2) M76128
21	19M7864	SCREW	2	M8 X 12
22	MIU14495	GASKET	2	SUB FOR M76150
23	M139016	GASKET	1	SUB FOR M117934; ALSO ORDER M76103 AND M76104
24	MIU14322	COVER	1	SUB FOR M132671
25	19M8318	SCREW	6	M8 X 45
26	M139490	BOLT	2	SUB FOR (2) M94242
27	M139488	CYLINDER HEAD	1	SUB FOR M97310
28	M76071	CASE	1	
29	M131853	BOLT	2	SUB FOR M123635
30	M88987	SEAL	1	
31	M121998	DIPSTICK TUBE	1	SUB FOR M115402
32	M117034	O-RING	1	
33	M127431	ADAPTER FITTING	1	
34	M138625	PIN	1	



KEY	PART NO.	PART NAME	QTY	REMARKS
1	M97319	PISTON RING KIT	2	Standard
1	M97328	RING	AR	0.50 (OS)
2	M76120	SNAP RING	2	
3	AM109377	PISTON RING KIT	2	ORDER M76120, M97319 and MIU13854; Standard
3	AM109383	PISTON RING KIT	2	0.50 (OS), ORDER M76120, M97328 and M97331
4	M147310	BOLT	4	SUB FOR PT12040
5	AM133731	CONNECTING ROD	2	SUB FOR AM105565
5	AM106252	CONNECTING ROD	AR	0.50 (US)
5	MIA12487	CONNECTING ROD	2	SUB FOR AM133731
6	M76119	PIN	2	
7	M76122	DOWEL PIN	1	USE WITH AM109385
8	M76121	SPUR GEAR	1	USE WITH AM109385
8	MIU14323	SPUR GEAR	1	ORDER MIA12866
9	MIA12866	CRANKSHAFT	1	SUB FOR AM109385
10	SHAFT KEY	1	MAKE FROM H64374
11	MIU13854	PISTON	2	
11	M97331	PISTON	2	0.05 OS



KEY	PART NO.	PART NAME	QTY	REMARKS
1	AM107423	OIL FILTER	1	
2	M114465	CAP	1	(SUB FOR M97335) (SUB M147324 AND M147334)
3	M121997	DIPSTICK	1	(SUB FOR M97336 OR M121179)
4	M79373	TRAY	1	
5	M113678	GASKET	1	(A)
5	M76158	GASKET	1	(A)
5	M88482	GASKET	1	(A)
5	PT13876	GASKET	1	(A)
6	PT14207	DRAIN PLUG	1	(A)
7	M96765	SCREEN	1	
8	M97334	PLATE	1	
9	21M7265	SCREW	2	M5 X 12
10	M76141	ROTOR	1	Outer
11	M127265	DOWEL PIN	2	(SUB FOR M76099)
12	AM109371	ROTOR KIT	1	NLA; INCLUDES (2) M127265, M76140, M76141 AND MIU10853; Rotor Pump
13	M76101	COVER	1	
14	M76098	GEAR	1	
15	19M7775	SCREW	3	M6 X 16
16	M76104	O-RING	1	
17	M76103	O-RING	1	
18	M76105	BALL	1	
19	M76102	SPRING	1	
20	M114466	BUSHING	2	
21	19M7866	SCREW	2	M8 X 20
22	M127431	ADAPTER FITTING	1	
23	MIU10853	SHAFT	1	(SUB FOR M76142)
24	M76140	ROTOR	1	Inner
..	AM109035	KIT	1	(NLA), PLUG, (INCLUDES PARTS MARKED WITH (A))



PU00437

Thank you so much for reading.
Please click the “Buy Now!”
button below to download the
complete manual.



After you pay.

You can download the most
perfect and complete manual in
the world immediately.

Our support email:

ebooklibonline@outlook.com