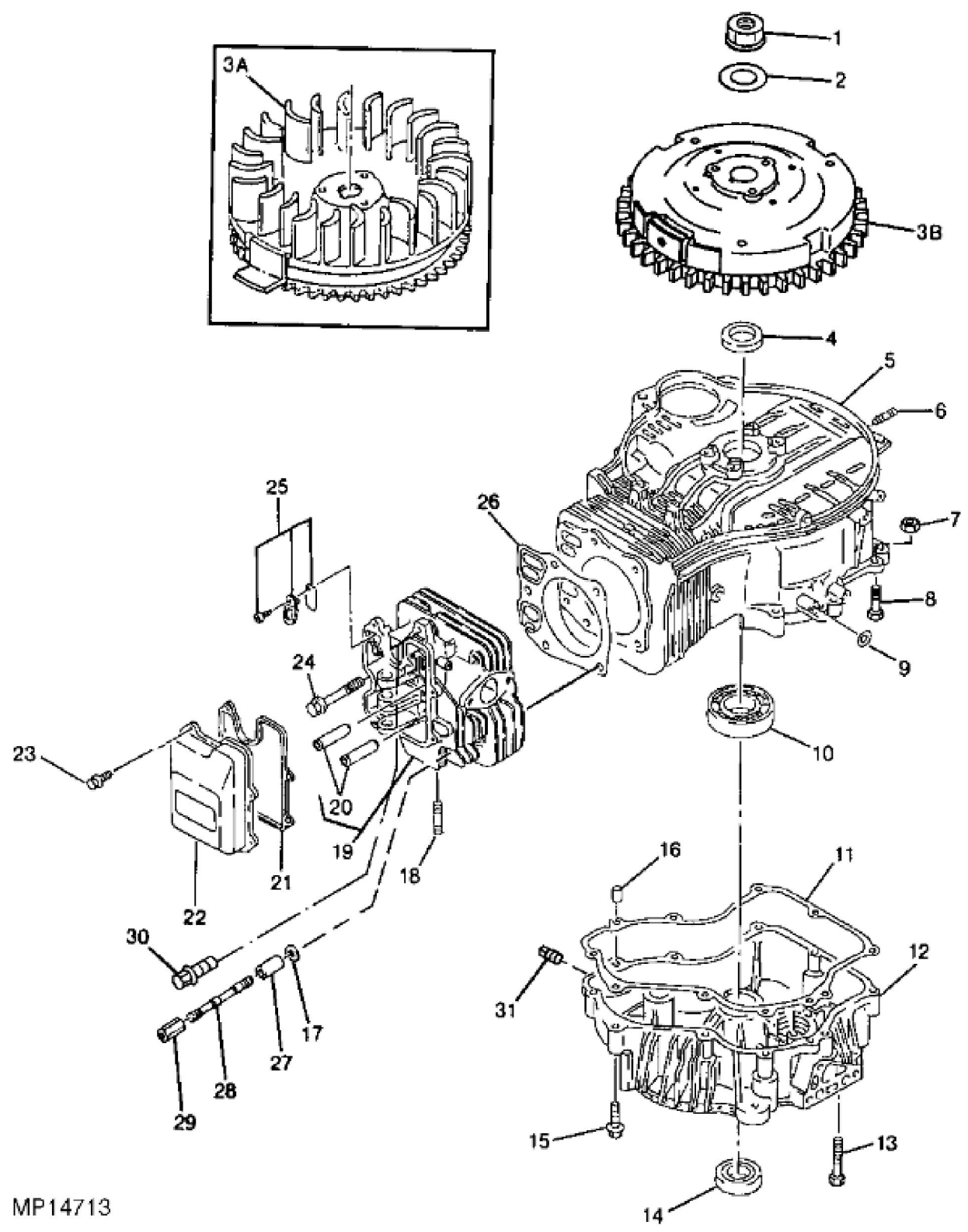


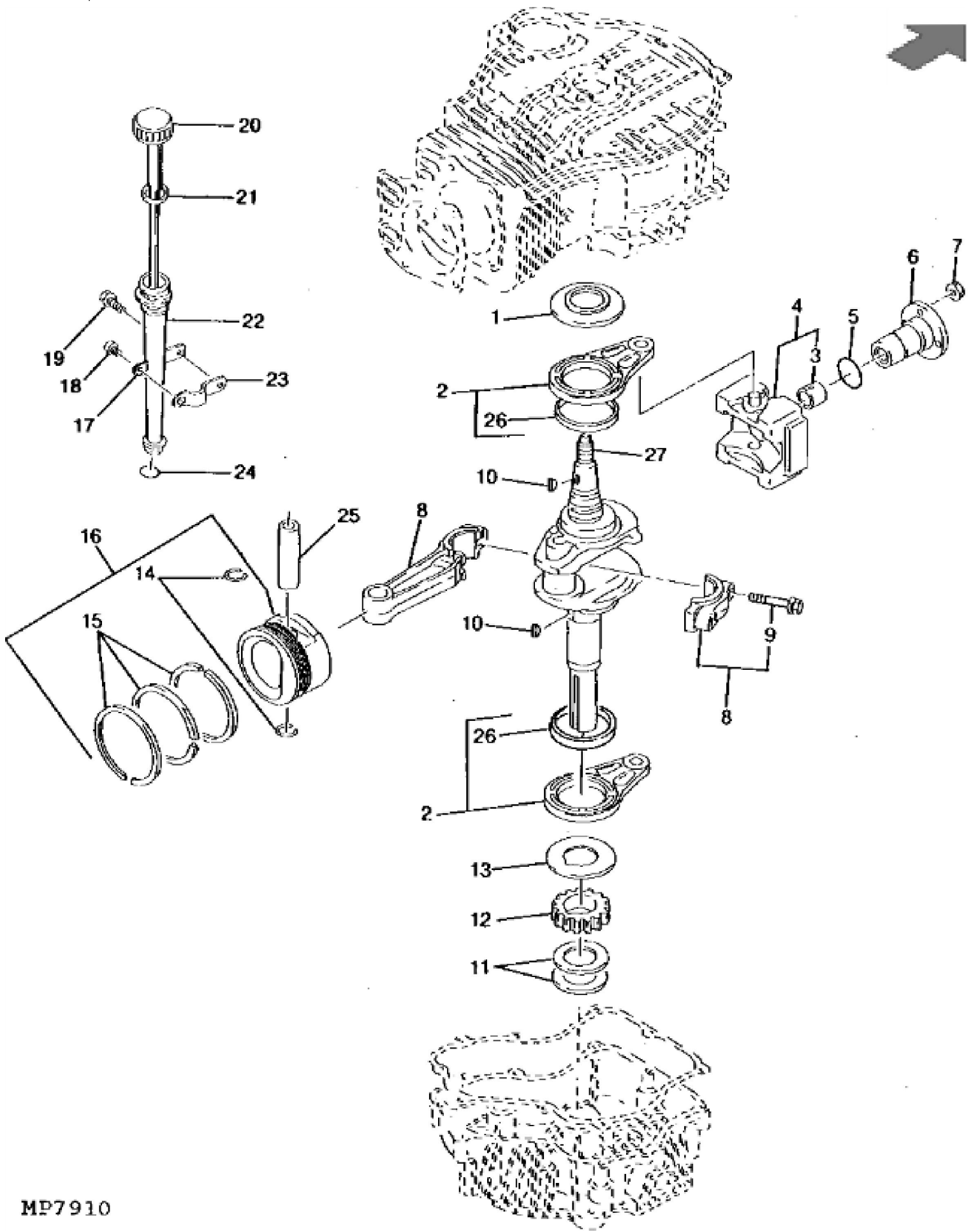
MP9041

| KEY | PART NO. | PART NAME | QTY | Serial No. | REMARKS | |
|-----|----------|----------------------|-----|-------------|--|--|
| 1 | AM121297 | SHORT BLOCK ASSEMBLY | 1 | ____-090000 | | |
| 1 | AM128736 | SHORT BLOCK ASSEMBLY | 1 | 090001-____ | (SUB FOR AM109361 OR AM118818 OR AM121297) | |
| .. | AM124764 | SHORT ENGINE | 1 | | COMPLETE, AIR-COOLED (CARB CERTIFIED) SUB AM128736) (SUB FOR AM105334, AM121609 OR AM122333) | |



MP14713

| KEY | PART NO. | PART NAME | QTY | REMARKS |
|-----|----------|-----------------------------|-----|---|
| 1 | M70119 | NUT | 1 | NLA |
| 2 | M70120 | WASHER | 1 | NLA |
| 3A | AM102381 | FLYWHEEL | 1 | NLA; FC540V-AS12 |
| 3B | AM122178 | FLYWHEEL | 1 | (FC540V-DS12) (FC540V-ES12) (FC540V-FS12) |
| 4 | M88451 | SEAL | 1 | |
| 5 | AM101675 | CRANKCASE | 1 | |
| 6 | M88447 | STUD | 4 | |
| 7 | | NUT | 1 | (NOT USED THIS APPLICATION) |
| 8 | 19M7867 | SCREW | 3 | M8 X 25, ENGINE TO FRAME |
| 8 | 19M7897 | SCREW | 1 | M8 X 35, RH FRONT ENGINE TO FRAME |
| 9 | M88987 | SEAL | 1 | |
| 10 | JD8518 | BALL BEARING | 1 | (SUB FOR M70058 OR CH16424) |
| 11 | M120019 | GASKET | 1 | CRANKCASE (SUB FOR M97267 OR M118781) |
| 12 | AM117183 | COVER | 1 | CRANKCASE (SUB FOR AM104364) |
| 13 | 19M7868 | SCREW | 1 | M8 X 30 |
| 14 | M124523 | SEAL | 1 | (SUB FOR PT13344) |
| 15 | 19M8318 | SCREW | 8 | M8 X 45 |
| 16 | M74252 | PIN | 2 | |
| 17 | M70016 | WASHER | 2 | |
| 18 | MIU11876 | BOLT | 2 | (FC540V-AS12) (SUB FOR PT11965) |
| 18 | M117613 | STUD | 2 | (FC540V-DS12) (FC540V-ES12) (FC540V-FS12) |
| 19 | AM109087 | CYLINDER HEAD | 1 | |
| 20 | M97251 | BRACKET | 2 | VALVE |
| 21 | M70018 | GASKET | 1 | ROCKER ARM COVER |
| 22 | M70017 | COVER | 1 | ROCKER ARM |
| 23 | 19M7775 | SCREW | 4 | M6 X 16 |
| 24 | M77751 | BOLT | 1 | |
| 25 | AM109222 | VALVE TRAIN KIT | 1 | VALVE AND PLATE |
| 26 | M77752 | ENGINE CYLINDER HEAD GASKET | 1 | HEAD |
| 27 | M70015 | BUSHING | 2 | |
| 28 | M70013 | STUD | 2 | NLA |
| 29 | M70014 | NUT | 2 | |
| 30 | M70012 | BOLT | 4 | |
| 31 | M123645 | DRAIN PLUG | 1 | NLA; (FC540V-DS12) (FC540V-ES12) |



MP7910

| KEY | PART NO. | PART NAME | QTY | REMARKS |
|-----|----------|-----------------|-----|---------------------------|
| 1 | M70055 | SPACER | 1 | |
| 2 | AM107952 | ROD | 2 | ASSY |
| 3 | M120020 | BEARING | 1 | (SUB FOR M72903) |
| 4 | AM119476 | WEIGHT | 1 | (SUB FOR AM105819) |
| 5 | M70096 | O-RING | 1 | |
| 6 | M70186 | SHAFT | 1 | |
| 7 | M70097 | NUT | 4 | |
| 8 | AM101674 | CONNECTING ROD | 1 | KIT, STD |
| 8 | AM102390 | CONNECTING ROD | 1 | 0.50 MM (0.02") US, KIT |
| 9 | M95850 | PIN | 2 | |
| 10 | M77843 | SHAFT KEY | 2 | |
| 11 | AM102397 | SHIM KIT | 1 | SHIM |
| 12 | M76982 | HELICAL GEAR | 1 | |
| 13 | M70056 | SPACER | 1 | |
| 14 | M70053 | SNAP RING | 2 | |
| 15 | AM101097 | PISTON RING KIT | 1 | STD |
| 15 | AM101099 | PISTON RING KIT | 1 | 150.50 MM (0.02") OS, NLA |
| 16 | AM109362 | PISTON RING KIT | 1 | STD |
| 16 | AM109364 | PISTON RING KIT | 1 | 0.50 MM (0.02") OS, NLA |
| 17 | M97421 | CLAMP | 1 | NLA |
| 18 | 21M7288 | SCREW | 1 | M6 X 10 |
| 19 | 19M7775 | SCREW | 1 | M6 X 16 |
| 20 | AM109257 | GAUGE | 1 | |
| 21 | M88482 | GASKET | 1 | |
| 22 | M70105 | FILLER NECK | 1 | |
| 23 | M97420 | CLAMP | 1 | NLA |
| 24 | M88478 | O-RING | 1 | |
| 25 | M70052 | PISTON PIN | 1 | |
| 26 | M93952 | BEARING | 2 | |
| 27 | AM101673 | CRANKSHAFT | 1 | |

Thank you so much for reading.
Please click the “Buy Now!”
button below to download the
complete manual.



After you pay.

You can download the most
perfect and complete manual in
the world immediately.

Our support email:

ebooklibonline@outlook.com