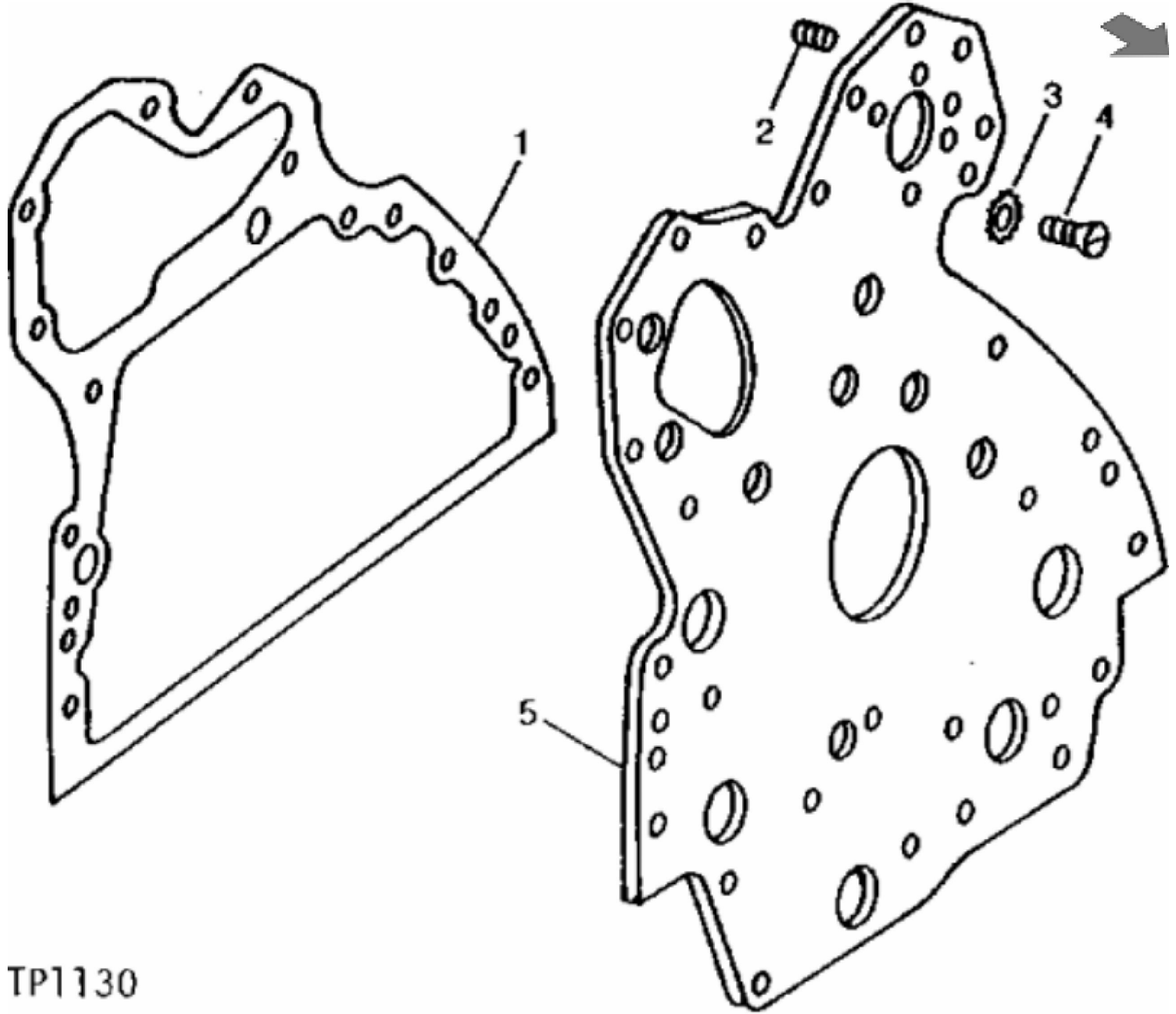


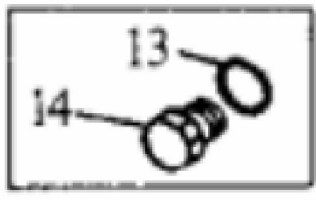
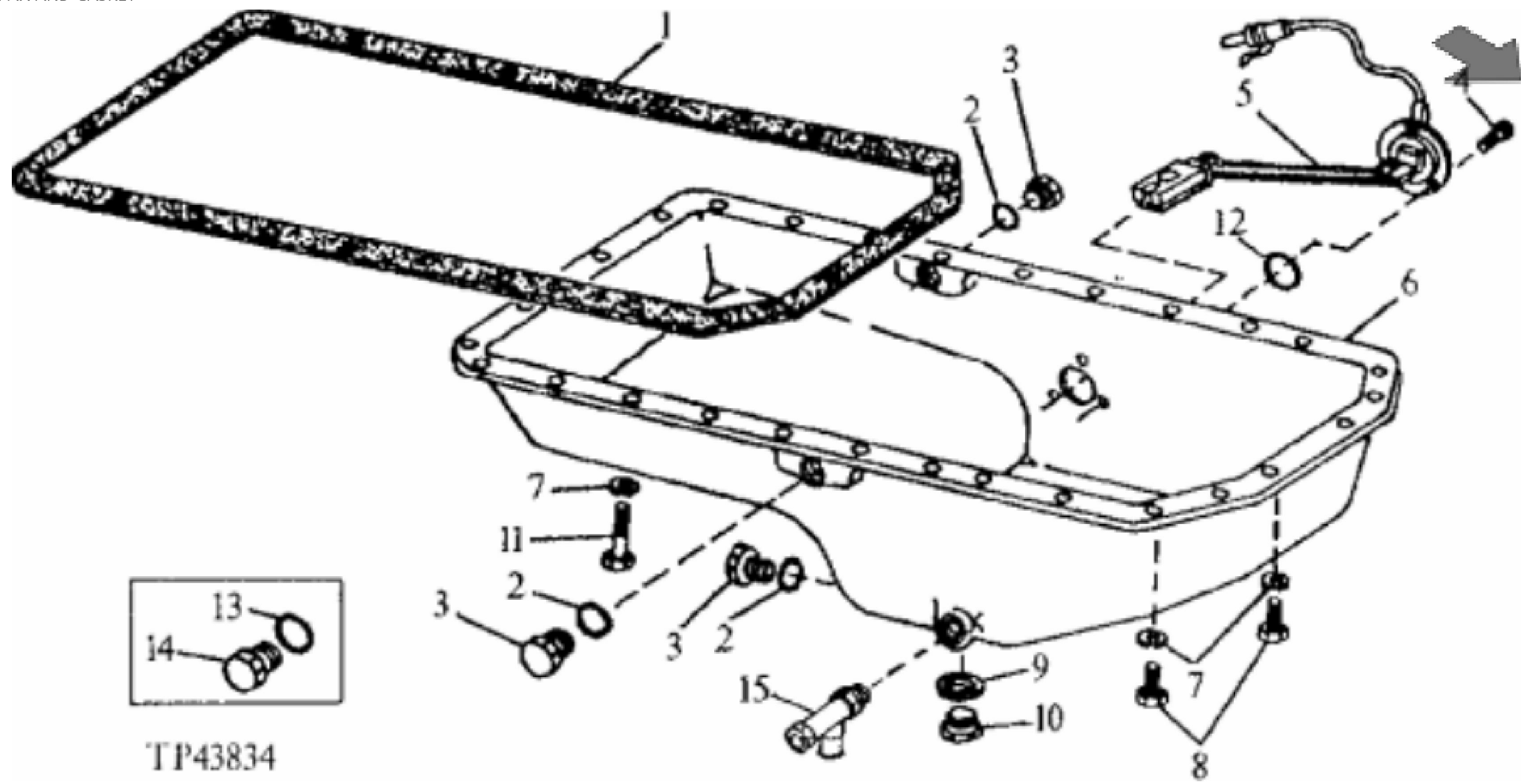
John Deere > Construction And Forestry > EXCAVATOR > 490E - EXCAVATOR > 490E Excavator > 04 ENGINE 4045TT009 > 0404 CYLINDER BLOCK 4045TT009 4045TT009 > ST264243 - CYLINDER BLOCK / MAIN BEARING CAP

KEY	PART NO.	PART NAME	QTY	REMARKS
1	R55233	PIPE PLUG	1	Drain
2	RE57836	PIPE PLUG	1	12.700 mm (1/2"), (SUB FOR 15H624)
3	R48685	DOWEL PIN	4	
4	R39741	DRAIN PLUG	1	(W/O ENGINE COOLANT HEATER)
5	U13639	O-RING	1	(W/O ENGINE COOLANT HEATER)
6	RE57836	PIPE PLUG	1	12.700 mm (1/2"), (SUB FOR 15H561)(W/O TURBOCHARGER)
7	AT145384	SWITCH	1	Engine Oil Pressure
8	R39503	FITTING	1	(W/ TURBOCHARGER)
9	T25701	STUD	1	
9	R122226	STUD	2	(SUB FOR R122226)
10	T18891	PLUG	2	
11	R26493	BUSHING	1	
12	T27658	SPRING	1	
13	R83169	VALVE	1	
14	R111135	VALVE	1	
15	R111137	SPRING	1	
16	R57160	BUSHING	6	
17	R26650	DOWEL PIN	2	
18	R115390	BUSHING	1	
19	R97185	O-RING	1	
20	R65215	BEARING CAP	4	
21	T23474	CAP SCREW	10	
22	T20168	WASHER	10	
23	R79089	CAP	1	
24	R54802	ORIFICE	4	
25	CYLINDER BLOCK	1	
26	R104592	PIPE PLUG	5	
27	15H562	PIPE PLUG	1	1"
28	RE50671	CYLINDER BLOCK	1	(MARKED R108755 OR R124851) (ALSO ORDER R83169, T27658, R112867, R111135 AND R111137)
29	R112867	OIL TUBE	1	OIL PUMP
30	15H623	PIPE PLUG	AR	3/8"



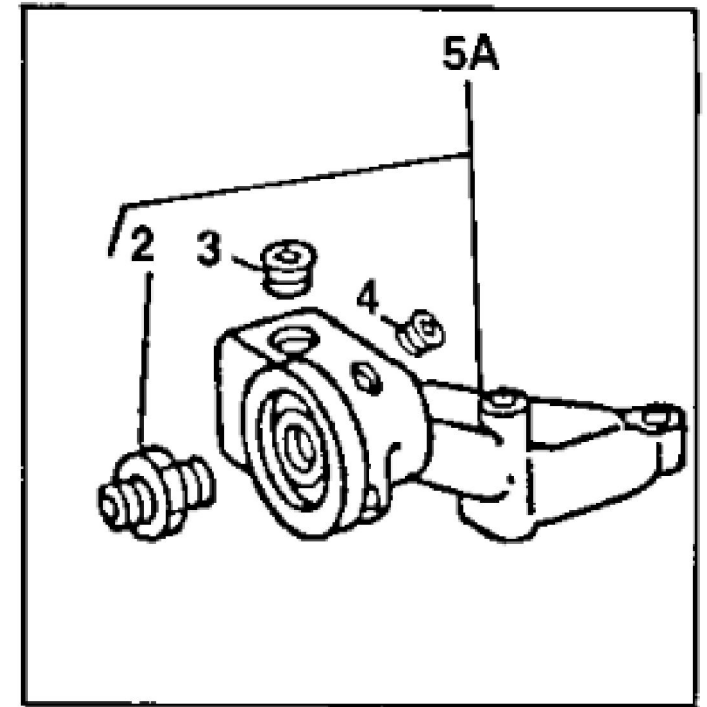
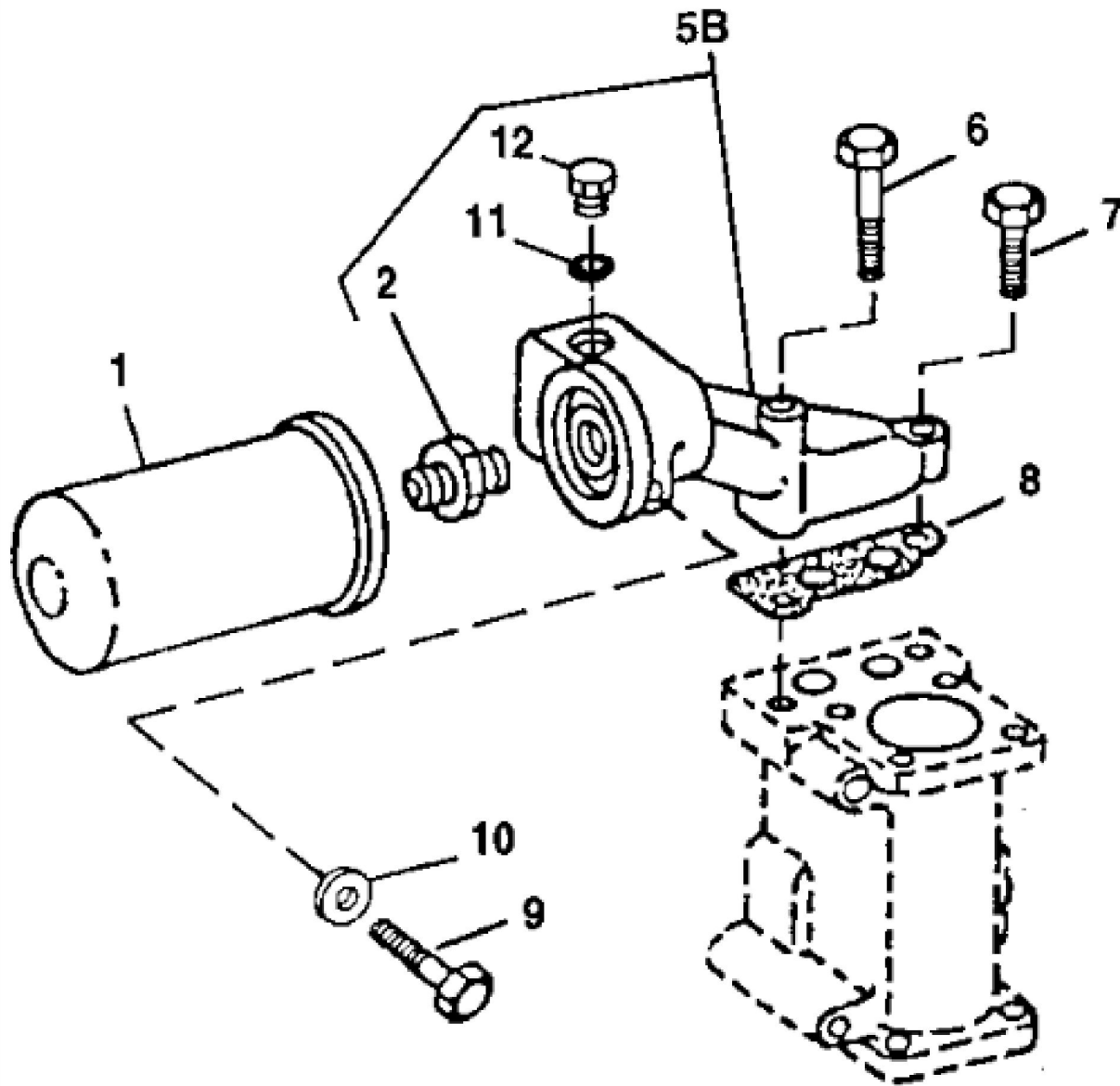
TP1130

KEY	PART NO.	PART NAME	QTY	REMARKS	
1	R131794	GASKET	1	(SUB FOR R90648)	
2	AT21191	SET SCREW	8		
2	AT22919	SET SCREW	2		
3	12H324	WASHER	5	3/8"	
4	T20166	SCREW	5		
5	RE16149	PLATE	1	(ALSO ORDER (2) AT22919 AND (5) AT21191)	



TP43834

KEY	PART NO.	PART NAME	QTY	Engine Serial No.	REMARKS
1	R97342	GASKET	1		
2	R47151	O-RING	3	____-400443	
3	R27474	DRAIN PLUG	3	____-400443	
4	19M8425	CAP SCREW	3		M6 X 16
5	RE16223	SENSOR	1		Engine Oil Level
6	R107751	OIL PAN	1		
7	12H304	LOCK WASHER	28		3/8"
8	19H3411	SCREW	20		3/8" X 1-1/8"
9	T13213	WASHER	1		
10	M1746T	DRAIN PLUG	1		
11	19H3065	CAP SCREW	8		3/8" X 2"
12	R47154	O-RING	1		
13	R47151	O-RING	1	____-400443	
14	R27474	DRAIN PLUG	1	____-400443	
15	AT152180	DRAIN VALVE	1	400444-____	



TP55120

Thank you so much for reading.
Please click the “Buy Now!”
button below to download the
complete manual.



After you pay.

You can download the most
perfect and complete manual in
the world immediately.

Our support email:

ebooklibonline@outlook.com