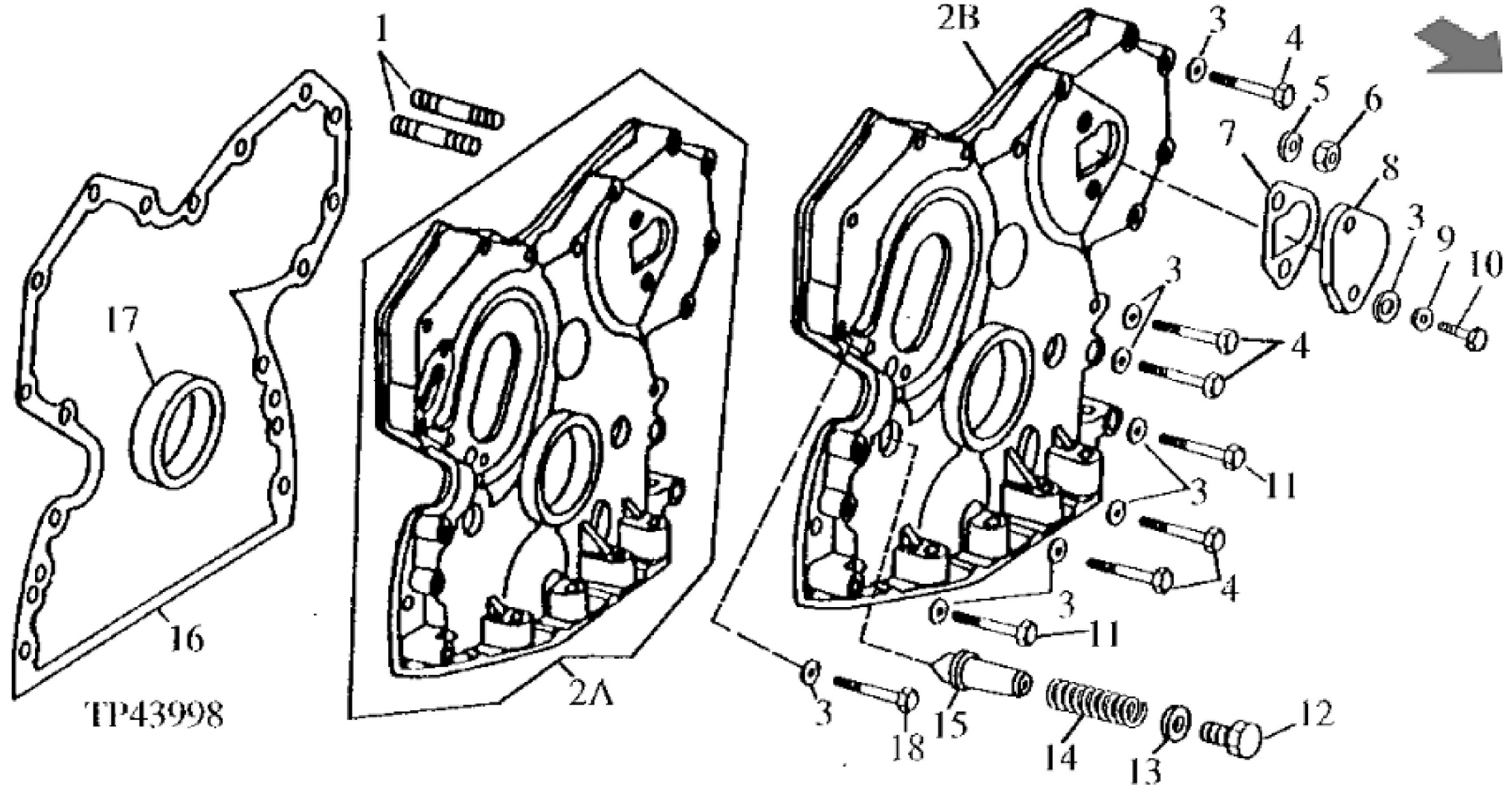


TP29637

John Deere > Construction And Forestry > EXCAVATOR > 790ELC - EXCAVATOR > 790ELC Excavator > 04 ENGINE 6068TT005 > 0402 CAMSHAFT AND VALVE ACTUATING MEANS 6068TT005 6068TT005 > ST298366 - ROCKER ARM COVER

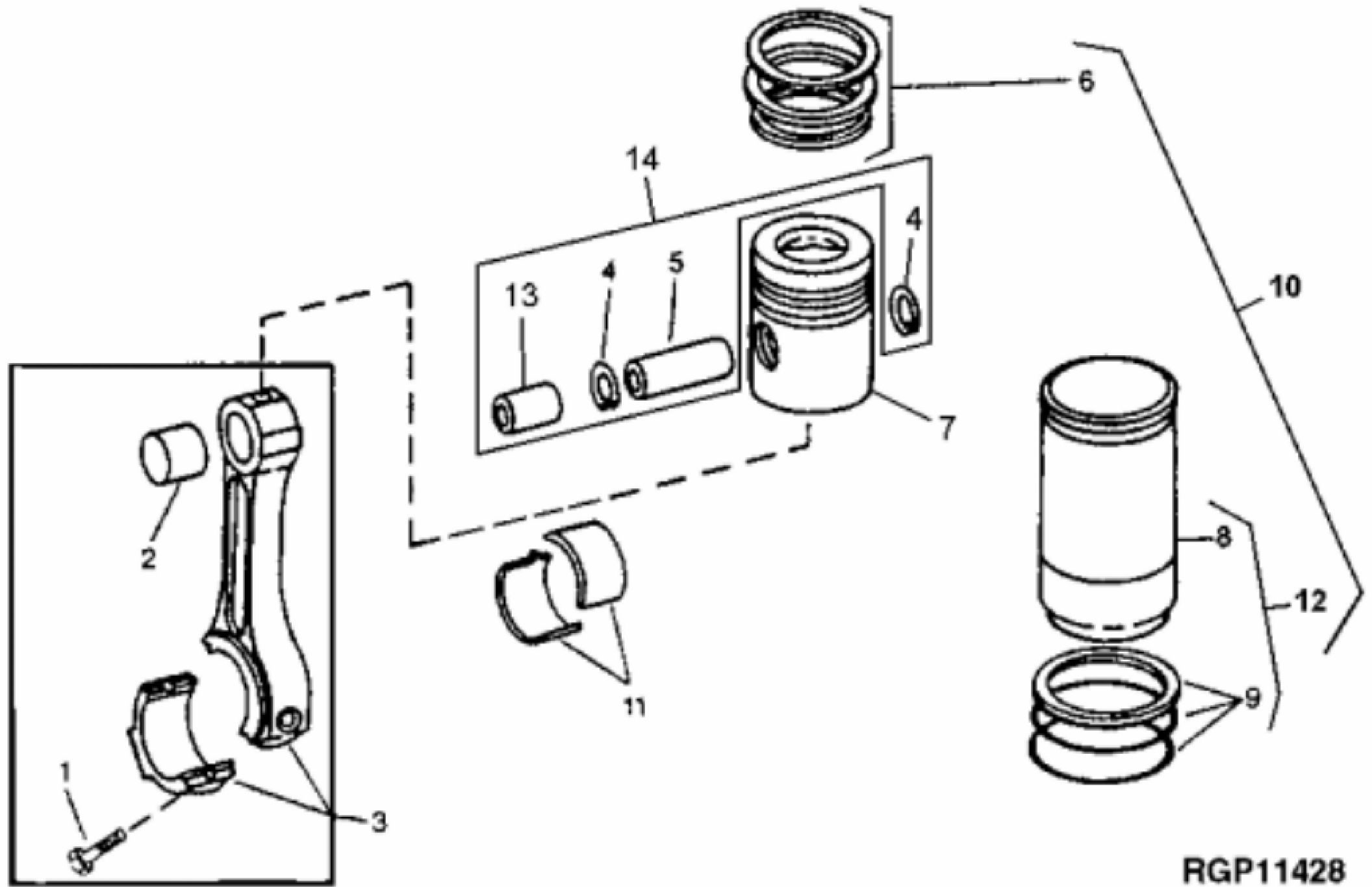
KEY	PART NO.	PART NAME	QTY	REMARKS	
1	AR103811	SCREW WITH WASHER	12	(SUB FOR AR100124)	
2	AR65864	FILLER CAP	1		
3	RE47782	COVER	1		
4	R75728	GASKET	1		

KEY	PART NO.	PART NAME	QTY	Engine Serial No.	REMARKS
1	R54565	PLUG	2		
2	R54986	ROCKER ARM SHAFT	1		(SUB RE502873) (USE WITH 19H3031 AND T20315)
3	T20316	WASHER	2		
4	T20314	SPRING	5		
5	T20315	SUPPORT	6		(SUB RE502861) (USE WITH 19H3031 AND R54986)
6A	RE31973	ROCKER ARM	12	____-379968	
6B	RE62148	ROCKER ARM	12	379969-____	(SUB FOR RE43384)
7	19H3031	CAP SCREW	6		3/8" X 2-1/2"
8	R42729	WASHER	6		
9A	R83429	PUSH ROD	12	____-379968	
9B	R107731	PUSH ROD	12	379969-____	
10	T20073	CAM FOLLOWER	12		
11	R125881	LOCK NUT	12	379969-____	(SUB FOR R119314)3/8-24 HS SAE 8
12	R125880	SCREW	12	379969-____	(SUB FOR R106116)
13	R504813	SELF-LOCKING SCREW	AR		(SUB FOR R501529)
13	19H3031	CAP SCREW	AR		3/8" X 2-1/2"
14	R123161	SUPPORT	6		
15	R123514	ROCKER ARM SHAFT	1		
16	RE502873	ROCKER ARM SHAFT	1		
17	RE502861	SUPPORT	1		



John Deere > Construction And Forestry > EXCAVATOR > 790ELC - EXCAVATOR > 790ELC Excavator > 04 ENGINE 6068TT005 > 0402 CAMSHAFT AND VALVE ACTUATING MEANS 6068TT005 6068TT005
 >ST298368 - TIMING GEAR COVER

KEY	PART NO.	PART NAME	QTY	Engine Serial No.	REMARKS
1	R122226	STUD	2		(SUB FOR R122226)
2A	RE39252	COVER	1	____-426683	WITH INSERTS
2B	RE56443	COVER	1	426684-____	
3	24M7106	WASHER	16		10 X 18 X 2.500 mm
4	19H3408	SCREW	5		3/8" X 1-3/4"
4	19H3693	SCREW	5		3/8" X 1-1/4"
5	12H304	LOCK WASHER	AR		3/8"
6	N10215	LOCK NUT	2		9.525 mm, (SUB FOR 14H1076, THIS APPLICATION)
7	R125066	GASKET	1		(SUB FOR R97773)
8	R113533	COVER	1		
9	12H324	WASHER	2		3/8"
10	T20166	SCREW	2		
11	19H3733	SCREW	2		3/8" X 2-1/2"
12	T27657	FITTING PLUG	1		
13	A4827R	WASHER	1		
14	T27658	SPRING	1		
15	R83169	VALVE	1		
16	R126513	GASKET	1		(SUB FOR R97454, R119269 OR R121314)
17	RE44574	SEAL	1		
18	19H1819	CAP SCREW	1	426683-____	3/8" X 2-1/8"



RGP11428

Thank you so much for reading.
Please click the “Buy Now!”
button below to download the
complete manual.



After you pay.

You can download the most
perfect and complete manual in
the world immediately.

Our support email:

ebooklibonline@outlook.com