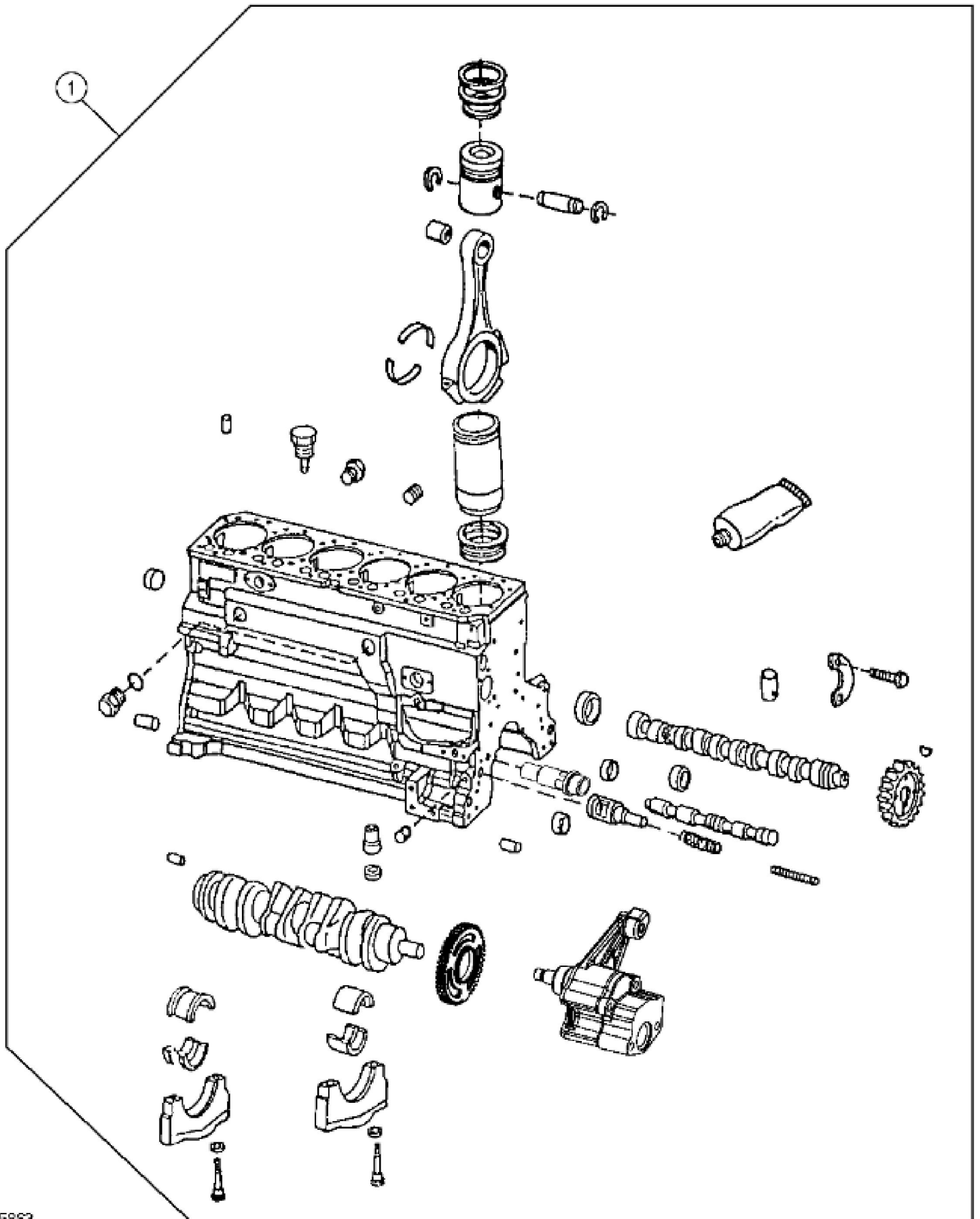


John Deere > Construction And Forestry > EXCAVATOR > 690ELC - EXCAVATOR > 690ELC Excavator > 04 ENGINE 4 6068TDW07, 6068TDW56 > 0404 CYLINDER BLOCK 6068TDW07, 6068TDW56
6068TDW07, 6068TDW56 > ST296201 - ENGINE SHORT BLOCK (- 704568)

KEY	PART NO.	PART NAME	QTY	REMARKS	
1	RE60845	SHORT BLOCK ASSEMBLY	1	(MARKED R112871 OR R124853)	
2	R83169	VALVE	1		
3	T27658	SPRING	1		
4	R112867	OIL TUBE	1		

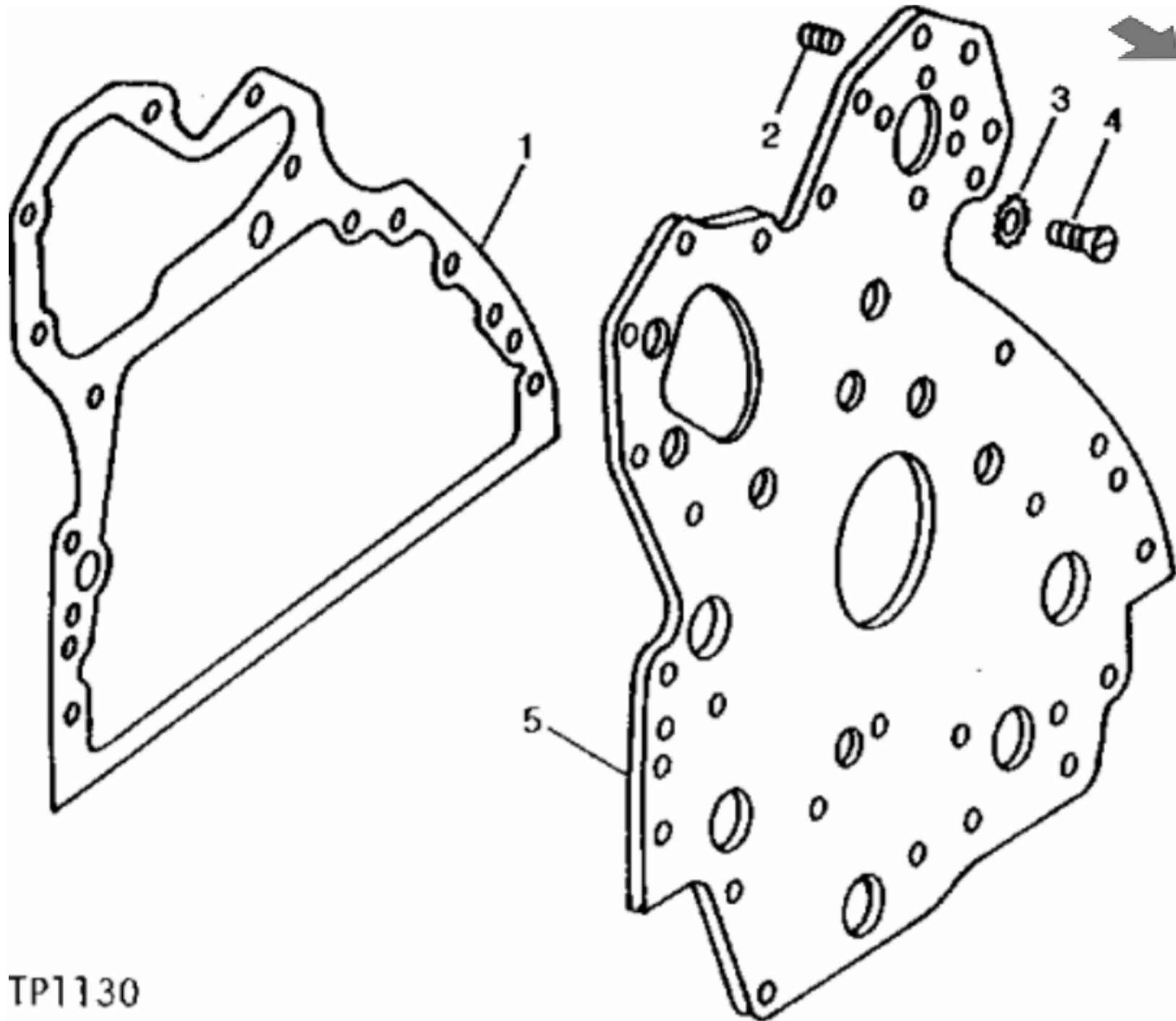


John Deere > Construction And Forestry > EXCAVATOR > 690ELC - EXCAVATOR > 690ELC Excavator > 04 ENGINE 4 6068TDW07, 6068TDW56 > 0404 CYLINDER BLOCK 6068TDW07, 6068TDW56
6068TDW07, 6068TDW56 > ST296202 - ENGINE SHORT BLOCK (704569 -)

KEY	PART NO.	PART NAME	QTY	REMARKS	
1	RE516152	SHORT BLOCK ASSEMBLY	1	(MARKED R119565) (SUB FOR RE65981) (DOES NOT INCLUDE FRONT PLATE)	
..	SE500728	COMPLETE BLOCK ASSY REMAN	1	(Use With Stanadyne Rotary Fuel Injection Pump) (6068TDW56)	

John Deere > Construction And Forestry > EXCAVATOR > 690ELC - EXCAVATOR > 690ELC Excavator > 04 ENGINE 4 6068TDW07, 6068TDW56 > 0404 CYLINDER BLOCK 6068TDW07, 6068TDW56
 6068TDW07, 6068TDW56 > ST296203 - BASIC ENGINE OVERHAUL KIT AND REMANUFACTURED ENGINES (- 704568)

KEY	PART NO.	PART NAME	QTY	REMARKS
1	ENGINE OVERHAUL KIT	1	BASIC ENGINE OVERHAUL KIT (WITH STANDARD PISTONS) (ALSO INCLUDES ENGINE OVERHAUL GASKET KIT) (ORDER ONE KIT PER ENGINE) (AT86991 NO LONGER AVAILABLE), (SUB RE61614)
1	RE61614	ENGINE OVERHAUL KIT	1	BASIC ENGINE OVERHAUL KIT (WITH STANDARD PISTONS) (ALSO INCLUDES ENGINE OVERHAUL GASKET KIT) (ORDER ONE KIT PER ENGINE), (INCLUDES (12) R54114)
1	SE500237	BASIC DIESEL ENGINE REMAN	1	(T06068TDW07)
1	RE47645	DIESEL ENGINE	1	
1	SE500238	DIESEL ENGINE REMAN	1	(T06068TDW07) (REMAN FOR RE47645)
1	SE501062	COMPLETE BLOCK ASSY REMAN	1	(T06068TDW07)



TP1130

Thank you so much for reading.
Please click the “Buy Now!”
button below to download the
complete manual.



After you pay.

You can download the most
perfect and complete manual in
the world immediately.

Our support email:

ebooklibonline@outlook.com