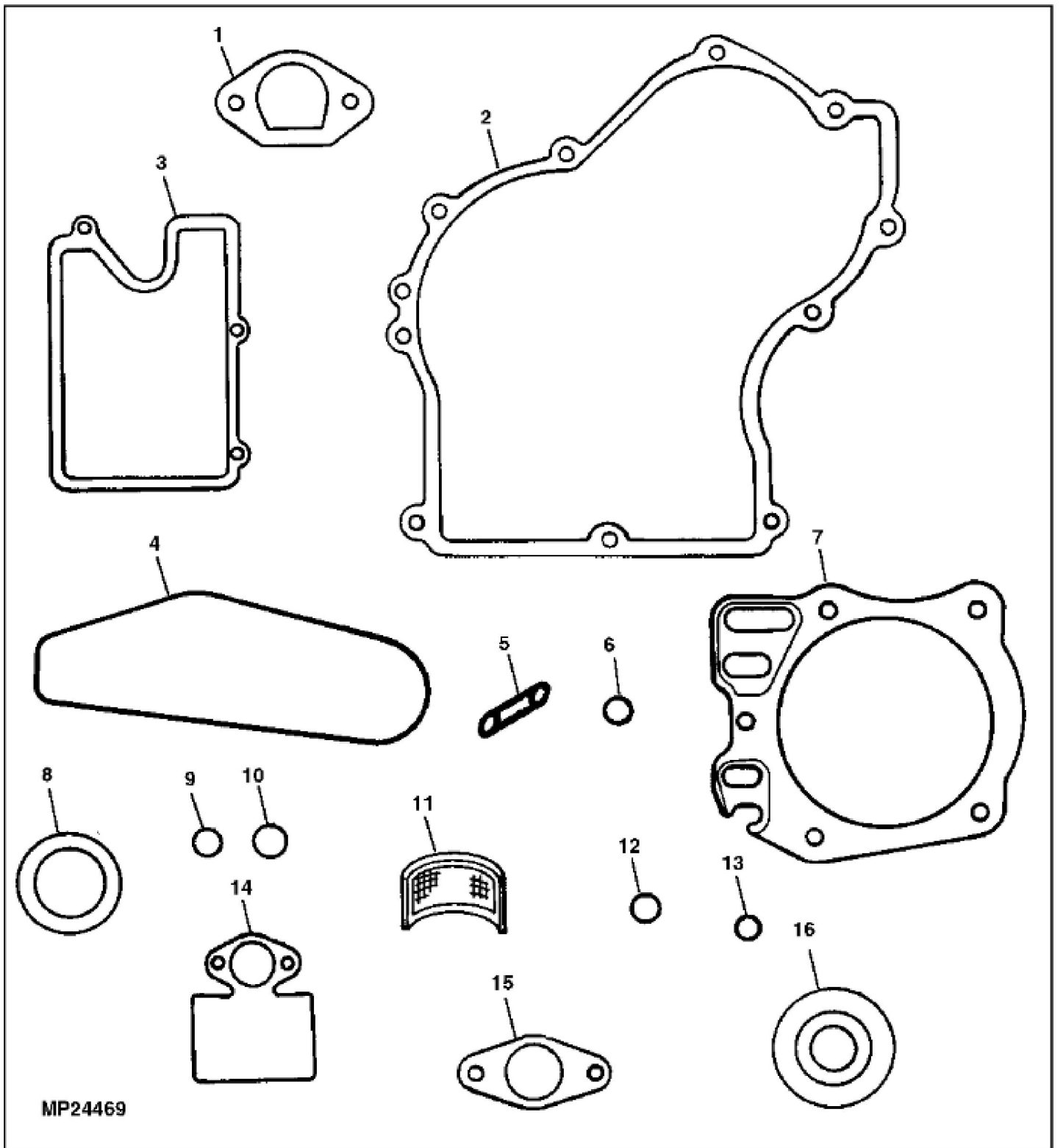


MP9041

John Deere > Turf And Utility >TRACTOR, LAWN AND GARDEN >GT275 - TRACTOR, LAWN AND GARDEN >GT242, GT262 and GT275 Lawn and Garden Tractors >20 ENGINE (GT242) >ST562319 - ENGINE AND SHORT BLOCK

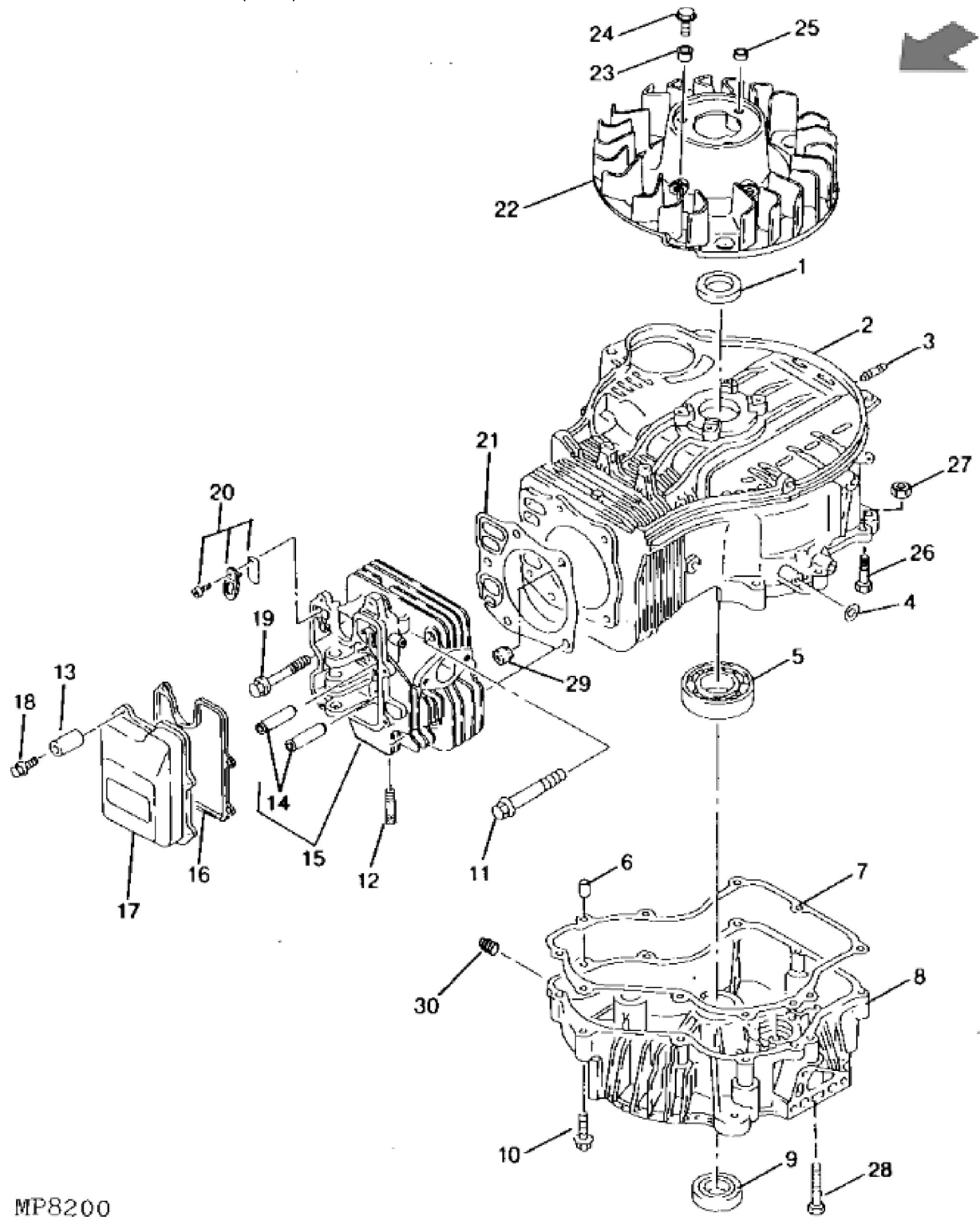
KEY	PART NO.	PART NAME	QTY	REMARKS
1	AM130363	SHORT BLOCK ASSEMBLY	1	(SUB FOR AM119560, AM121817, AM118431 OR AM128555)
..	AM115658	GASOLINE ENGINE	1	(FC420V-AS10) (ORDER AM130363)
..	AM121100	GASOLINE ENGINE	1	(FC420V-BS10) (ORDER AM130363)
..	AM121626	GASOLINE ENGINE	1	(FC420V-DS10) (ORDER AM130363)
..	AM122327	GASOLINE ENGINE	1	(FC420V-ES10) (ORDER AM130363)



MP24469

John Deere > Turf And Utility >TRACTOR, LAWN AND GARDEN >GT275 - TRACTOR, LAWN AND GARDEN >GT242, GT262 and GT275 Lawn and Garden Tractors >20 ENGINE (GT242) >ST562320 - ENGINE GASKET KIT

KEY	PART NO.	PART NAME	QTY	REMARKS
1	M97246	GASKET	1	INTAKE PIPE
2	M143234	GASKET	1	CRANKCASE COVER, (SUB FOR M97247 OR M120164)
3	M97215	GASKET	1	PAPER (USE WITH PLASTIC COVER)
3	M70018	GASKET	1	RUBBER (NOT SHOWN) (USE WITH ALUMINUM COVER)
4	M74165	RING	1	AIR FILTER
5	M134017	O-RING	2	OIL FILTER MOUNTING BRACKET
6	M70096	O-RING	1	COUNTER WEIGHT SHAFT
7	M74160	GASKET	1	
8	M88451	SEAL	1	CRANKSHAFT (FLYWHEEL END)
9	M88478	O-RING	1	OIL FILLER NECK
10	M88482	GASKET	1	OIL GAUGE
11	M97206	SCREEN	1	OIL PUMP
12	M97209	O-RING	1	OIL DRAIN EXTENSION
13	M88476	GASKET	1	OIL DRAIN PLUG
14	M97202	GASKET	1	CARBURETOR
15	M97245	GASKET	1	CARBURETOR INSULATOR
16	PT13344	SEAL	1	CRANKSHAFT (FC420V-AS10 AND FC420V-BS10) (SUB M124523)
16	M124523	SEAL	1	CRANKSHAFT (FC420V-DS10 AND FC420V-ES10)
17	AM130362	GASKET KIT	1	(SUB FOR AM109250, AM116356 OR AM124818)

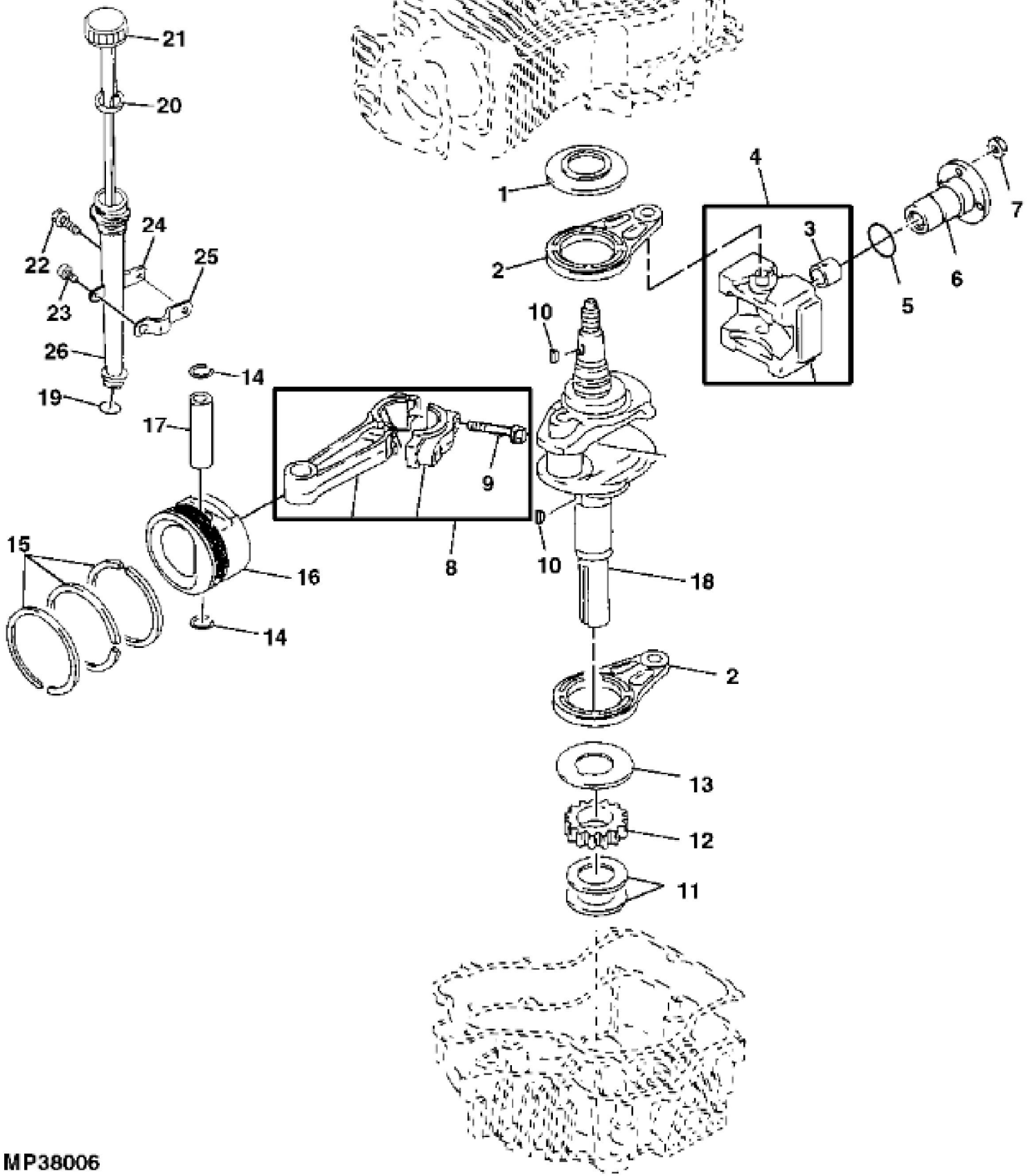
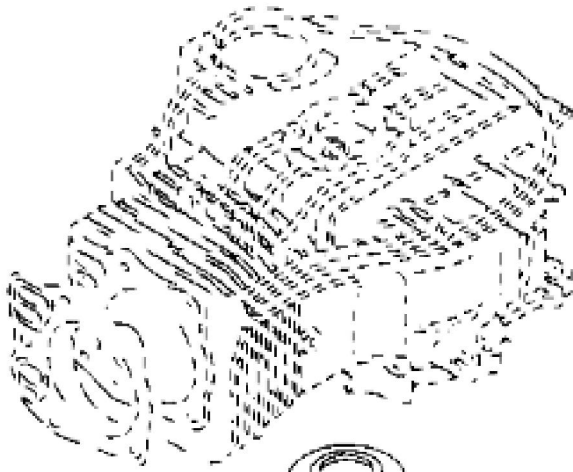


MP8200

John Deere > Turf And Utility >TRACTOR, LAWN AND GARDEN >GT275 - TRACTOR, LAWN AND GARDEN >GT242, GT262 and GT275 Lawn and Garden Tractors >20 ENGINE (GT242) >ST562321 - CYLINDER HEAD AND CRANKCASE

KEY	PART NO.	PART NAME	QTY	REMARKS
1	M88451	SEAL	1	
2	AM109210	CRANKCASE	1	NLA
3	M88447	STUD	4	
4	M88987	SEAL	1	
5	JD8518	BALL BEARING	1	(SUB FOR CH16424)
6	M74252	PIN	2	
7	M143234	GASKET	1	CRANKCASE, (SUB FOR M97247 OR M120164)
8	M74270	COVER	1	NLA; CRANKCASE
9	M124523	SEAL	1	(SUB FOR PT13344)
10	19M8318	SCREW	8	M8 X 45
11	M74161	BOLT	2	
12	MIU11876	BOLT	2	(FC420V-AS10)
12	M117613	STUD	2	(FC420V-BS10, FC420V-DS10 AND FC420V-ES10)
13	BUSHING	4	(NOT USED THIS APPLICATION)
14	M97216	GUIDE	2	
15	AM109218	CYLINDER HEAD	1	
16	M97215	GASKET	1	PAPER (USE WITH PLASTIC COVER)
16	M70018	GASKET	1	RUBBER (NOT SHOWN) (USE WITH ALUMINUM COVER)
17	M70017	COVER	1	ROCKER ARM
18	19M7775	SCREW	4	M6 X 16
19	M70012	BOLT	3	
20	AM109222	KIT	1	VALVE AND PLATE
21	M74160	GASKET	1	CYLINDER HEAD
22	M97237	FAN	1	
23	M97238	BUSHING	4	
24	19M7775	SCREW	4	M6 X 16
25	M97239	BUSHING	3	
26	19M7897	SCREW	1	M8 X 35, (ENGINE TO FRAME, LEFT REAR) (GROUND)
26	19M7867	SCREW	1	M8 X 25, (ENGINE TO FRAME, RIGHT REAR)
26	19M7866	SCREW	2	M8 X 20, (ENGINE TO FRAME, FRONT)
27	14M7298	FLANGE NUT	1	M8, (ENGINE TO FRAME) (GROUND CABLE TO LEFT REAR MOUNTING BOLT ONLY)
28	19M8318	SCREW	1	M8 X 45
29	M74163	PIN	2	

KEY	PART NO.	PART NAME	QTY	REMARKS	
30	M73482	PLUG	1		



MP38006

Thank you so much for reading.
Please click the “Buy Now!”
button below to download the
complete manual.



After you pay.

You can download the most
perfect and complete manual in
the world immediately.

Our support email:

ebooklibonline@outlook.com