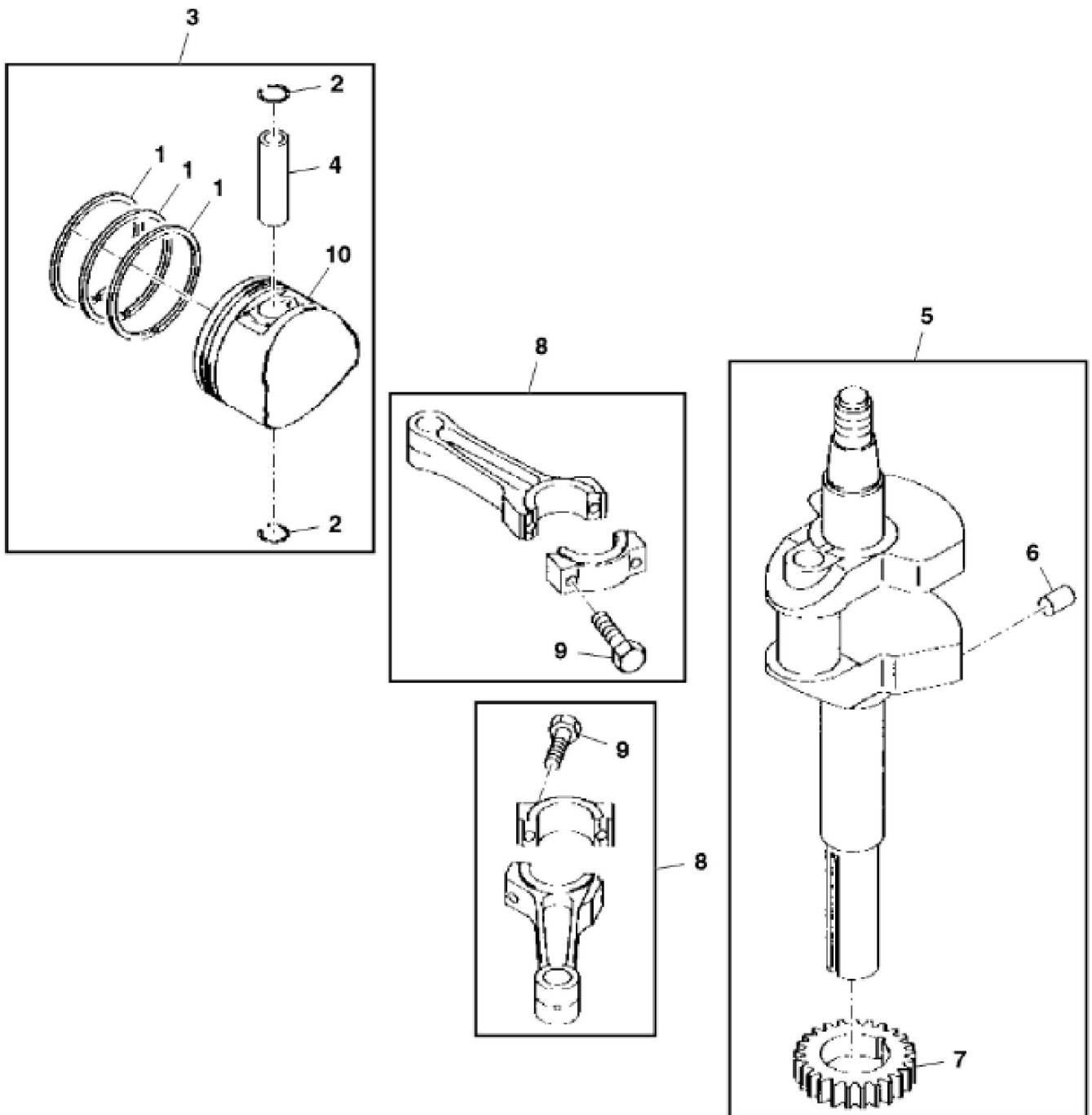
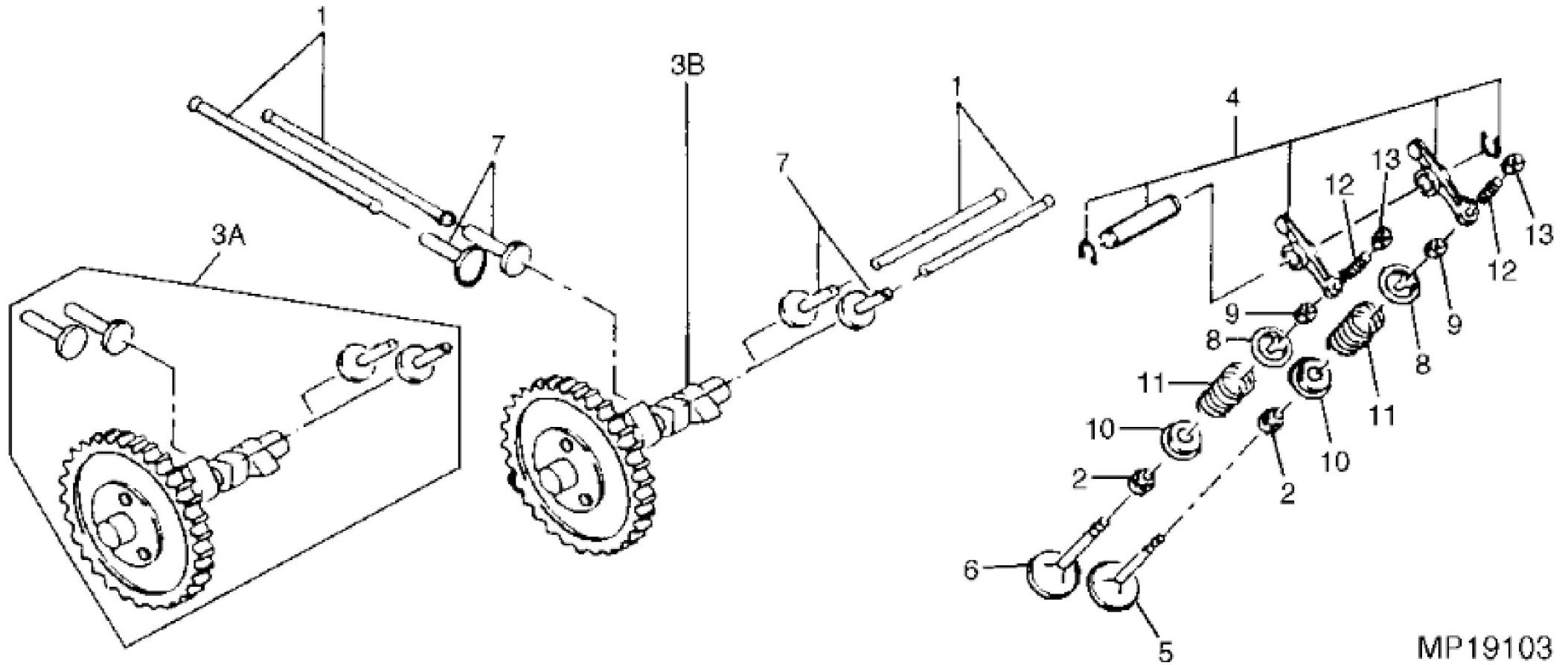


KEY	PART NO.	PART NAME	QTY	Serial No.	425	445	REMARKS
1	M118835	TUBE	1		X		
1	M118837	TUBE	1			X	
2	M77734	CLAMP	1				
3	M76125	VALVE	1				
4	M76124	PLATE	1				
5	M95848	SCREW	1				
6	M114464	GASKET	1				
7	M97314	COVER	1				
8	19M7865	SCREW	4				M8 X 16
9	MIU11358	GASKET	2				SUB FOR M76072
9	MIU11646	GASKET	1				USE WITH MIU11645
10	MIU11645	CASE	1				SUB FOR AM109415; Rocker
11	M76073	BUSHING	8				
12	19M7863	SCREW	8				M6 X 25
13	MIU11988	BOLT	10				SUB FOR M118772
14	M131853	BOLT	4				SUB FOR M123635
15	M97309	ENGINE CYLINDER HEAD GASKET	2				Head
16	M70227	PIN	6				(A)
17	M139489	CYLINDER HEAD	1	____-082370			MARKED ASO1, ASO2, BSO1, BSO2, CSO1, CSO2, DSO1, DSO2, ESO2 AND FSO2; SUB FOR M97311
17	M142271	CYLINDER HEAD	1	082371-____			MARKED ESO1, FS01 AND GSO2
18	MIU12135	BEARING	1				(A); SUB FOR M97316
19	MIA12865	CRANKCASE	1				INCLUDES PARTS MARKED (A); SUB FOR AM126299
19	AM129801	CRANKCASE	1				MARKED ESO1
20	M76154	SEAL	2				SUB FOR M76128
21	19M7864	SCREW	2				M8 X 12
22	MIU14495	GASKET	2				SUB FOR M76150
23	M139016	GASKET	1				SUB FOR M117934
24	MIU14322	COVER	1				SUB FOR M132671
25	19M8318	SCREW	6				M8 X 45
26	M139490	BOLT	2				SUB FOR M94242

KEY	PART NO.	PART NAME	QTY	Serial No.	425	445	REMARKS
27	M139488	CYLINDER HEAD	1				MARKED ASO1, ASO2, BSO1, BSO2, CSO1, CSO2, DSO1, DSO2, ESO2 AND FSO2; SUB FOR M97310
27	M142268	CYLINDER HEAD	1				MARKED ESO1, FS01 AND GSO2
28	MIU11644	CASE	1				SUB FOR M76071; Rocker
29	M88987	SEAL	1		X		Governor Shaft
29	MIU10833	SEAL	1			X	MARKED ESO1; SUB FOR M94387; Governor Shaft
30	M121998	DIPSTICK TUBE	1				SUB FOR M115402
31	M117034	O-RING	1				Dipstick Tube
32	.....	HOSE	1				CTL AR, MF TY22562; SUB FOR TY22327; Oil Drain
33	M93999	HOSE CLAMP	1				Oil Drain
34	AM115362	DRAIN VALVE	1				Oil Drain
35	51M7042	O-RING	1				13.300 X 2.200 mm
36	M76104	O-RING	1				
37	M76103	O-RING	1				
38	M127431	ADAPTER FITTING	1				(A)
39	M138625	PIN	1				(A)
40	M147324	FILLER CAP	1				USE WITH MIU11645



KEY	PART NO.	PART NAME	QTY	425	445	REMARKS
1	M97319	PISTON RING KIT	1			Standard
1	M97328	PISTON RING KIT	AR			.50 MM (.020") OS
2	M76120	SNAP RING	2			
3	MIU11458	PISTON REPLACEMENT KIT	2	X		ALSO ORDER (2) M76120 AND M97319; SUB FOR AM117846; Standard
3	AM117847	PISTON REPLACEMENT KIT	1	X		.50 MM (.020") OS, INCLUDES (2) M117036, (4) M76120 AND (2) M97328; Set Of 2
3	AM109377	PISTON REPLACEMENT KIT	2		X	ORDER M76120, M97319 AND MIU13854
3	AM109383	PISTON REPLACEMENT KIT	1		X	.50 MM (.020") OS, ORDER M76120, M97328 AND M97331; Set Of 2
4	M76119	PIN	2			
5	MIA12866	CRANKSHAFT	1			SUB FOR AM109385
6	M76122	DOWEL PIN	1			USE WITH AM109385
7	M76121	SPUR GEAR	1			USE WITH AM109385
7	MIU14323	SPUR GEAR	1			ORDER MIA12866
8	AM133731	CONNECTING ROD	2			ORDER MIA12487; SUB FOR AM105565
8	MIA12487	CONNECTING ROD	2			
8	AM133732	CONNECTING ROD	1			.50 MM (.020") US, ORDER MIA12608; SUB FOR AM105566; STD
8	MIA12608	CONNECTING ROD	1			0.50 MM (.020") US
9	M147310	BOLT	4			SUB FOR PT12040
10	MIU13854	PISTON	2		X	Standard
10	M117036	PISTON	2	X		0.50 MM (.020") OS
10	M97331	PISTON	2		X	0.50 MM (.020") US



MP19103

Thank you so much for reading.  
Please click the “Buy Now!”  
button below to download the  
complete manual.



After you pay.

You can download the most  
perfect and complete manual in  
the world immediately.

Our support email:

[ebooklibonline@outlook.com](mailto:ebooklibonline@outlook.com)