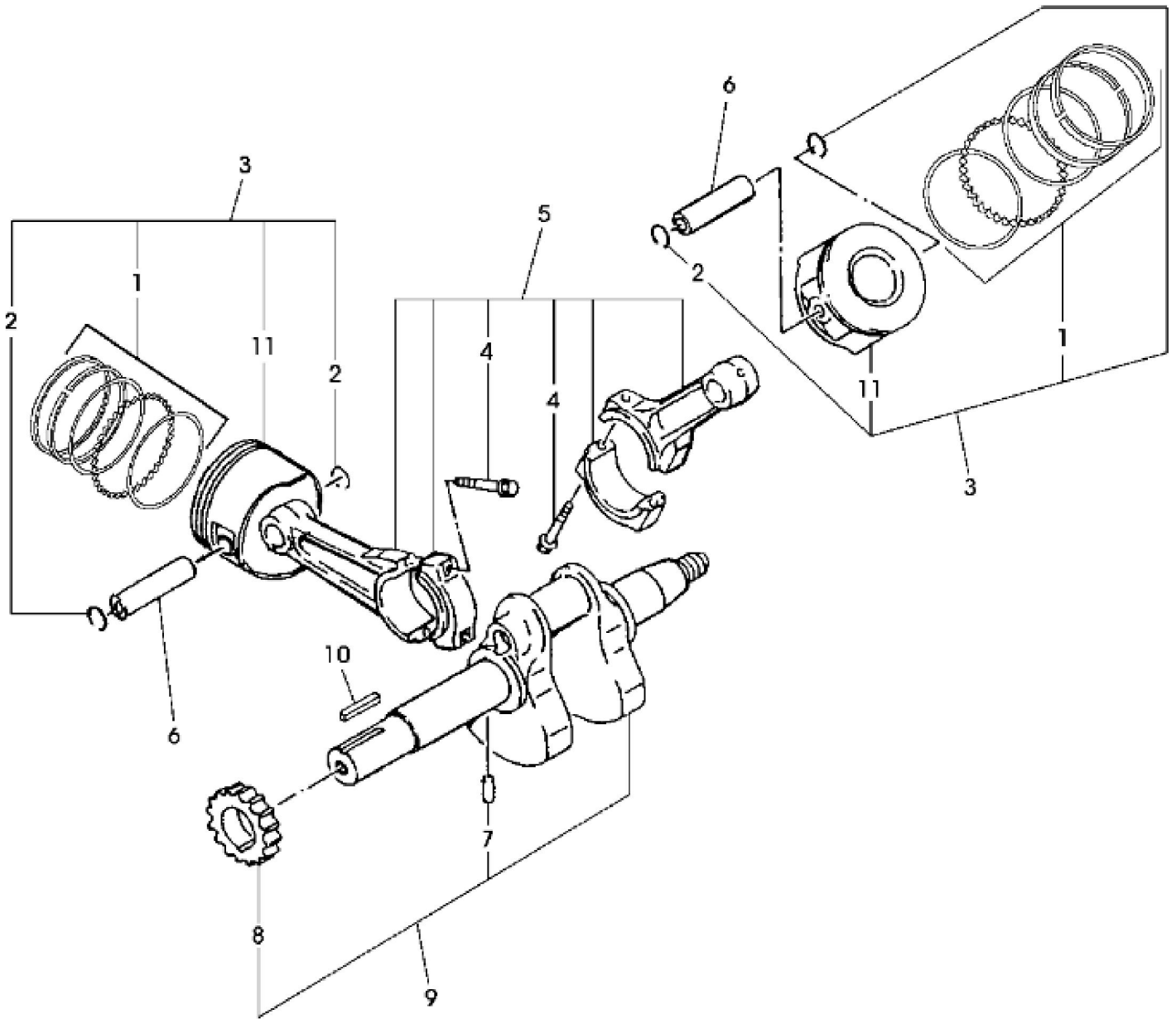


PU00346

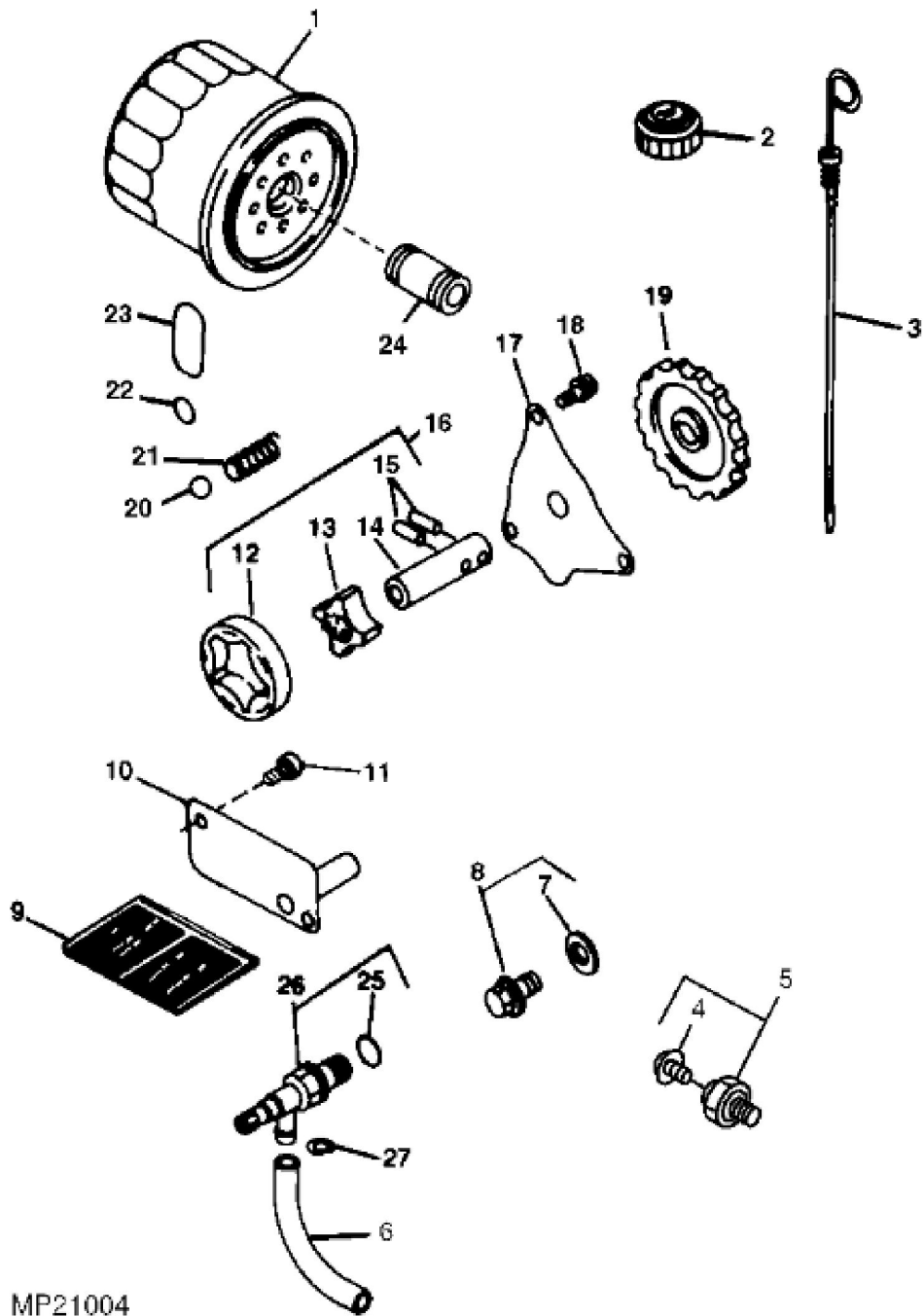
KEY	PART NO.	PART NAME	QTY	Serial No.	REMARKS
1	M118835	TUBE	1		
2	M77734	CLAMP	1		
3	M76125	VALVE	1		
4	M76124	PLATE	1		
5	M95848	SCREW	1		
6	M114464	GASKET	1		
7	M97314	COVER	1		
8	19M7865	SCREW	4		M8 X 16
9	MIU11358	GASKET	2		SUB FOR M76072
10	M97313	CASE	1		Rocker
11	M76073	BUSHING	8		
12	19M7863	SCREW	8		M6 X 25
13	MIU11988	BOLT	10		SUB FOR M118772
14	M131853	BOLT	4		6 X 18 MM
15	M97309	ENGINE CYLINDER HEAD GASKET	2		
16	M70227	PIN	6		
17	M139489	CYLINDER HEAD	1		(USE WITH AM128217)
17	M142271	CYLINDER HEAD	1		(USE WITH AM131334)
18	MIU12135	BEARING	1		SUB FOR M97316
19	M138625	PIN	1		
20	M76154	SEAL	2		
21	19M7864	SCREW	2		M8 X 12
22	MIU14495	GASKET	2		SUB FOR M76150
23	M139016	GASKET	1		SUB FOR M117934
24	MIU14322	COVER	1		SUB FOR M132671
25	19M8318	SCREW	6		M8 X 45
26	M94242	BOLT	2		
27	M139488	CYLINDER HEAD	1		(USE WITH AM128217) (SUB FOR M97310)
27	M142268	CYLINDER HEAD	1		(USE WITH AM131334)
28	M76071	CASE	1		ROCKER
29	M127431	ADAPTER FITTING	1		
30	M88987	SEAL	1		
31	M115402	DIPSTICK TUBE	1	____-036244	
31	M121998	DIPSTICK TUBE	1	036245-____	

KEY	PART NO.	PART NAME	QTY	Serial No.	REMARKS
32	M117034	O-RING	1		(DIPSTICK TUBE)
33	MIA12865	CRANKCASE	1		SUB FOR AM126299
34	51M7042	O-RING	1		13.300 X 2.200 mm
35	AM115362	DRAIN VALVE	1		
..	AM126753	SHORT BLOCK ASSEMBLY	1		(FD620D-AS06, BS06, CS06) (SUB FOR AM117918 OR AM118226) (ORDER AM128211)
..	AM128211	SHORT BLOCK ASSEMBLY	1		(FD620D-DS06, ES06) (SUB FOR AM131344, AM117781, AM122323, AM126454, AM128217)
..	AM117781	GASOLINE ENGINE	1		(FD620D-AS06) (CAMSHAFT W / PLASTIC GEAR) (SUB AM128211)
..	AM122323	GASOLINE ENGINE	1		(FD620D-BS06) (CAMSHAFT W / PLASTIC GEAR) (SUB AM128211)
..	AM126544	GASOLINE ENGINE	1		(FD620D-CS06) (CAMSHAFT W / STEEL GEAR) (SUB AM128211)
..	AM128217	SHORT ENGINE	1		(FD620D-DS06) (CAMSHAFT W / STEEL GEAR) (SUB AM128211)
..	AM131334	GASOLINE ENGINE	1		(FD620D-ES06) (CAMSHAFT W / STEEL GEAR) (SUB AM128211)



PU00480

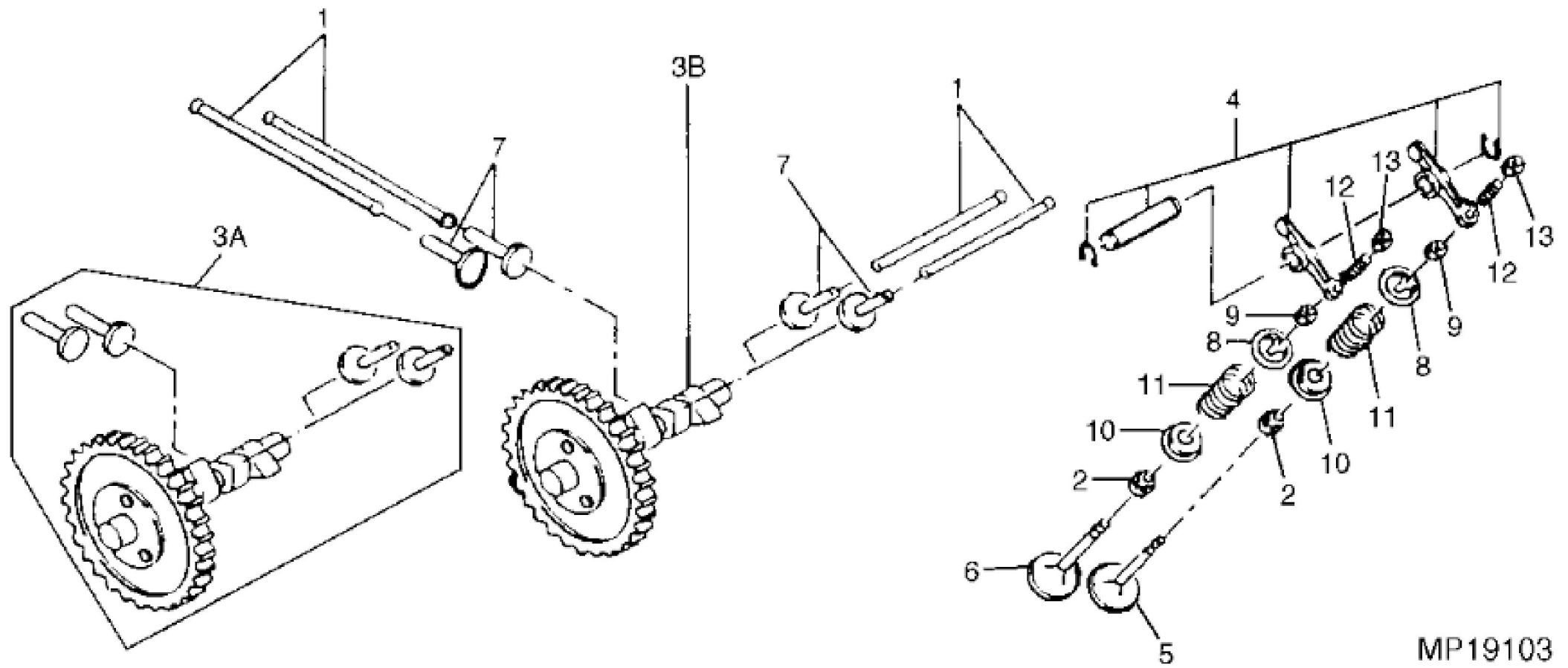
KEY	PART NO.	PART NAME	QTY	REMARKS
1	M97319	PISTON RING KIT	2	Standard
1	M97328	PISTON RING KIT	AR	0.50 MM OS
2	M76120	SNAP RING	4	
3	AM117846	PISTON RING KIT	2	SUB (2) MIU11458, (4) M76120 AND (2) M97319
3	AM117847	PISTON RING KIT	AR	0.50 MM OS, INCLUDES (2) M117036, (4) M76120 AND (2) M97328
4	M147310	BOLT	4	SUB FOR PT12040
5	AM105565	CONNECTING ROD	2	SUB FOR AM133731
5	AM133732	CONNECTING ROD	AR	0.50 MM OS, SUB FOR AM106252
6	M76119	PIN	2	
7	M76122	DOWEL PIN	1	USE WITH AM109385
8	M76121	SPUR GEAR	1	USE WITH AM109385
8	MIU14323	SPUR GEAR	1	ORDER MIA12866
9	MIA12866	CRANKSHAFT	1	SUB FOR AM109385
10	H64374	SHAFT KEY	1	Cut To Length
11	MIU11458	PISTON	2	USE WITH AM117846
11	M117036	PISTON	2	USE WITH AM117847



MP21004

John Deere > Turf And Utility >MOWER, PROFESSIONAL UTILITY >2653 - MOWER, PROFESSIONAL UTILITY >2653 Professional Utility Mower >20 ENGINE >ST554683 - ENGINE OIL PUMP, FILTER AND DIPSTICK

KEY	PART NO.	PART NAME	QTY	REMARKS
1	AM107423	OIL FILTER	1	
2	M114465	CAP	1	(SUB M147324 AND M147334)
3	M121997	DIPSTICK	1	(SUB FOR M97336 OR M121179)
4	21M7295	SCREW	1	M4 X 6
5	M94629	SWITCH	1	
6	BULK HOSE	1	(PURCHASED LOCALLY)
7	M113678	GASKET	1	PLUG
7	M76158	GASKET	1	
7	M88482	GASKET	1	
7	PT13876	GASKET	1	
7	PT14207	DRAIN PLUG	1	
8	AM109035	ADAPTER KIT	1	(NLA) PLUG
9	M96765	SCREEN	1	
10	M97334	PLATE	1	
11	21M7265	SCREW	2	M5 X 12
12	M76141	ROTOR	1	Outer
13	M76140	ROTOR	1	Inner
14	MIU10853	SHAFT	1	
15	M127265	DOWEL PIN	2	
16	AM109371	ROTOR KIT	1	NLA; Rotor Pump
17	M76101	COVER	1	
18	19M7775	SCREW	3	M6 X 16
19	M76098	GEAR	1	
20	M76105	BALL	1	
21	M76102	SPRING	1	
22	M76104	O-RING	1	
23	M76103	O-RING	1	
24	M127431	ADAPTER FITTING	1	
25	51M7042	O-RING	1	13.300 X 2.200 mm
26	AM115362	DRAIN VALVE	1	
27	M93999	HOSE CLAMP	1	



MP19103

Thank you so much for reading.
Please click the “Buy Now!”
button below to download the
complete manual.



After you pay.

You can download the most
perfect and complete manual in
the world immediately.

Our support email:

ebooklibonline@outlook.com