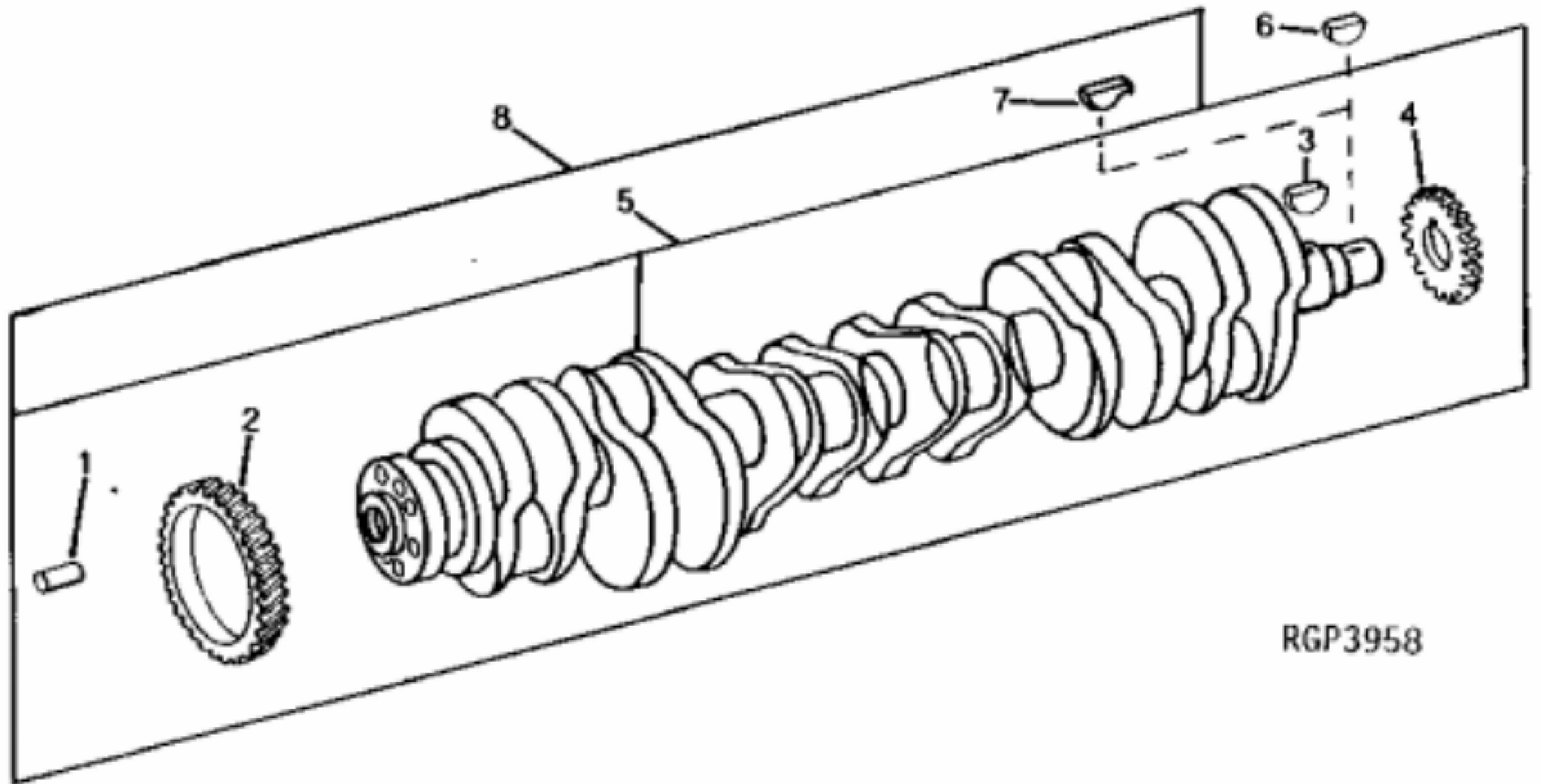


TP43404

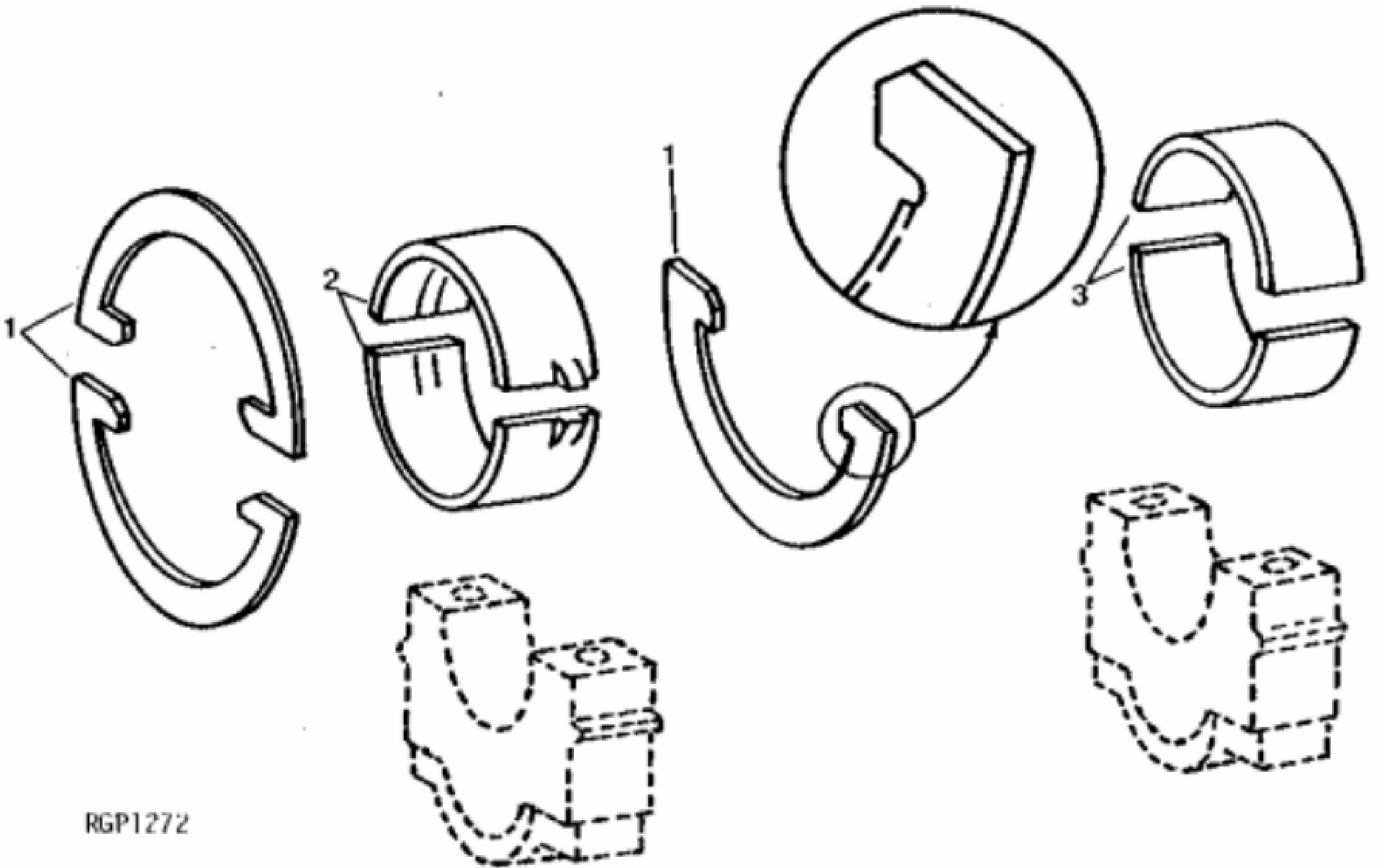
KEY	PART NO.	PART NAME	QTY	REMARKS
1	ENGINE	1	
3	4256314	ISOLATOR	4	(SUB FOR AT200995)
4	4189018	RETAINER	4	(SUB FOR TH109410)
5	8054194	BRACKET	2	(SUB FOR AT201138)
7	J911816	BOLT	2	(SUB FOR TH110084)
8	J951018	NUT	2	(SUB FOR TH100890)
9	24M7353	WASHER	4	20 X 34 X 3 mm
10	19H2599	CAP SCREW	8	5/8" X 2-1/2", (SUB FOR AT201045)
12	R73290	WASHER	8	16.280 X 27 X 2.670 mm (41/64" X 1-1/16" X 0.105")
14	4197145	ISOLATOR	4	(SUB FOR TH109409)
15	4197147	STOP	4	(SUB FOR TH109411)
18	19M7968	CAP SCREW	2	M20 X 130
19	14M7277	NUT	2	M20
20	N231749	WASHER	4	20.620 X 38.100 X 6.350 mm (13/16" X 1-1/2" X 1/4")
21	19H2994	CAP SCREW	8	5/8" X 1-1/2", (SUB FOR AT201044)
22	R73290	WASHER	8	16.280 X 27 X 2.670 mm (41/64" X 1-1/16" X 0.105")
24	8056547	BRACKET	2	(SUB FOR AT201156)
41	19H2545	CAP SCREW	3	3/8" X 1-3/8"
42	19H3483	CAP SCREW	9	3/8" X 1-1/8"
43	12H304	LOCK WASHER	12	3/8"



RGP3958

John Deere > Construction And Forestry > EXCAVATOR > 892ELC - EXCAVATOR > 892ELC Excavator > 04 ENGINE 6076AT030 > 0401 CRANKSHAFT AND MAIN BEARING 6076AT030 6076AT030 > ST297082 - CRANKSHAFT (6076)

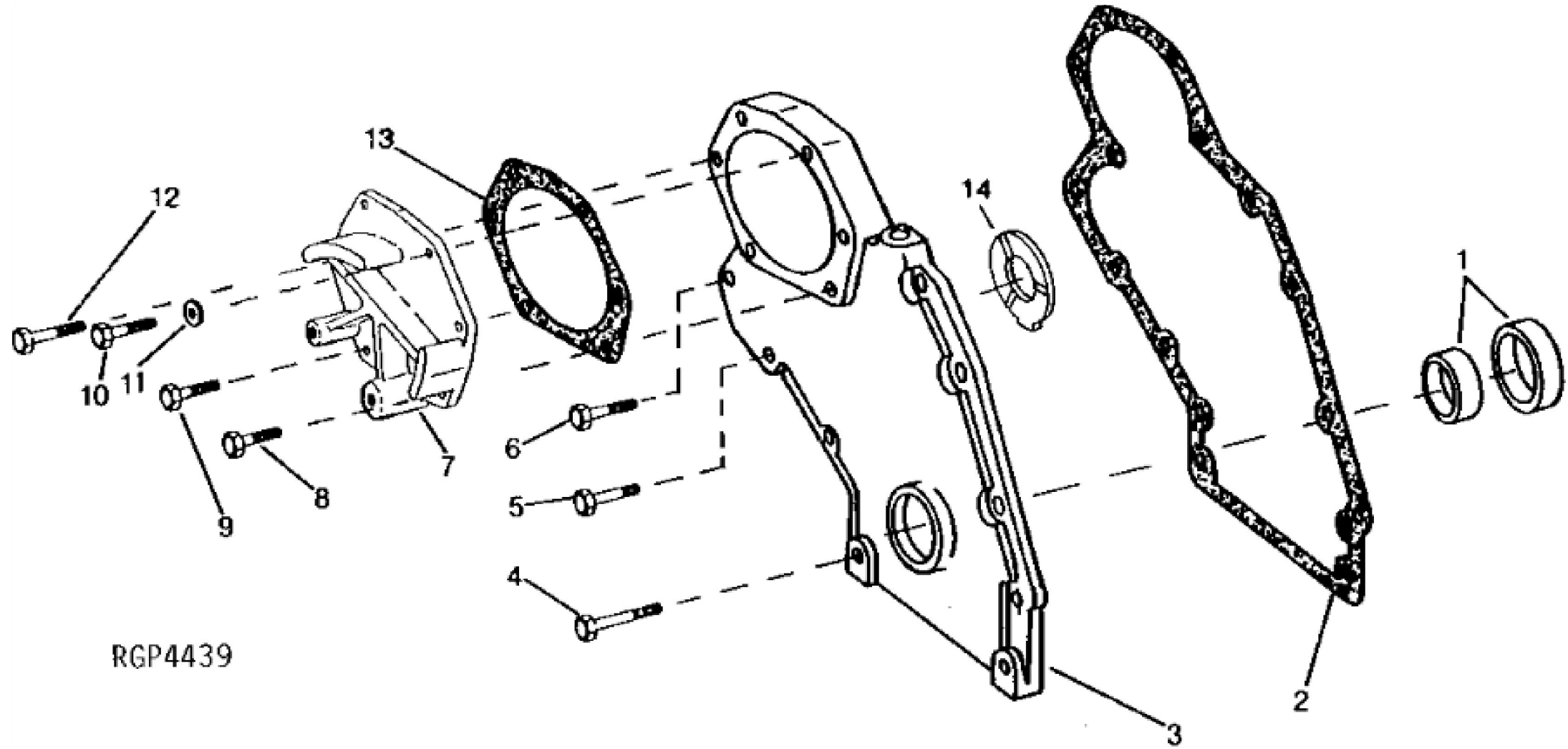
KEY	PART NO.	PART NAME	QTY	REMARKS
1	R41934	DOWEL PIN	1	
2	R63326	GEAR	1	(SUB RG23551, APPL)
3	R120752	KEY	1	3.175 X 15.870 mm (1/8" X 5/8")
4	R104587	GEAR	1	
5	RE53199	CRANKSHAFT	1	(MARKED RE53199) (SUB RG23551)
6	SHAFT KEY	NA	
7	R116311	KEY	1	
8	RG23551	CRANKSHAFT	1	(MARKED RE53199)



RGP1272

John Deere > Construction And Forestry > EXCAVATOR > 892ELC - EXCAVATOR > 892ELC Excavator > 04 ENGINE 6076AT030 > 0401 CRANKSHAFT AND MAIN BEARING 6076AT030 6076AT030 > ST297083 - MAIN THRUST BEARINGS (6076)

KEY	PART NO.	PART NAME	QTY	REMARKS
1	AR77747	THRUST WASHER	1	(PKG 3), (STD)R62986
1	AR77753	THRUST WASHER	1	0.18mm (.007"), (PKG 2), (OS FLANGE) R63010 AND R62986
2	AR77748	THRUST BEARING	1	(STD) (PKG R62987 AND R62988)
2	AR77749	THRUST BEARING	1	0.05mm (.002"), (US) (PKG R63002 AND R63006)
2	AR77750	THRUST BEARING	1	0.25mm (.010"), (US) (PKG R63003 AND R63007)
2	AR77751	THRUST BEARING	1	0.51mm (.020"), (US) (PKG R63004 AND R63008)
2	AR77752	THRUST BEARING	1	0.76mm (.030"), (US) (PKG R63005 AND R63009)
3	AR74814	BEARING	AR	(STD) (PKG R61289 AND R57584)
3	AR74815	BEARING	AR	0.05mm (.002"), (US) (PKG R61608 AND R60472)
3	AR74816	BEARING	AR	0.25 MM (.010"), (US) (PKG R61609 AND R60473)
3	AR74817	BEARING	AR	0.51mm (.020"), (US) (PKG R61610 AND R60474)
3	AR74818	BEARING	AR	0.76mm (.030"), (US) (PKG R61611 AND R60475)



RGP4439

Thank you so much for reading.
Please click the “Buy Now!”
button below to download the
complete manual.



After you pay.

You can download the most
perfect and complete manual in
the world immediately.

Our support email:

ebooklibonline@outlook.com