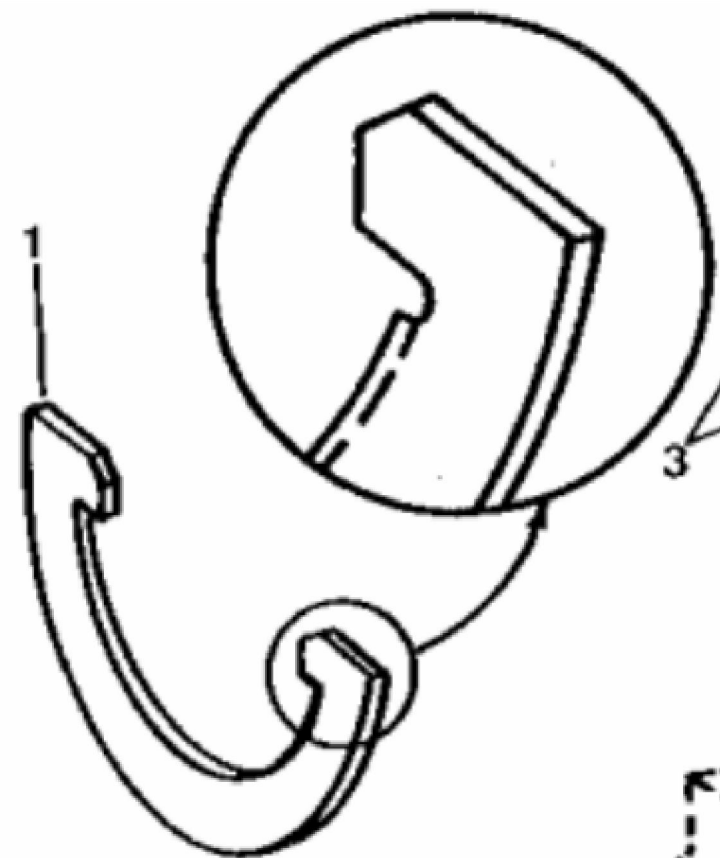
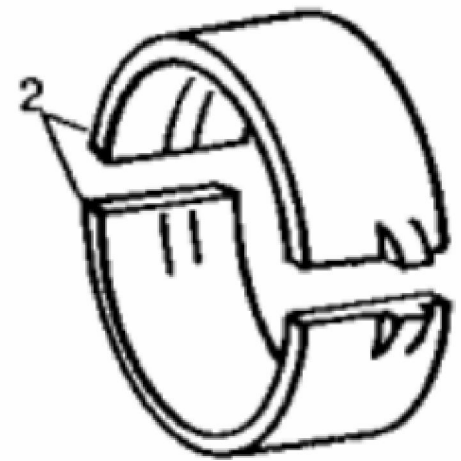
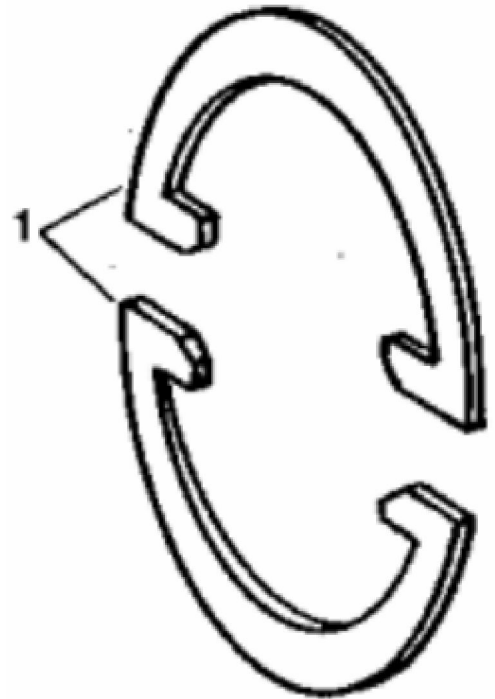


RGP3595

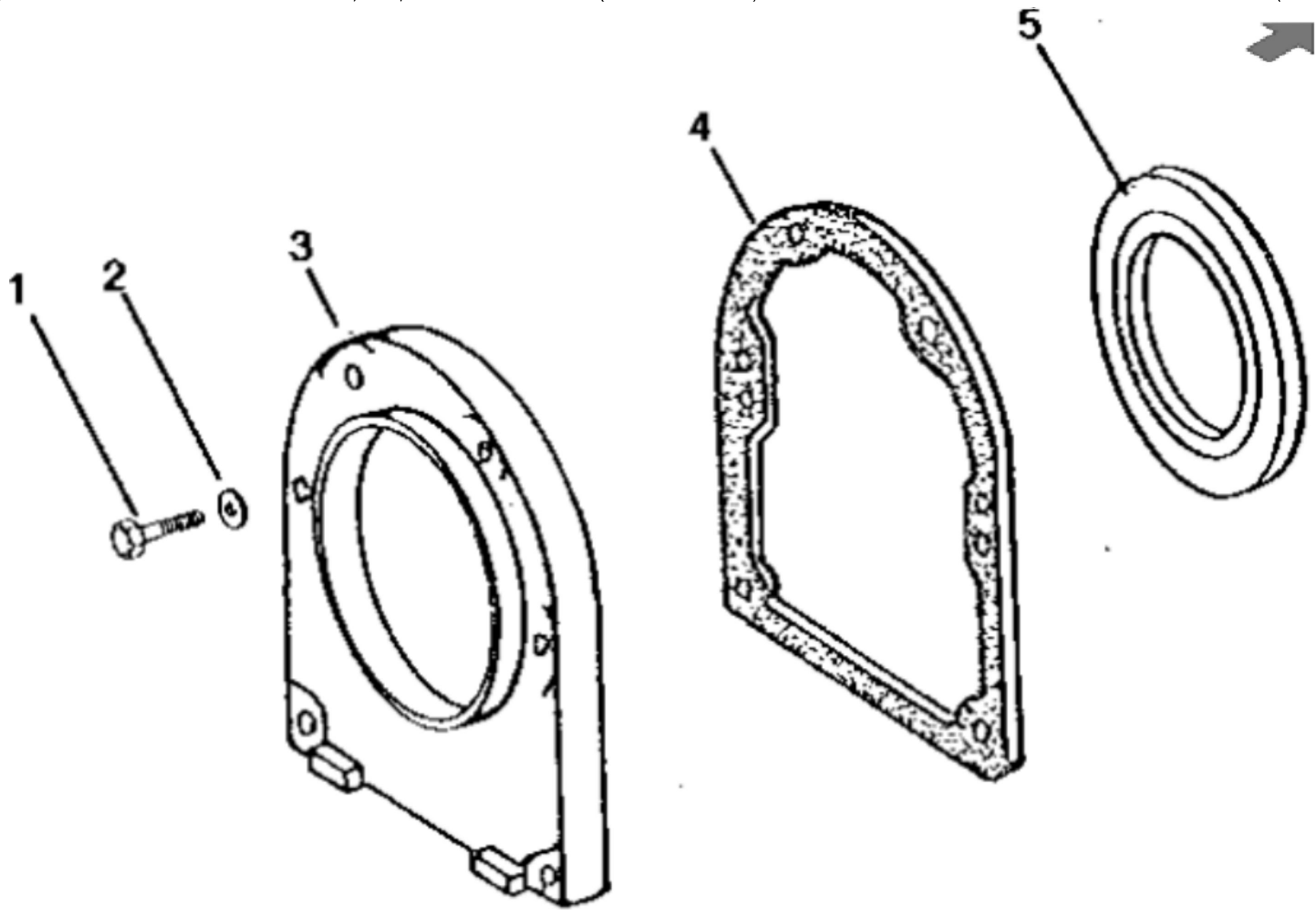


KEY	PART NO.	PART NAME	QTY	8100	8200	8300	REMARKS
1	E1343FN	SNAP RING	12	X	X	X	
2	R57771	PISTON PIN	6	X	X	X	
3	R74008	BUSHING	6	X	X	X	
4	R66452	CAP SCREW	12	X	X	X	
5	R53292	SLEEVE	12	X	X	X	
6	AR93341	CONNECTING ROD	6	X	X	X	(MARKED R71074) (SUB SE500498)
6	SE500498	CONNECTING ROD REMAN	6	X	X	X	(REMAN FOR AR93341)
7	AR73277	BEARING	AR	X	X	X	STD, (MARKED R57583)
7	AR73278	BEARING	AR	X	X	X	0.05MM (.002") US, (MARKED R60485)
7	AR73279	BEARING	AR	X	X	X	0.25MM (.010") US, (MARKED R60486)
7	AR73280	BEARING	AR	X	X	X	0.51MM (.020") US, (MARKED R60487)
7	AR73281	BEARING	AR	X	X	X	0.76MM (.030") US, (MARKED R60488)
8	RE57517	PISTON RING KIT	6	X	X	X	(USE WITH RE57512)
9	AR98850	O-RING KIT	6	X	X	X	(INCLUDES R54326)
10	RE60294	PISTON-LINER KIT	6	X	X	X	(MARKED RE57512)
11	R93948	SHIM	2	X	X	X	0.05MM (.002"), (MAX)



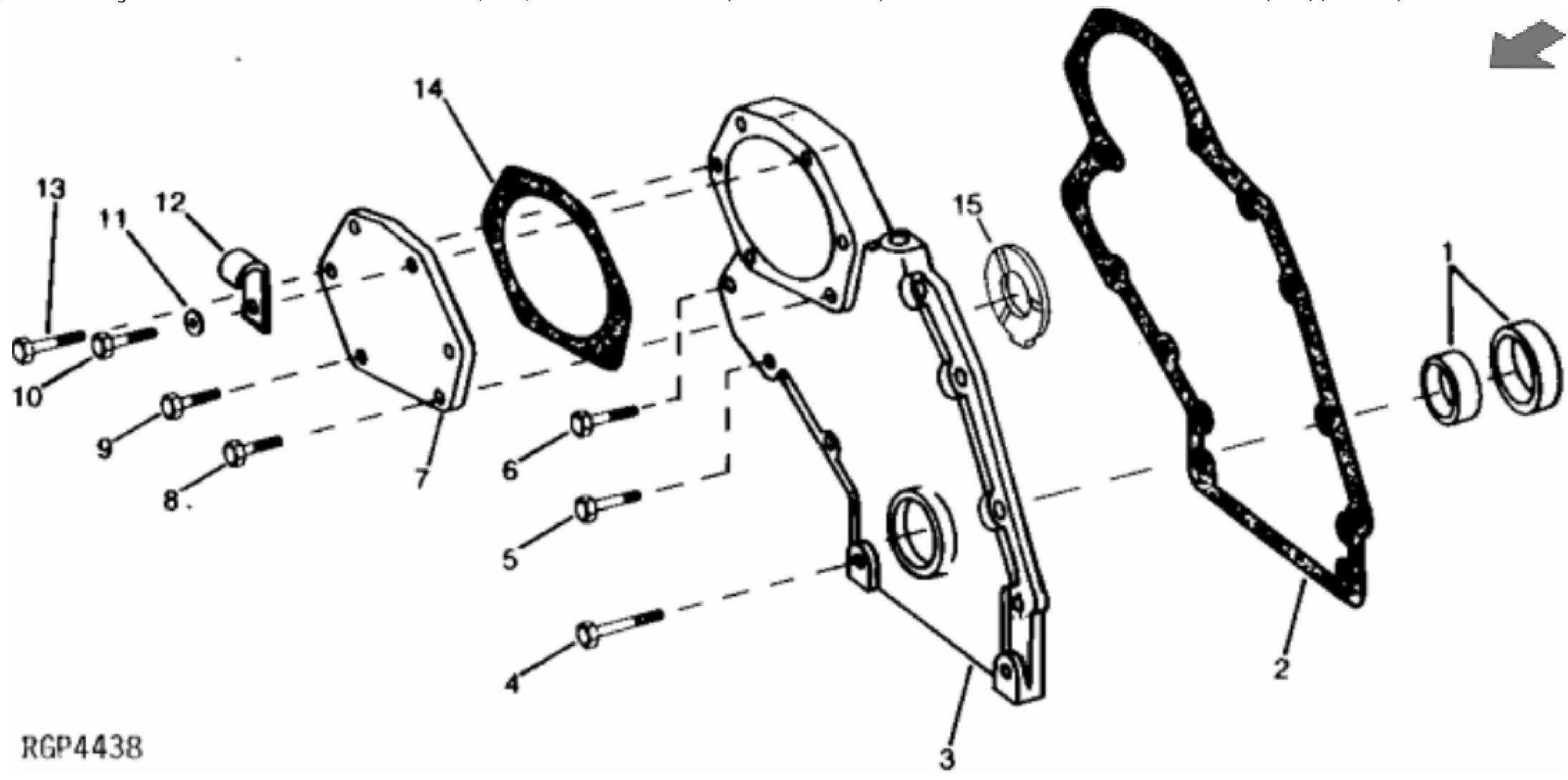
RGP1272

KEY	PART NO.	PART NAME	QTY	8100	8200	8300	REMARKS
1	AR77747	THRUST WASHER	1	X	X	X	STD, (MARKED R62986)
1	AR77753	THRUST WASHER	1	X	X	X	0.18 MM (.007"), OS FLANGE, (MARKED R63010 AND R62986)
2	AR77748	THRUST BEARING	1	X	X	X	(PKG R62987 AND R62988), STD
2	AR77749	THRUST BEARING	1	X	X	X	0.05 MM (.002") US, (PKG R63002 AND R63006)
2	AR77750	THRUST BEARING	1	X	X	X	0.25 MM (.010") US, (PKG R63003 AND R63007)
2	AR77751	THRUST BEARING	1	X	X	X	0.51 MM (.020") US, (PKG R63004 AND R63008)
2	AR77752	THRUST BEARING	1	X	X	X	0.76 MM (.030") US, (PKG R63005 AND R63009)
3	AR74814	BEARING	AR	X	X	X	(PKG R61289 AND R57584), STD
3	AR74815	BEARING	AR	X	X	X	0.05 MM (.002") US, (PKG R61608 AND R60472)
3	AR74816	BEARING	AR	X	X	X	0.25 MM (.010") US, (PKG R61609 AND R60473)
3	AR74817	BEARING	AR	X	X	X	0.51 MM (.020") US, (PKG R61610 AND R60474)
3	AR74818	BEARING	AR	X	X	X	0.76 MM (.030") US, (PKG R61611 AND R60475)



RGP2382

KEY	PART NO.	PART NAME	QTY	8100	8200	8300	REMARKS	
1	R47074	CAP SCREW	6	X	X	X	7.925 X 28.448 mm (5/16" X 1.120")	
2	T27860	WASHER	6	X	X	X	8.740 X 17.500 X 1.664 mm (11/32" X 0.689" X 0.066")	
3	R125027	HOUSING	1	X	X	X		
4	R520504	GASKET	1	X	X	X		
5	RE22764	SEAL	1	X	X	X		



RGP4438

Thank you so much for reading.
Please click the “Buy Now!”
button below to download the
complete manual.



After you pay.

You can download the most
perfect and complete manual in
the world immediately.

Our support email:

ebooklibonline@outlook.com