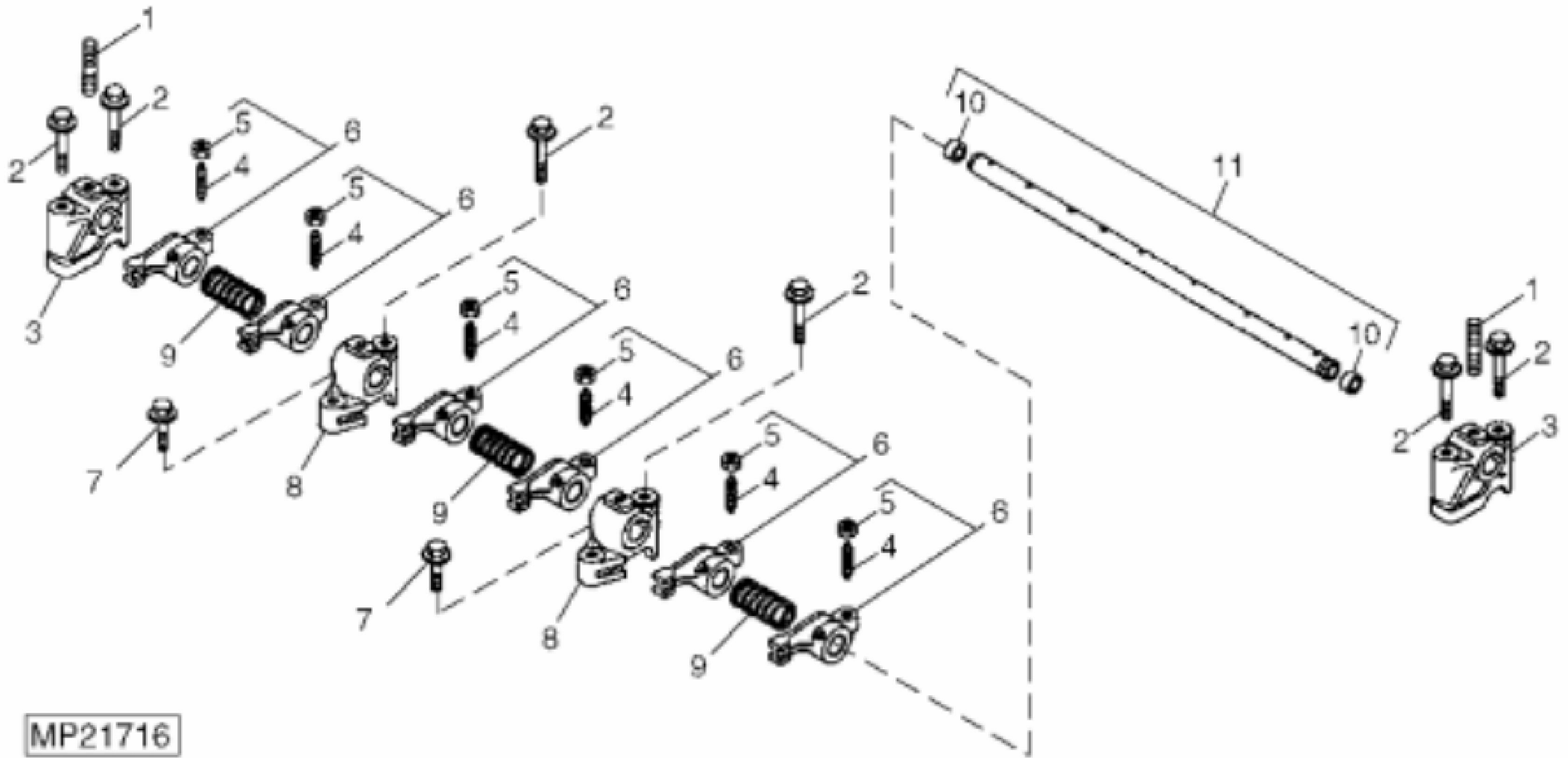


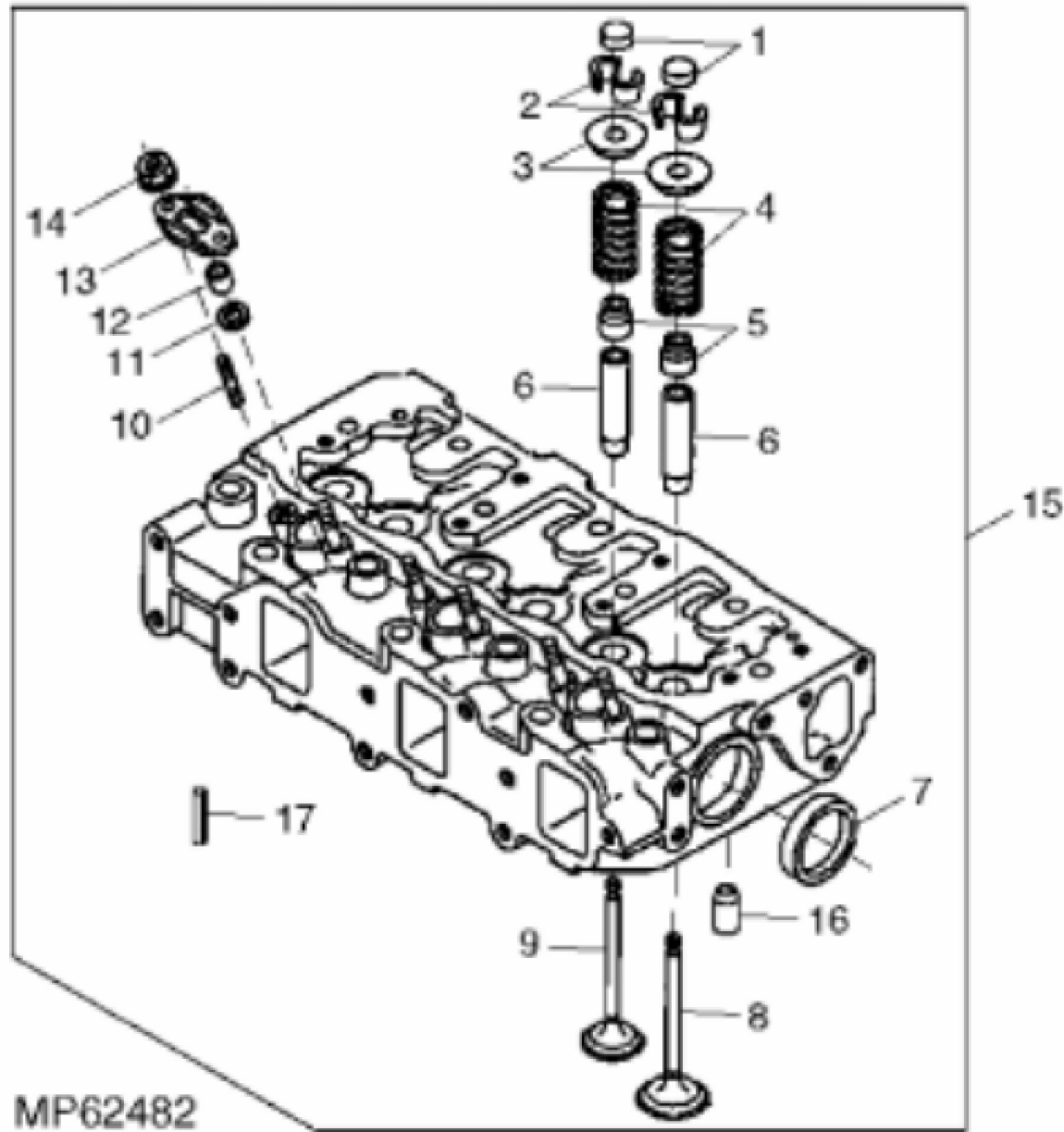
John Deere > Turf And Utility > MOWER, TURF SYSTEM > 3215 - MOWER, TURF SYSTEM > 3215 and 3235 Lightweight Fairway Turf System Mowers (Worldwide Edition) > 21 ENGINES > ST594888 - CYLINDER HEAD COVER AND GASKETS

KEY	PART NO.	PART NAME	QTY	REMARKS
1	CH10348	NUT	3	
2	CH10568	PACKING	3	
3	M801036	O-RING	1	3TNE78A/82A ENGINES
3	M801741	PACKING	1	3TNE84A ENGINES
4	M801032	DEFLECTOR	1	
5	M805710	CAP	1	
6	M805711	PACKING	1	
7	19M7865	SCREW	2	M8 X 16
8	M801031	CAP	1	BREATHER
9	M801033	PLATE	1	
10	M801034	O-RING	1	
11	AM875312	VALVE COVER	1	3TNE78A/82A ENGINES
11	AT110858	VALVE COVER	1	(NLA) 3TNE84A ENGINES
12	M804268	HOSE	AR	3TNE78A/82A ENGINES
12	ET14229	PIPE	1	3TNE84A ENGINES
13	R72853	CLAMP	1	3TNE78A ENGINES
13	ET14230	HOSE CLAMP	1	3TNE82A/84A ENGINES
14	CH10061	RIVET	4	



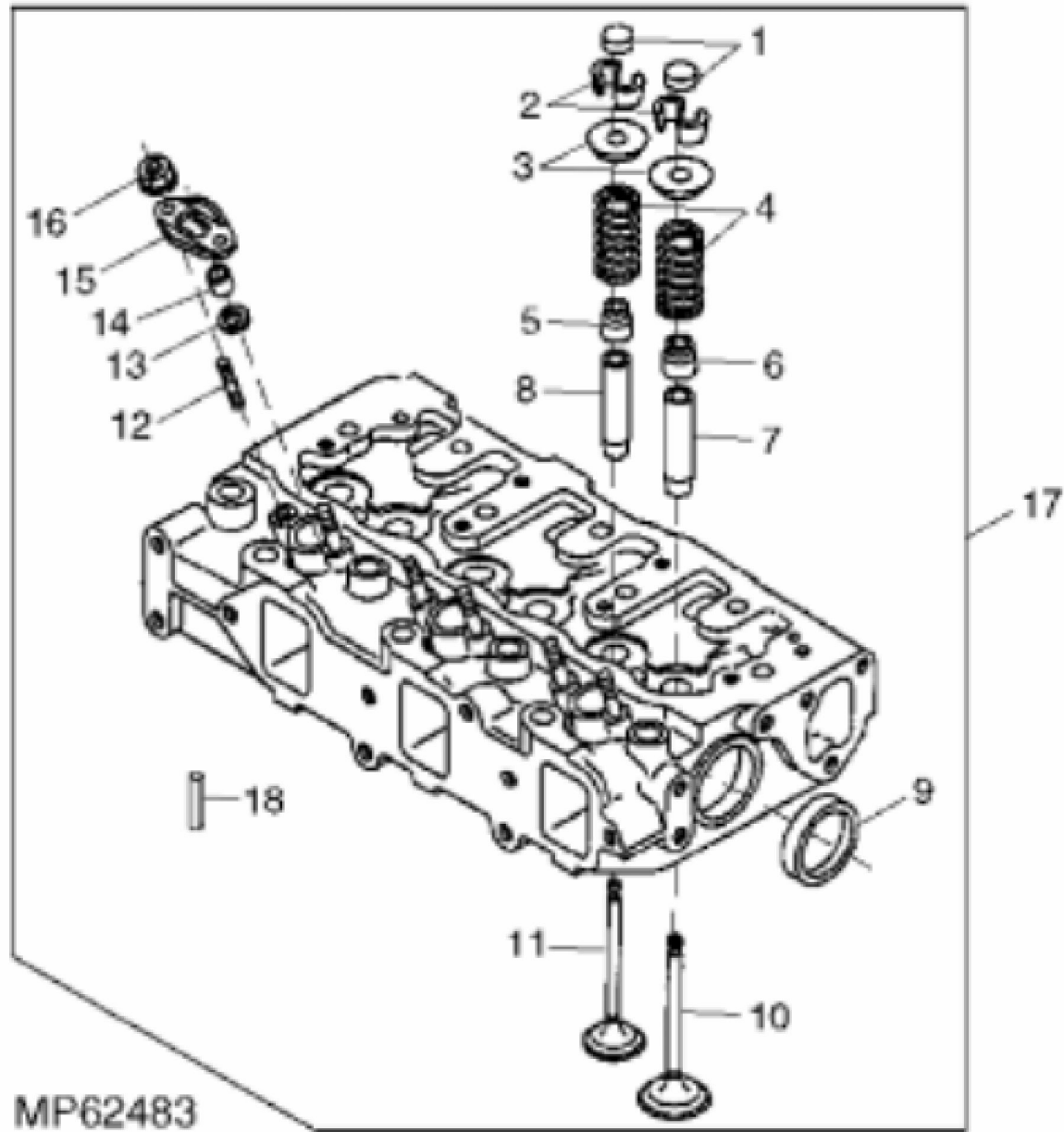
ROCKER ARMS

KEY	PART NO.	PART NAME	QTY	REMARKS	
1	M801024	STUD	3		
2	19M7800	SCREW	6	M8 X 50	
3	M801022	SUPPORT	2		
4	M801027	SCREW	6		
5	M801028	NUT	6		
6	AM875311	ARM	6	3TNE78A/82A ENGINES	
6	AM875383	ARM	6	3TNE84A ENGINES	
7	19M7867	SCREW	2	M8 X 25	
8	M801023	SUPPORT	2		
9	M801025	SPRING	3		
10	M800002	PLUG	2		
11	AM875310	SHAFT	1	3TNE78A/82A ENGINES	
11	AM875534	SHAFT	1	3TNE84A ENGINES	



John Deere > Turf And Utility > MOWER, TURF SYSTEM > 3215 - MOWER, TURF SYSTEM > 3215 and 3235 Lightweight Fairway Turf System Mowers (Worldwide Edition) > 21 ENGINES > ST594890 - CYLINDER HEAD (3TNE78A/82A ENGINES)

KEY	PART NO.	PART NAME	QTY	REMARKS
1	CH12585	CAP	6	
2	AM100828	RETAINER KIT	6	(PKG. OF 2 SIDES), VALVE RETAINER
3	M801015	RETAINER	6	
4	M801014	SPRING	6	
5	CH10346	SEAL	6	
6	CH16041	GUIDE	6	(SUB FOR CH15418)
7	CH16751	PLUG	2	
8	M801012	INTAKE VALVE	3	
9	RG60149	EXHAUST VALVE	3	
10	M801011	BOLT	6	
11	M801017	VALVE SEAT	3	
12	M801016	SEAL	3	HEAT PROTECTOR, (SUB FOR M806732 OR M810460)
13	M801018	RETAINER	3	
14	14M7303	FLANGE NUT	6	M6
15	AM878523	CYLINDER HEAD	1	
16	M801008	PLUG	3	3TNE78A ENGINES
17	CH18079	SPRING PIN	2	



Thank you so much for reading.
Please click the “Buy Now!”
button below to download the
complete manual.



After you pay.

You can download the most
perfect and complete manual in
the world immediately.

Our support email:

ebooklibonline@outlook.com