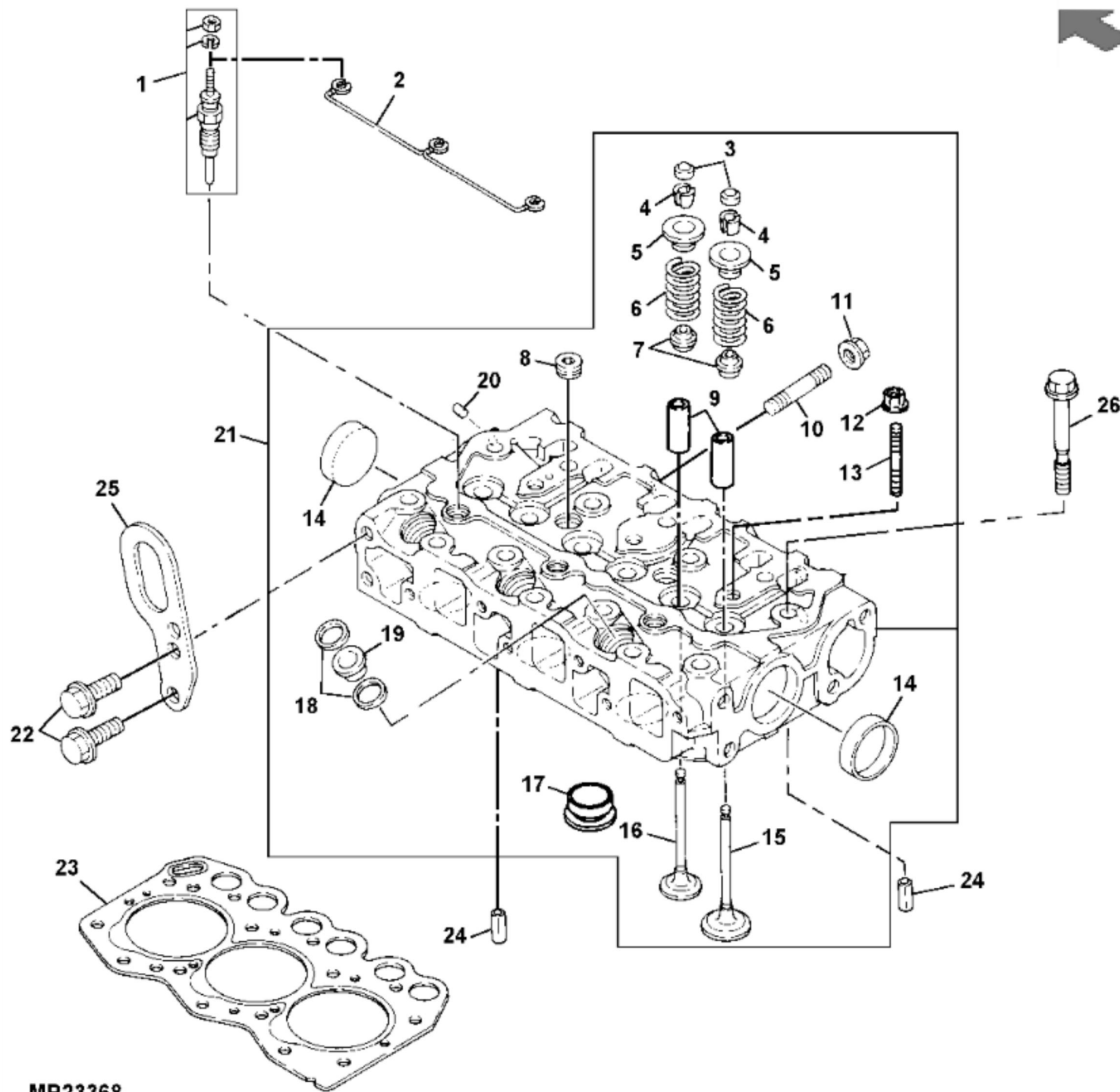




KEY	PART NO.	PART NAME	QTY	REMARKS
1	CH10568	PACKING	2	
2	19M7774	SCREW	2	M6 X 12
3	AM875018	CYLINDER BLOCK	1	
4	30M7023	PLUG	2	
5	M806843	PLUG	1	STEEL, (SUB FOR CH10640)
6	CH17101	PLUG	4	
7	M808914	BUSHING	1	CAMSHAFT, (SUB FOR M800013)
8	M800006	DOWEL PIN	2	
9	M800002	PLUG	2	
10	M89140	SHAFT	1	IDLE GEAR
11	19M7774	SCREW	3	M6 X 12
12	M89139	PLATE	1	
13	40M7080	SNAP RING	1	
14	AM875059	BEARING KIT	4	STD
14	AM875026	BEARING KIT	4	.25 MM (.010") OS
15	M800012	BOLT	8	
16	M89143	GUIDE	1	
17	CH10571	PACKING	1	
18	AM875060	BEARING KIT	2	THRUST
19	CH15478	PLUG	1	
20	CH10314	PLUG	2	
21	AM100800	DRAIN VALVE	1	
22	M802254	PIN	2	
23	M802255	PIN	2	
24	AM100856	SWITCH	1	OIL PRESSURE, (SUB FOR CH15500, THIS APPLICATION)
25	M800420	DIPSTICK	1	
26	M800045	GUIDE	1	
27	19M7300	CAP SCREW	1	M6 X 10
..	AM119082	DIESEL ENGINE	1	(ENGINE MARKED 3TN66-UJ2) (SUB AM875017)
..	AM130473	DIESEL ENGINE	1	(ENGINE MARKED 3TN66-EUJ2) (SUB AM875017)
..	MIA882702	SHORT BLOCK ASSEMBLY	1	SUB FOR AM875017

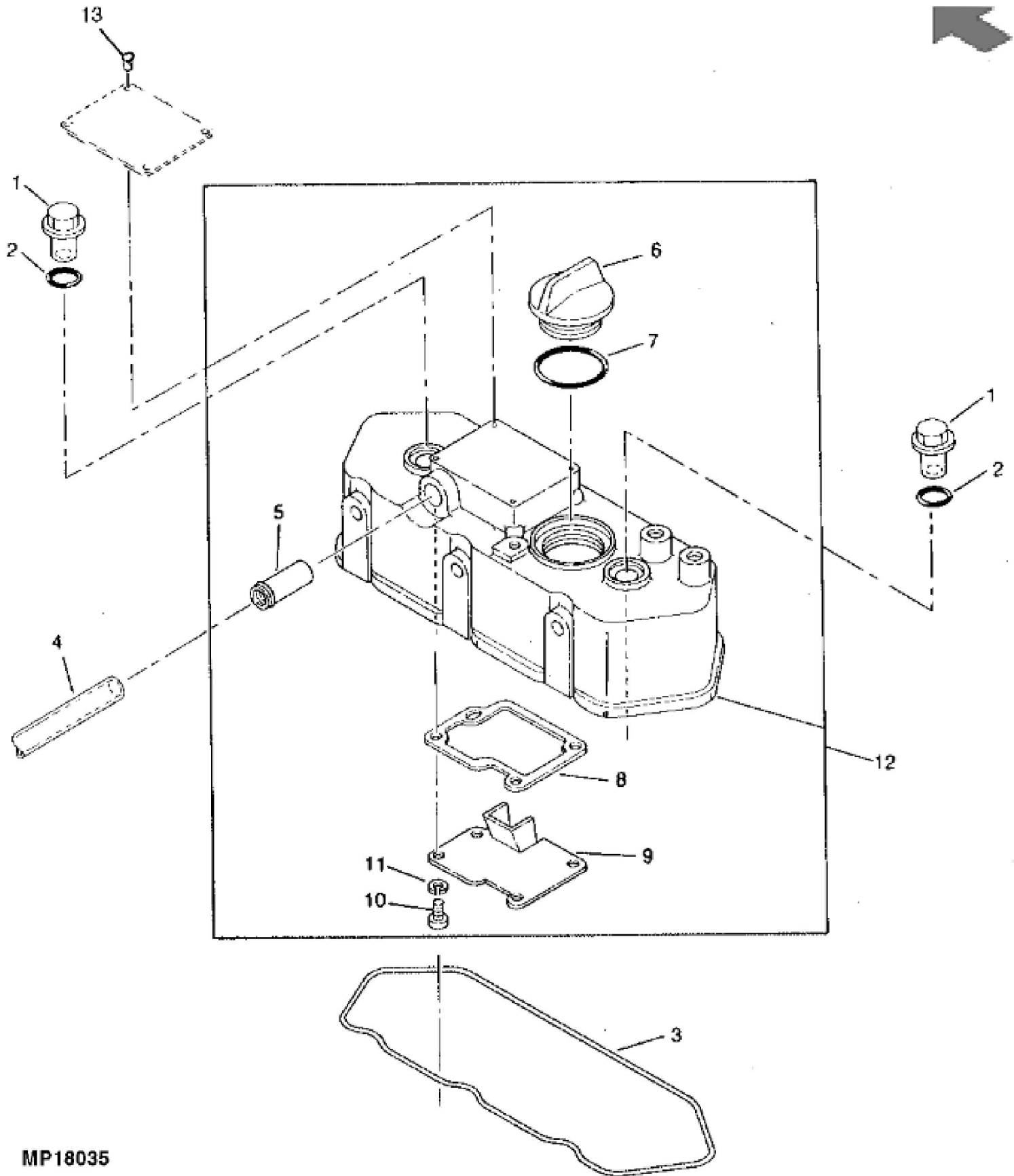


MP23368

KEY	PART NO.	PART NAME	QTY	REMARKS
1	M87919	GLOW PLUG	3	
2	M87920	ELEC. CONNECTOR TERMINAL	1	
3	M800023	CAP	6	
4	AM878864	RETAINER KIT	6	(PKG OF 2 SIDES), VALVE RETAINER, (SUB FOR (2) M800021)
5	M800020	HOLDER	6	
6	M800019	SPRING	6	
7	M800022	SEAL	6	NLA; ORDER MIU801996
7	MIU801996	SEAL	6	
8	CH16747	PLUG	2	
9	M800067	GUIDE	6	
10	M800034	STUD	2	
11	14M7303	FLANGE NUT	2	M6
12	14M7298	FLANGE NUT	2	M8
13	M87836	STUD	2	ARM SUPPORT
14	CH17438	PLUG	2	
15	M800017	INTAKE VALVE	3	
16	M800018	EXHAUST VALVE	3	
17	.....	PLUG	3	
18	M89135	GASKET	6	
19	M89134	PACKING	3	
20	M87831	PLUG	1	
21	AM875030	CYLINDER HEAD	1	
22	19M7865	SCREW	2	M8 X 16, (ENGINE MARKED 3TN66-UJ2)
22	CH19780	BOLT	2	(ENGINE MARKED 3TN66-EUJ2)
23	M800004	ENGINE CYLINDER HEAD GASKET	1	
24	CH18079	SPRING PIN	2	
25	MIU800461	BRACKET	1	LIFT, (SUB FOR M800066)
26	M808915	BOLT	14	(SUB FOR M800003)



KEY	PART NO.	PART NAME	QTY	REMARKS	
1	CH17950	RING	2		
2	R63075	BALL	2		
3	AM875002	ROCKER ARM SHAFT	1		
4	14M7194	NUT	6	M6	
5	M87841	SCREW	6		
6	AM875029	ROCKER ARM	3	EXHAUST	
7	14M7298	FLANGE NUT	2	M8	
8	M800024	SUPPORT	3		
9	AM875028	ROCKER ARM	3	INTAKE	
10	M800069	SELF-LOCKING SCREW	1		
11	M800025	SPRING	2		
12	CH19101	BOLT	1		
13	M87836	STUD	2		



MP18035

Thank you so much for reading.  
Please click the “Buy Now!”  
button below to download the  
complete manual.



After you pay.

You can download the most  
perfect and complete manual in  
the world immediately.

Our support email:

[ebooklibonline@outlook.com](mailto:ebooklibonline@outlook.com)