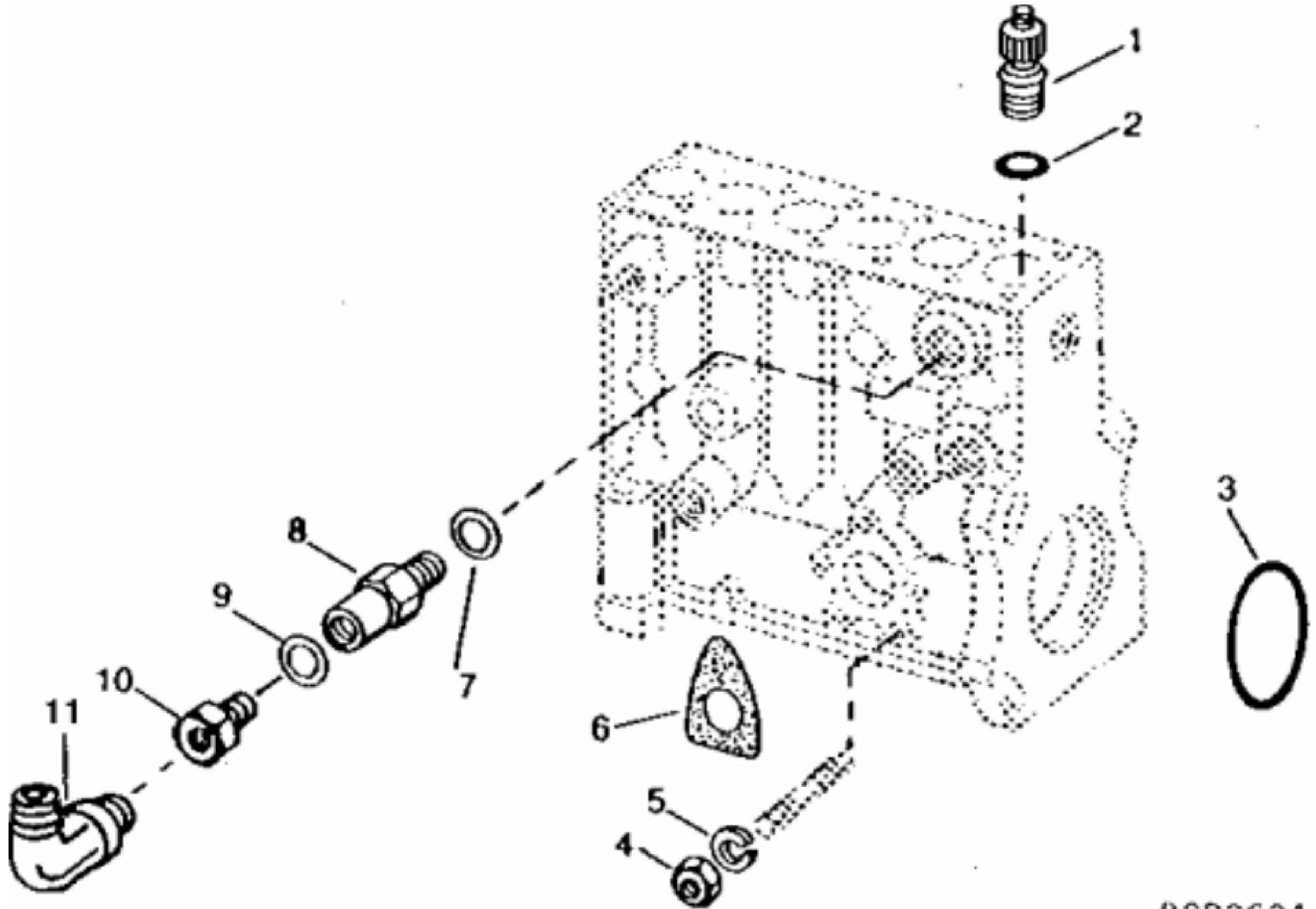


John Deere > Construction And Forestry >BULLDOZER >850C - BULLDOZER >750C and 850C Crawler Bulldozer(S.N. -883331) >04A ENGINE 6076AT032, 6081AT002 >0413A FUEL INJECTION SYSTEM  
 6076AT032, 6081AT002 6076AT032, 6081AT002 >ST300430 - FUEL INJECTION PUMP HOUSING CONNECTORS (ROBERT BOSCH) (6076)

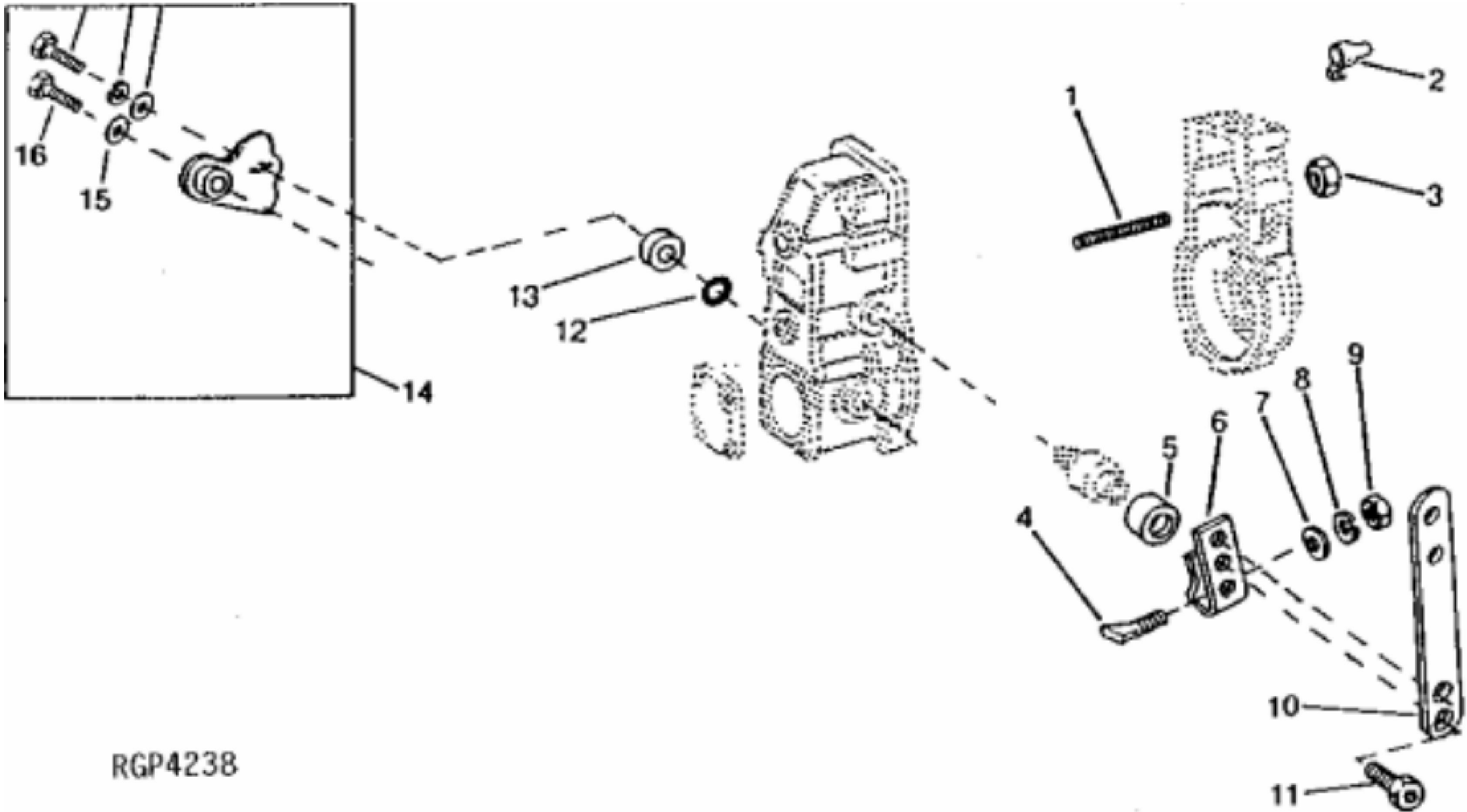
KEY	PART NO.	PART NAME	QTY	850C	REMARKS
1	R63016	ADAPTER FITTING	1	X	
2	51M4237	SEALING RING	2	X	(SUB FOR R53901)
3	AR77114	CONTROL VALVE	1	X	
4	R54859	SCREW	3	X	
5	R54857	JAW	3	X	
6	R54858	JAW	3	X	
7	R99532	COUPLING	6	X	
8	R54856	O-RING	6	X	
9	R99533	CAP	1	X	
10	R54873	O-RING	1	X	
11	R520574	GASKET	1	X	(SUB FOR R67879)
12	T24229	LOCK WASHER	3	X	
13	T31556	NUT	3	X	
14	R68435	GASKET	1	X	
15	R67877	O-RING	2	X	



RGP3634

John Deere > Construction And Forestry >BULLDOZER >850C - BULLDOZER >750C and 850C Crawler Bulldozer(S.N. -883331) >04A ENGINE 6076AT032, 6081AT002 >0413A FUEL INJECTION SYSTEM  
 6076AT032, 6081AT002 6076AT032, 6081AT002 >ST300431 - FUEL INJECTION PUMP HOUSING CONNECTORS (ROBERT BOSCH) (6081) (LATE ENGINE)

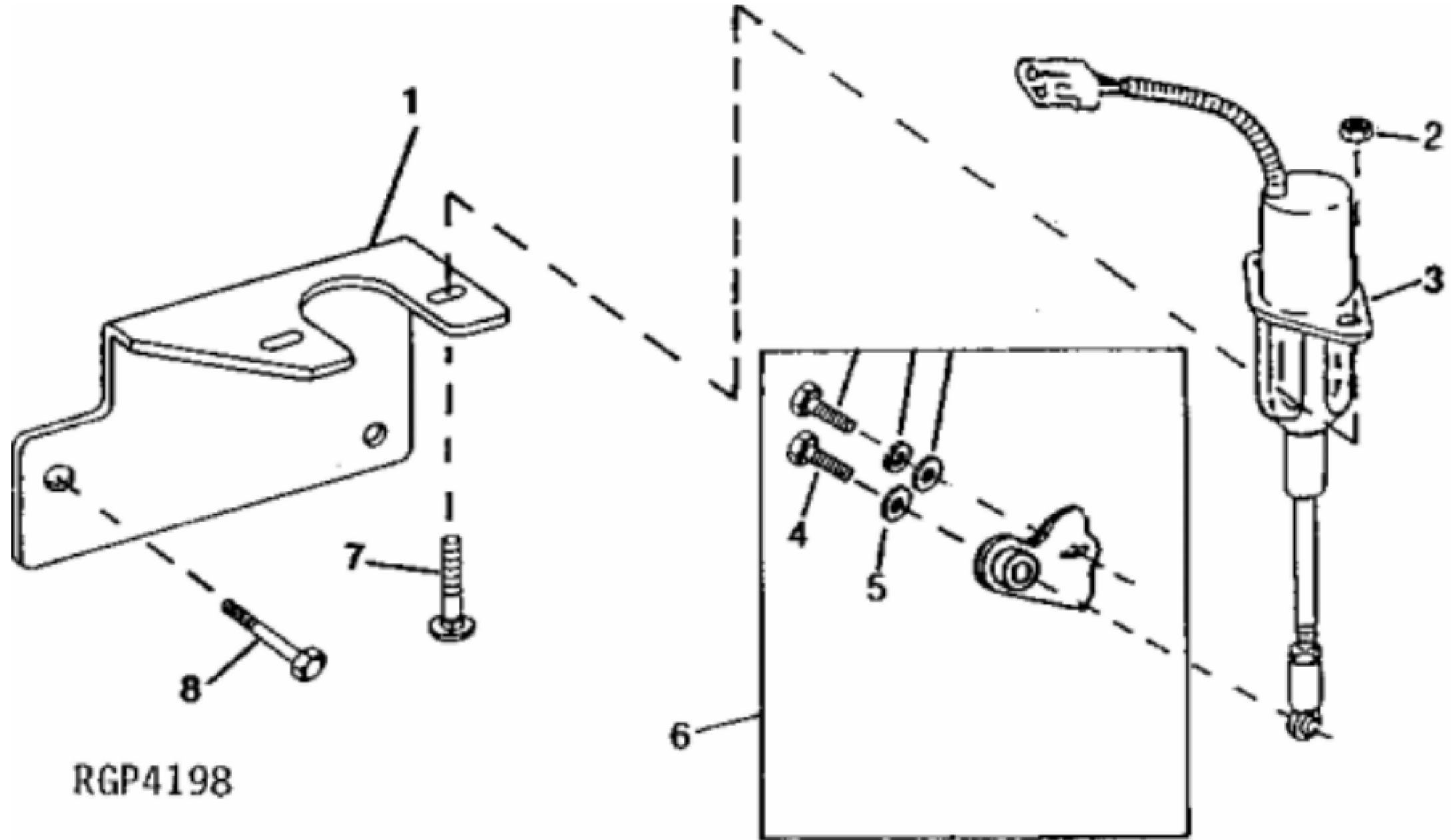
KEY	PART NO.	PART NAME	QTY	850C	REMARKS
1	.....	HOLDER	NA	X	
2	T24210	O-RING	6	X	
3	R76358	O-RING	1	X	
4	14M7297	NUT	3	X	M5
5	12H296	WASHER	3	X	0.216"
6	R520574	GASKET	1	X	(SUB FOR R67879)
7	51M4238	SEALING RING	1	X	(SUB FOR R53899)
8	RE36151	CONTROL VALVE	1	X	
9	51M4237	SEALING RING	1	X	(SUB FOR R53901)
10	R63016	ADAPTER FITTING	1	X	
11	R67364	ELBOW FITTING	1	X	



RGP4238

John Deere > Construction And Forestry > BULLDOZER > 850C - BULLDOZER > 750C and 850C Crawler Bulldozer(S.N. -883331) > 04A ENGINE 6076AT032, 6081AT002 > 0413A FUEL INJECTION SYSTEM  
 6076AT032, 6081AT002 6076AT032, 6081AT002 > ST300432 - FUEL INJECTION PUMP GOVERNOR LEVERS (ROBERT BOSCH) (6076)

KEY	PART NO.	PART NAME	QTY	850C	REMARKS
1	R60914	SCREW	1	X	
2	R53918	PACKING	1	X	
3	T31556	NUT	1	X	
4	R68715	PIN	1	X	
5	AR89339	SEAL	1	X	
6	AR89578	LEVER	1	X	
7	24M7054	WASHER	1	X	6.400 X 12 X 1.600 mm
8	T24229	LOCK WASHER	1	X	
9	R68716	NUT	1	X	
10	T140074	LEVER	1	X	Throttle, (NOT AS SHOWN)
11	19M8826	SCREW	2	X	M6 X 16
12	R53955	O-RING	1	X	
13	R68438	RETAINER	1	X	
14	RE54741	LEVER	1	X	Shut-Off
15	24H1287	WASHER	1	X	9/32" X 5/8" X 0.065"
16	19H1914	CAP SCREW	1	X	1/4" X 1"



RGP4198

Thank you so much for reading.  
Please click the “Buy Now!”  
button below to download the  
complete manual.



After you pay.

You can download the most  
perfect and complete manual in  
the world immediately.

Our support email:

[ebooklibonline@outlook.com](mailto:ebooklibonline@outlook.com)