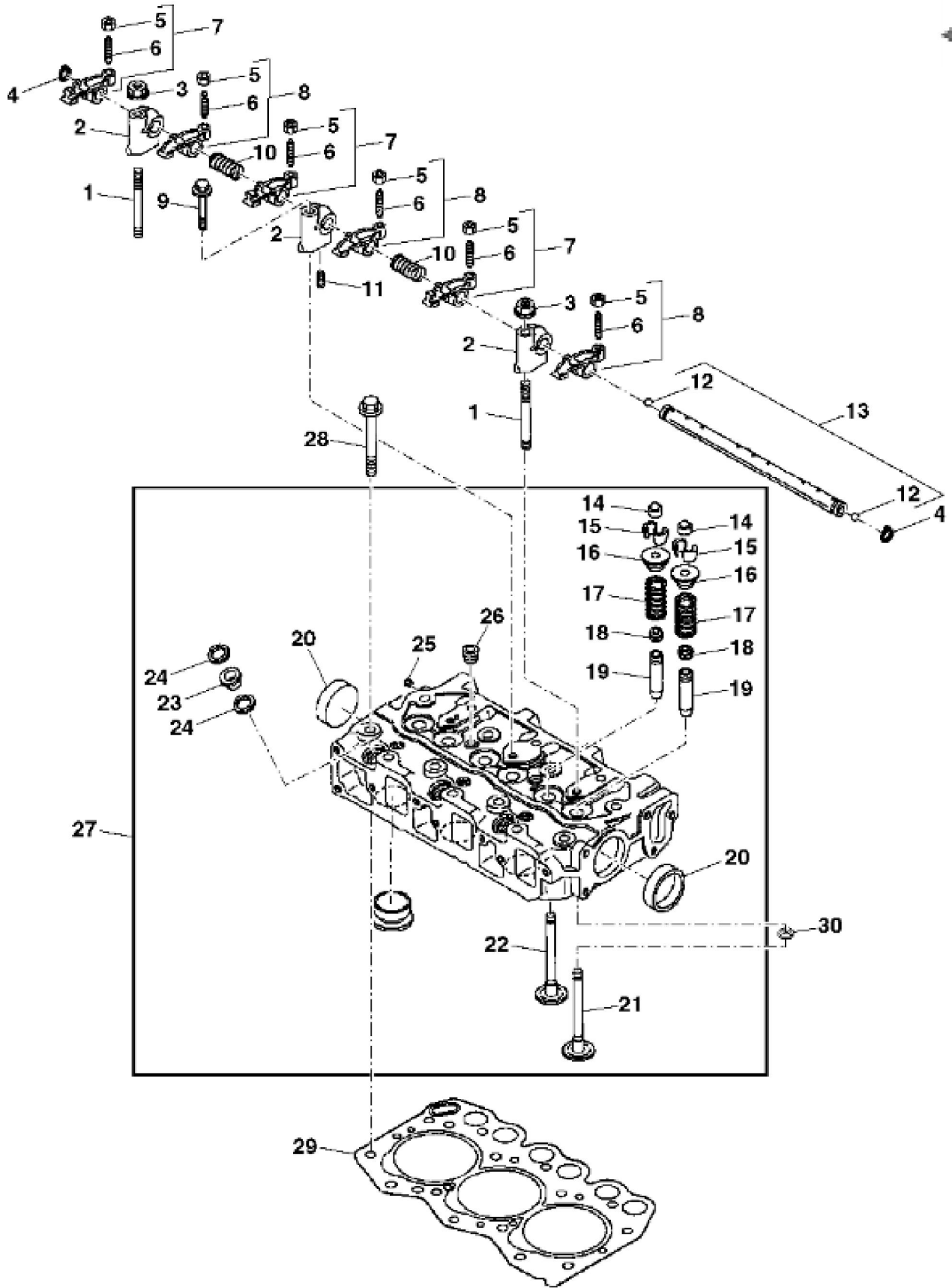


MP62844

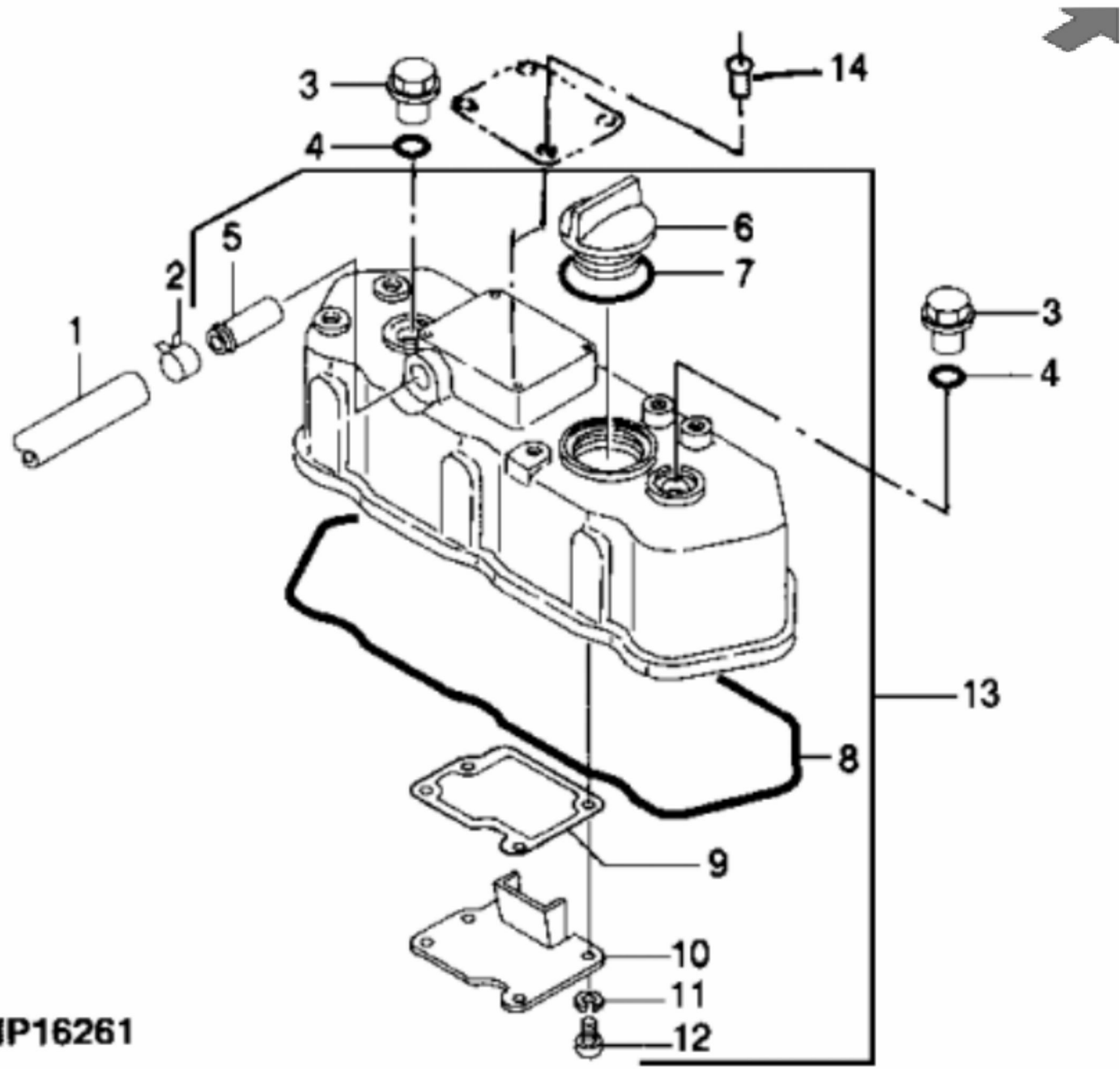
CYLINDER BLOCK AND MAIN BEARINGS

KEY	PART NO.	PART NAME	QTY	REMARKS
1	CH18079	SPRING PIN	2	(S), (SUB FOR M800003)
2	M802255	PIN	2	(S), (SUB FOR M806557)
2	M802254	PIN	2	(S)
2	M800007	PLUG	1	(S)
3	30M7023	PLUG	2	(S), (REPLACES CH10642)
4	M806843	PLUG	1	(S)
4	M809592	PIPE PLUG	1	(S), 3TNE68C-EJTM
5	CH17101	PLUG	4	(S)
6	M808914	BUSHING	1	(S), (SUB FOR M800013)
7	M800002	PLUG	2	(S)
8	AM875059	BEARING KIT	4	(S), MAIN, STD
8	AM875026	BEARING KIT	4	.25 MM (.010") US, MAIN
9	BEARING CAP	1	(S), (THRUST & MAIN BEARINGS)
10	BEARING CAP	3	(S), (MAIN BEARINGS ONLY)
11	M800012	BOLT	8	(S)
12	AM875060	BEARING KIT	2	(S), THRUST
13	CH10314	PLUG	2	(S)
14	CH15478	PLUG	1	(S)
15	AM878699	CYLINDER BLOCK	1	(S)
..	AM130502	SHORT ENGINE	AR	NLA ORDER AM881159; INCLUDES ITEMS MARKED (S)
..	MIA882703	SHORT BLOCK ASSEMBLY	1	SUB FOR AM881159



CYLINDER HEAD, VALVES AND ROCKER ARMS

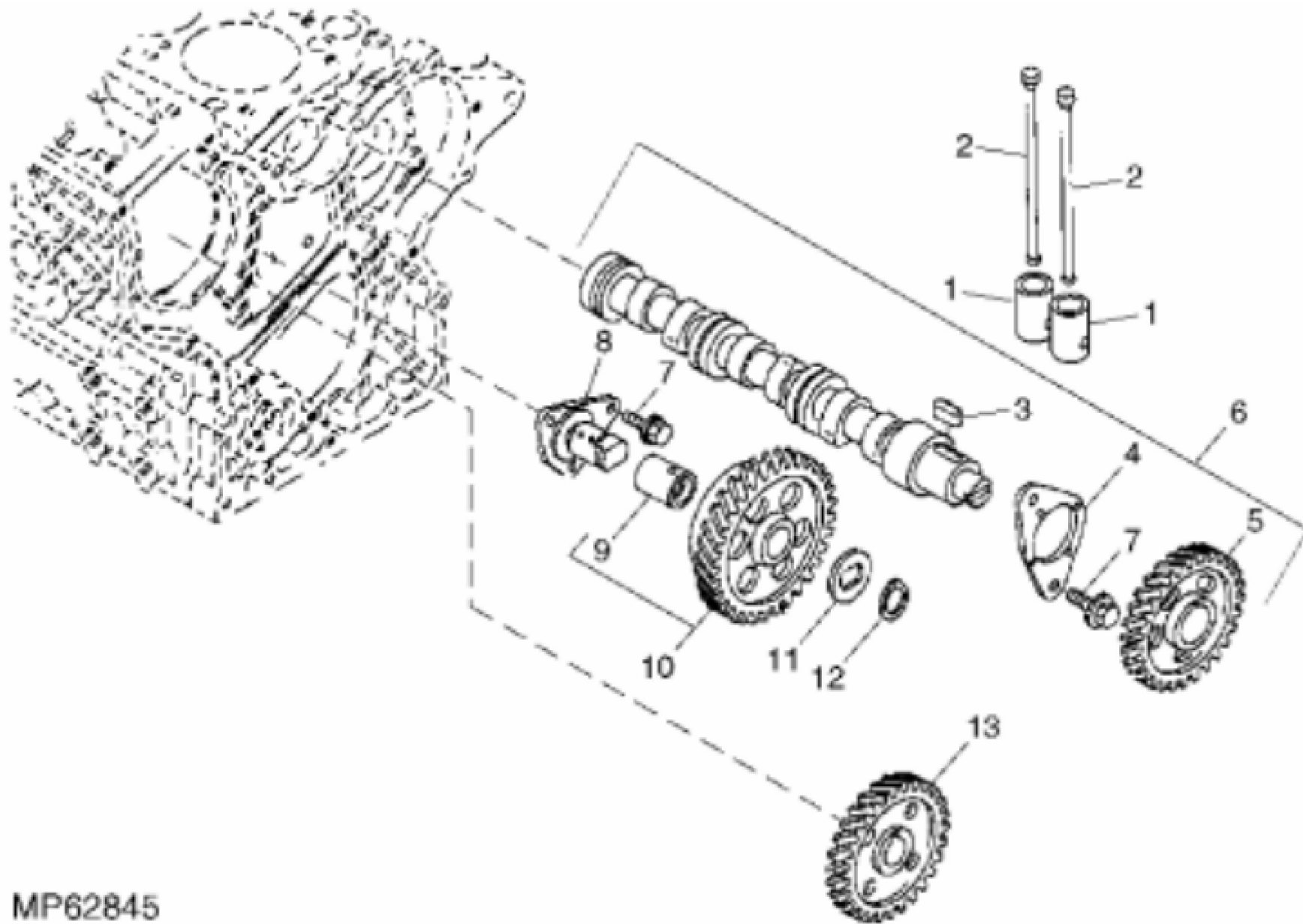
KEY	PART NO.	PART NAME	QTY	REMARKS
1	M87836	STUD	2	
2	M800024	SUPPORT	3	ROCKER ARM
3	14M7298	FLANGE NUT	2	M8
4	CH17950	RING	2	
5	14M7194	NUT	6	M6
6	M87841	SCREW	6	
7	AM875029	ROCKER ARM	3	EXHAUST
8	AM875028	ROCKER ARM	3	INTAKE
9	CH19101	BOLT	1	
10	M800025	SPRING	2	
11	M800069	SELF-LOCKING SCREW	1	
12	L38717	BALL	2	(SUB FOR CH18341 OR R63075)
13	AM875002	ROCKER ARM SHAFT	1	
14	M800023	CAP	6	
15	AM878864	RETAINER KIT	6	VALVE RETAINER (INCLUDES (2) SIDES)
16	M800020	HOLDER	6	
17	M800019	SPRING	6	VALVE
18	M800022	SEAL	6	NLA; ORDER MIU801996; VALVE STEM
18	MIU801996	SEAL	6	
19	M800067	GUIDE	6	VALVE
20	CH17438	PLUG	2	
21	M800017	INTAKE VALVE	3	
22	M800018	EXHAUST VALVE	3	
23	M89134	PACKING	3	(NOZZLE PROTECTOR)
24	M89135	GASKET	6	NOZZLE
25	M87831	PLUG	1	
26	15H559	PIPE PLUG	2	1/4"
27	AM878678	CYLINDER HEAD	1	
28	M808915	BOLT	14	(SUB FOR M800003)
29	M807312	ENGINE CYLINDER HEAD GASKET	1	GLOW PLUG, (SUB FOR M806557)
30	MIU801242	VALVE SEAT INSERT	1	Intake Valve



MP16261

CYLINDER HEAD COVER AND GASKETS

KEY	PART NO.	PART NAME	QTY	REMARKS	
1	M806790	PIPE	1	CRANKCASE BREATHER, (3TNE68-JTM)	
2	M806791	HOSE CLAMP	1	(3TNE68-JTM)	
3	CH10348	NUT	2		
4	CH10568	PACKING	2		
5	M87840	FITTING	1	(1), (2)	
6	M805710	CAP	1	(1), (2)	
7	M805711	PACKING	1	(1), (2)	
8	M809218	GASKET	1	(1), (SUB FOR M802059)	
9	M805818	GASKET	1	(1), (2)	
10	M800014	DEFLECTOR	1	(1), (2)	
11	12M7064	LOCK WASHER	4	5 mm, (1), (2)	
12	M87839	SCREW	4	(1), (2)	
13	AM875027	VALVE COVER	1	(INCLUDES ITEMS MARKED (1))	
13	AM882586	VALVE COVER	1	(INCLUDES ITEMS MARKED (2)), (SUB FOR AM875027)	
14	CH10061	RIVET	4	ENGINE LABEL	



MP62845

Thank you so much for reading.
Please click the “Buy Now!”
button below to download the
complete manual.



After you pay.

You can download the most
perfect and complete manual in
the world immediately.

Our support email:

ebooklibonline@outlook.com