

TT00101

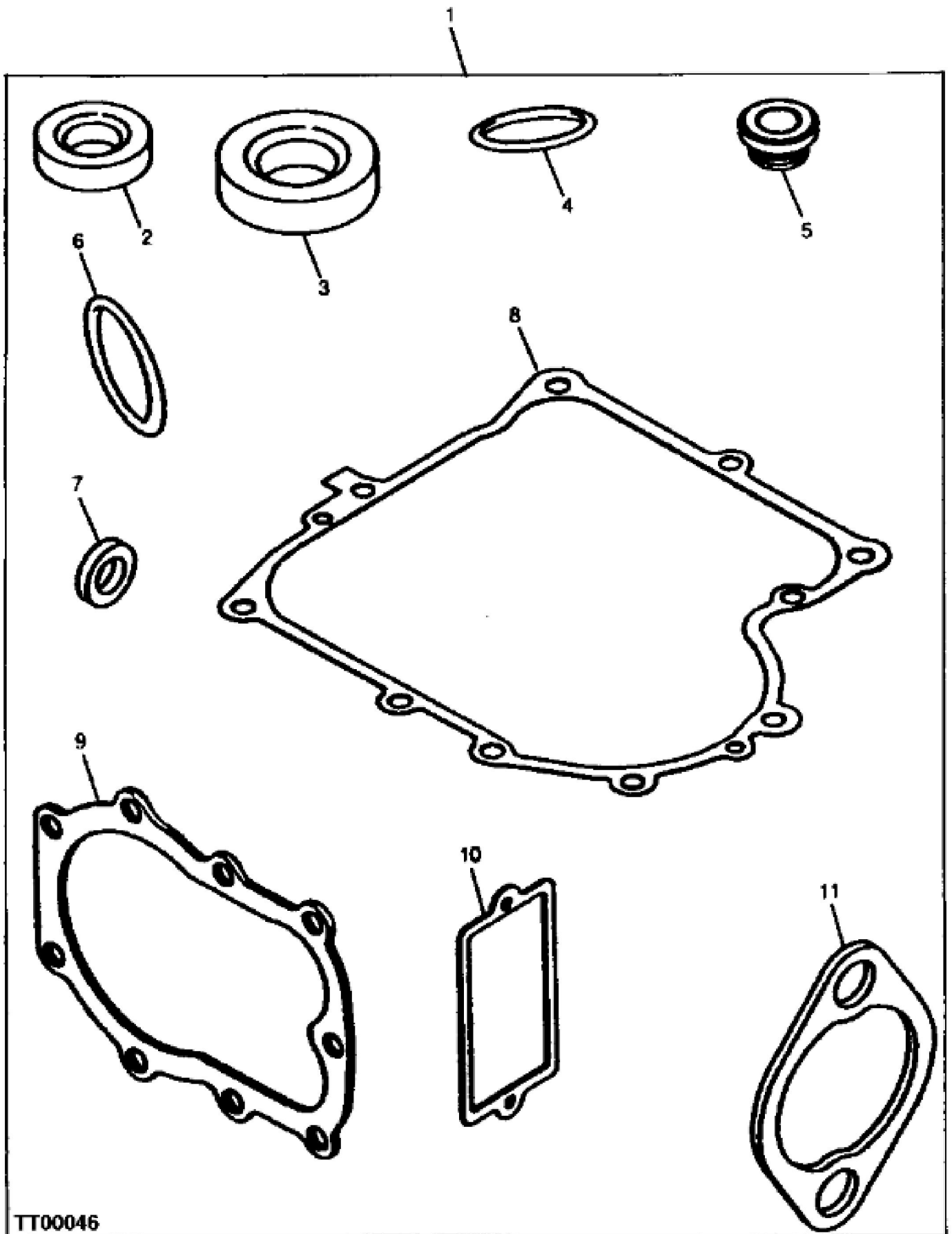
| KEY | PART NO. | PART NAME | QTY | REMARKS |
|-----|-----------|---------------|-----|-------------------------------------|
| 1 | LG224545 | SHIELD | 1 | HEAT |
| 2 | LG391086S | SEAL | 1 | UPPER CRANK (SUB FOR LG391086) |
| 3 | LG690222 | FLYWHEEL | 1 | (SUB FOR LG492326) |
| 4 | LG222561 | OIL CUP | 1 | |
| 5 | LG225136 | WASHER | 1 | (SUB FOR LG224061) |
| 6 | LG691323 | SPACER | 1 | (SUB FOR LG280848) |
| 7 | LG691058 | BOLT | 2 | (SUB FOR LG94627) |
| 8 | LG691927 | FAN | 1 | (SUB FOR LG281355 OR LG281400) |
| 9 | LG224413 | RETAINER | 1 | |
| 10 | LG690492 | SCREEN | 1 | (SUB FOR LG224948) |
| 11 | LG94626 | SCREW | 3 | |
| 12 | LG691802 | VALVE SEAT | 1 | NLA; INTAKE (SUB FOR LG261463) |
| 13 | LG691844 | VALVE SEAT | 1 | NLA; SUB FOR LG262924; Exhaust |
| 14 | LG271866S | GASKET | 1 | (SUB FOR LG271866) |
| 15 | LG494240 | CYLINDER HEAD | 1 | (NLA) |
| 16 | LG690904 | CAP SCREW | 9 | NLA; SUB FOR LG94622 |
| 17 | LG494238 | RESERVOIR | 1 | |
| 18 | LG692226 | GASKET | 1 | 0.38MM (.015"), (SUB FOR LG271916) |
| 18 | LG692406 | GASKET | 1 | 0.13MM (.015"), (SUB FOR LG271997) |
| 18 | LG692405 | GASKET | 1 | 0.23MM (.009"), (SUB FOR LG271996) |
| 19 | LG27803S | GASKET | 1 | (SUB FOR LG27803) |
| 20 | LG495735 | BREATHER | 1 | |
| 21 | LG691328 | TUBE | 1 | (SUB FOR LG281246) |
| 22 | LG691666 | CAP SCREW | 2 | (SUB FOR LG94621) |
| 23 | LG692125 | CAP SCREW | 9 | (SUB FOR LG94624) |
| 24 | 15H623 | PIPE PLUG | 1 | 3/8", (SUB FOR LG94239 OR LG690946) |
| 25 | LG291675S | SEAL | 1 | LOWER CRANK (SUB FOR LG291675) |
| 26 | LG496413 | CRANKCASE | 1 | NLA, (INCLUDES PARTS MARKED (A)) |
| 27 | LG491986 | BUSHING KIT | 1 | NLA; (A) Governor Shaft Bushing |
| 28 | LG399676 | RING GEAR | 1 | (SUB FOR LG392134) |
| 29 | LG399265 | BEARING | 1 | NLA; ORDER MIA11778; (A) |
| 29 | MIA11778 | SEAL KIT | 1 | |
| 30 | LG691003 | CAP SCREW | 1 | (A) (SUB FOR LG94623 OR LG94386) |
| 31 | AM119686 | DRAIN VALVE | 1 | |

| KEY | PART NO. | PART NAME | QTY | REMARKS | |
|-----|------------|-----------------|-----|---|--|
| 32 | M120777 | CAP | 1 | | |
| 33 | | HOSE | 1 | (MAKE FROM TY22327) | |
| .. | LG499362 | LABEL KIT | 1 | ENGINE (SUB FOR LG491252) | |
| .. | 28M7071162 | GASOLINE ENGINE | 1 | (13 HP), (SUB FOR 28M7070526A1 OR 2847071036E1) | |

John Deere > Turf And Utility >TRACTOR, LAWN AND GARDEN >SABRE - TRACTOR, LAWN AND GARDEN >SABRE 1338G, 1538H, 1546G, 1638HS, 1646H and EUROPRO 1338GS, 1538HX, 1546GS, 1646HS, Lawn Tractors >20 ENGINE 28M7071162, 28Q7770536E1, 28N7071135 >ST570457 - CRANKSHAFT, PISTON AND DIPSTICK (13 HP)

| KEY | PART NO. | PART NAME | QTY | REMARKS |
|-----|-----------|-----------------|-----|---|
| 1 | LG222698S | SHAFT KEY | 1 | (SUB FOR LG222698) |
| 2 | LG262932 | GEAR | 1 | |
| 3 | LG261961 | GUIDE | 1 | NLA; Exhaust |
| 4 | LG231218 | GUIDE | 1 | NLA; Intake |
| 5 | LG299691 | PISTON PIN | 1 | (STD) |
| 5 | LG391286 | PISTON PIN | 1 | .13 MM (.005") OS |
| 6 | LG394661 | PISTON | 1 | (STD) (INCLUDES LG260924) |
| 6 | LG394663 | PISTON | 1 | .50 MM (.020") OS |
| 7 | LG391780 | PISTON RING KIT | 1 | (STD) |
| 7 | LG392331 | PISTON RING KIT | 1 | NLA; STD (CHROME) |
| 7 | LG391782 | PISTON RING KIT | 1 | .50 MM (.020") OS |
| 8 | LG691792 | CLIP | 2 | (SUB FOR LG260924) |
| 9 | LG490348 | CONNECTING ROD | 1 | .020" US, NLA, (STD) |
| 9 | LG490469 | CONNECTING ROD | 1 | .50 MM (.020") US, NLA |
| 10 | LG281370S | SEAL | 1 | (SUB FOR LG68838 OR LG281370) |
| 11 | LG496113 | TUBE | 1 | |
| 12 | LG270920 | SEAL | 1 | |
| 13 | LG495230 | FILLER CAP | 1 | |
| 14 | LG496415 | TUBE | 1 | NLA |
| 15 | LG691968 | GEAR | 1 | (SUB FOR LG490815) |
| 16 | M150337 | GEAR | 1 | NLA; CAM (SUB FOR LG212897 OR LG692123) |
| 17 | LG691096 | CAP SCREW | 1 | (SUB FOR LG94593) |
| 18 | LG298909 | PIN | 1 | |
| 19 | LG399891 | COUNTERWEIGHT | 1 | |
| 20 | LG691714 | LINK | 1 | (SUB FOR LG213998) |
| 21 | LG498971 | CRANKSHAFT | 1 | (SUB FOR LG495162) |
| 22 | M153303 | SCREW | 1 | (SUB FOR LG94673 OR LG691658) |
| 23 | LG691779 | EXTENSION | 1 | (SUB FOR LG231828) |
| 24 | LG691639 | KEY | 1 | (SUB FOR LG94196) |
| 25 | LG691811 | TAPPET | 2 | (SUB FOR LG262248) |
| 25 | LG691811 | TAPPET | 1 | NLA; ORDERM123333 |
| 26 | LG690656 | RETAINER | 1 | NLA; SUB FOR LG221596 |
| 27 | LG494553 | RETAINER | 1 | NLA |
| 28 | LG691605 | SPRING | 1 | NLA, (SUB FOR LG65906) |

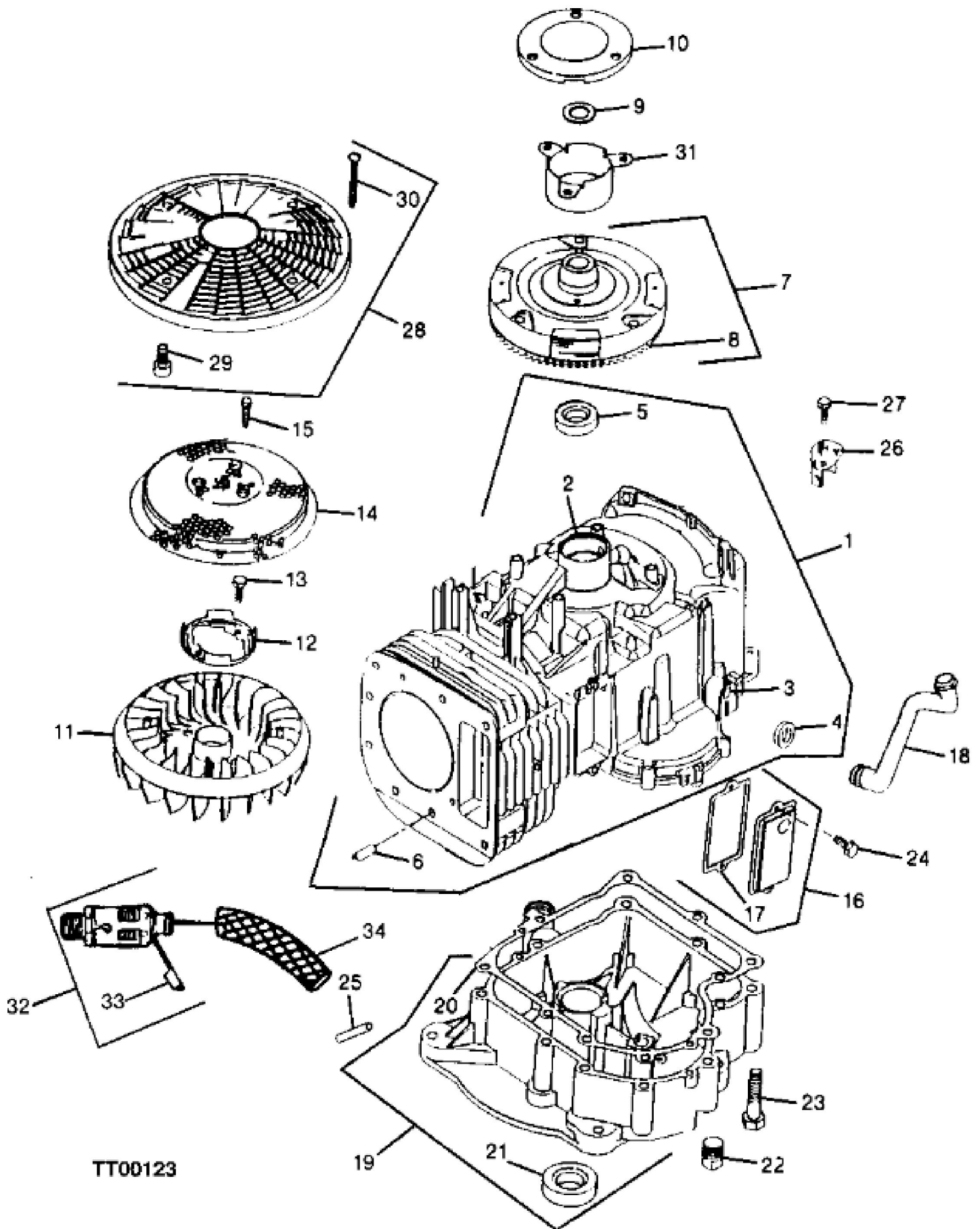
| KEY | PART NO. | PART NAME | QTY | REMARKS | |
|-----|-----------|---------------|-----|-----------------------------------|--|
| 29 | LG691939 | RETAINER | 1 | NLA; SUB FOR LG292260 | |
| 30 | LG262247S | INTAKE VALVE | 1 | (SUB FOR LG262247) | |
| 31 | LG262246S | EXHAUST VALVE | 1 | SUB FOR LG262246; NLA | |
| 32 | LG691597 | SPRING | 1 | NLA; SUB FOR LG26828 | |
| 33 | 37H73 | SCREW | 2 | | |
| 34 | LG691133 | BOLT | 2 | NLA; (SUB FOR LG94671 OR LG95017) | |
| 35 | LG691588 | LOCK | 1 | (PKG OF 2), (SUB FOR LG26026) | |



TT00046

John Deere > Turf And Utility >TRACTOR, LAWN AND GARDEN >SABRE - TRACTOR, LAWN AND GARDEN >SABRE 1338G, 1538H, 1546G, 1638HS, 1646H and EUROPRO 1338GS, 1538HX, 1546GS, 1646HS, Lawn Tractors >20 ENGINE 28M7071162, 28Q7770536E1, 28N7071135 >ST570458 - ENGINE GASKETS (13 HP)

| KEY | PART NO. | PART NAME | QTY | REMARKS |
|-----|-----------|------------|-----|--|
| 1 | LG494241 | GASKET KIT | 1 | |
| 2 | LG391086S | SEAL | 1 | UPPER CRANKSHAFT (SUB FOR LG391086) |
| 3 | LG291675S | SEAL | 1 | LOWER CRANKSHAFT (SUB FOR LG291675) |
| 4 | LG691870 | SEAL | 1 | DIPSTICK (SUB FOR LG270920) |
| 5 | LG281370S | SEAL | 1 | DIPSTICK TUBE (SUB FOR LG281370) |
| 6 | LG691917 | GASKET | 1 | AIR CLEANER (SUB FOR LG281106) |
| 7 | LG692407 | SEAL | 1 | CRANKCASE BREATHER TUBE (SUB FOR LG491323) |
| 8 | LG692226 | GASKET | 1 | .38 MM (.015"), (SUB FOR LG271916) |
| 8 | LG692406 | GASKET | 1 | .13 MM (.005"), (SUB FOR LG271997) |
| 8 | LG692405 | GASKET | 1 | .23 MM (.009"), (SUB FOR LG271996) |
| 9 | LG271866S | GASKET | 1 | CYLINDER HEAD (SUB FOR LG271866) |
| 10 | LG27803S | GASKET | 1 | BREATHER (SUB FOR LG27803) |
| 11 | LG272554S | GASKET | 1 | INTAKE MANIFOLD (SUB FOR LG272554) |



TT00123

Thank you so much for reading.
Please click the “Buy Now!”
button below to download the
complete manual.



After you pay.

You can download the most
perfect and complete manual in
the world immediately.

Our support email:

ebooklibonline@outlook.com