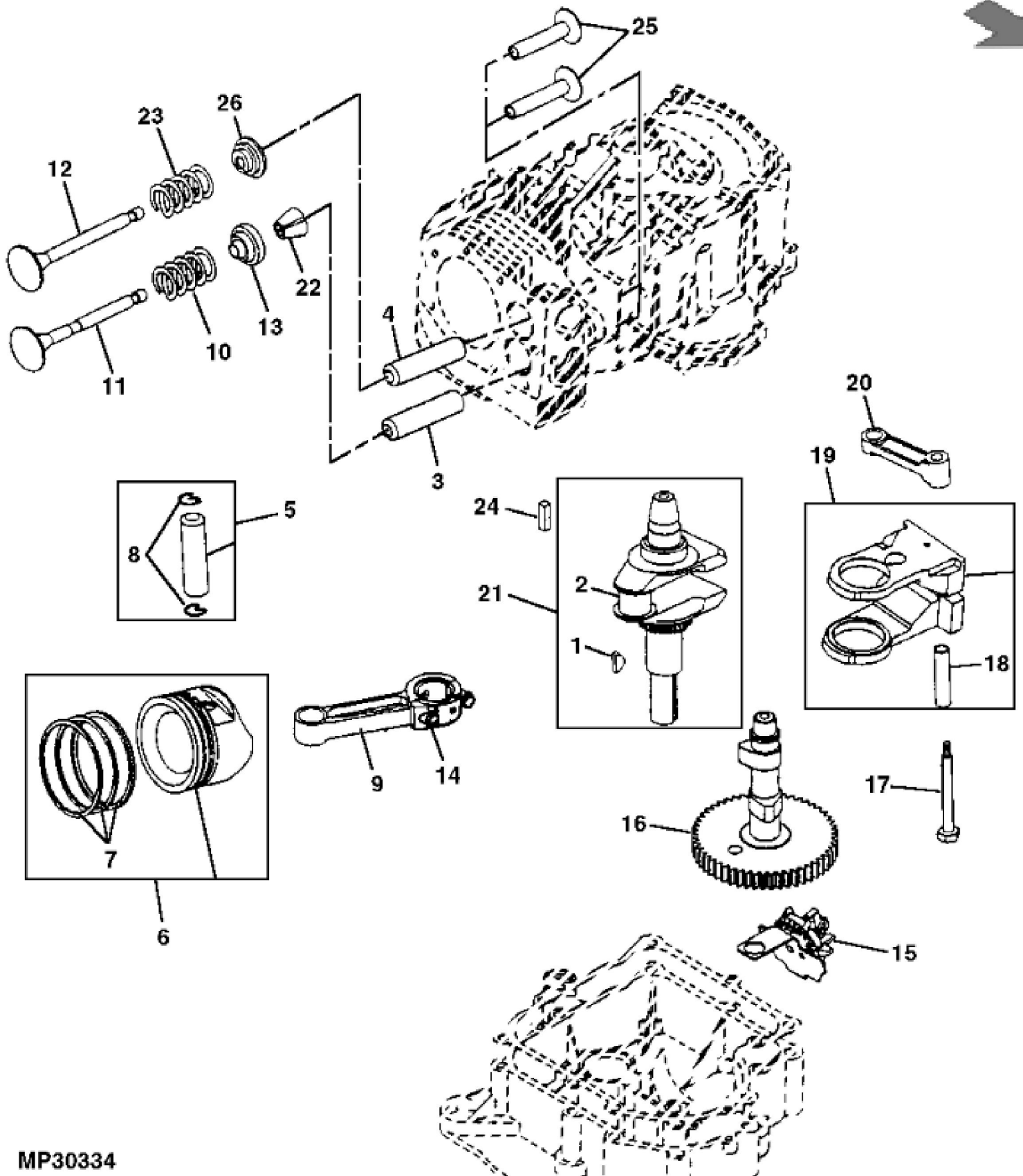


MP19363

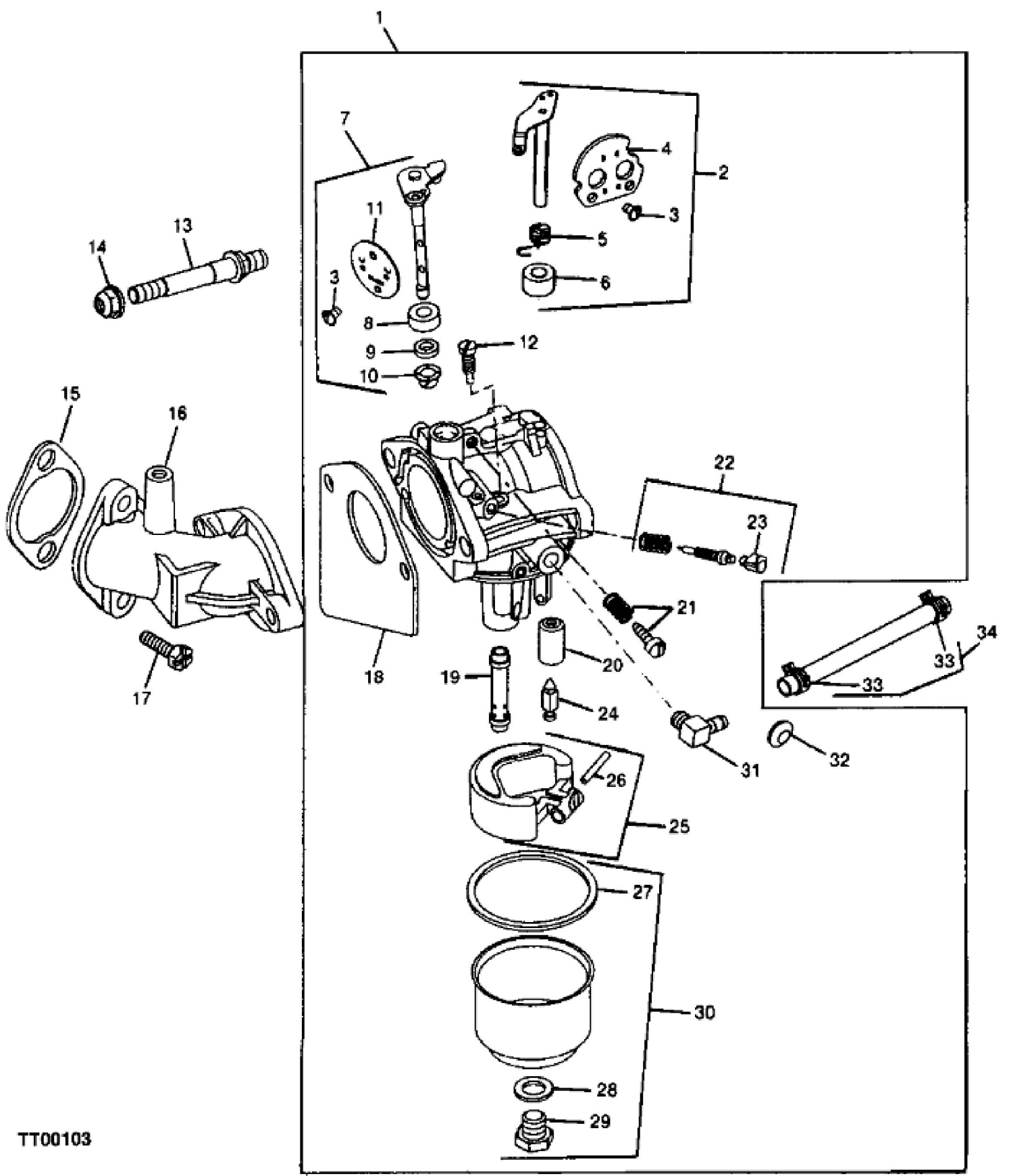
KEY	PART NO.	PART NAME	QTY	Serial No.	REMARKS
1	M150932	SHIELD	1		NLA, HEAT, (SUB FOR LG224545 AND LG690459)
2	LG391086S	SEAL	1		(A), UPPER CRANK, (SUB FOR LG391086)
3	LG693557	FLYWHEEL	1		(SUB FOR LG492326 AND LG690222)
4	LG222561	OIL CUP	1		
5	LG225136	WASHER	1		(SUB FOR LG224061)
6	LG691323	SPACER	1		(SUB FOR LG280848)
7	LG691058	BOLT	2		(SUB FOR LG94627)
8	M145401	FAN	1		NLA; SUB FOR LG281355, LG281400 AND LG691927
9	LG690452	RETAINER	1		(SUB FOR LG224413)
10	LG690492	HOUSING	1		(SUB FOR LG224948)
11	LG691655	CAP SCREW	3		NLA; SUB FOR LG94626
12	LG691802	VALVE SEAT INSERT	1		(A), INTAKE, (SUB FOR LG261463)
13	LG691844	VALVE SEAT INSERT	1		NLA; (A); SUB FOR LG262924; Exhaust
14	LG271866S	GASKET	1		(SUB FOR LG271866)
15	LG494240	CYLINDER HEAD	1		(NLA)
16	LG690904	CAP SCREW	9		NLA; SUB FOR LG94622
17	LG494238	RESERVOIR	1		ENGINE SUMP
18	LG692226	GASKET	1		.015" (0.381 MM), (SUB FOR LG271916)
18	LG692406	GASKET	1		.005" (0.127 MM), (SUB FOR LG271997)
18	LG692405	GASKET	1		.009" (0.229 MM), (SUB FOR LG271996)
19	LG27803S	GASKET	1		(SUB FOR LG27803)
20	LG495734	BREATHER	1		NLA
21	LG692253	STRUCTURAL TUBE	1		(SUB FOR LG280100)
22	LG691666	CAP SCREW	1		(SUB FOR LG94621)
23	LG692125	CAP SCREW	1		(SUB FOR LG94624)
24	15H623	DRAIN PLUG	1		
25	LG291675S	SEAL	1		LOWER CRANK, (SUB FOR LG291675)
26	LG496413	CRANKCASE	1		(INCLUDES PARTS MARKED (A))
27	LG491986	BUSHING KIT	1		NLA; (A); Governor Shaft Bushing
28	LG399676	RING GEAR	1		KIT (INCLUDES STARTING MOTOR PINION), (SUB FOR LG392134)
29	LG399265	BEARING	1		NLA; ORDER MIA11778; (A)
29	MIA11778	SEAL KIT	1		
30	LG94386	SCREW	1	_____-095000	(SUB LG691003)

KEY	PART NO.	PART NAME	QTY	Serial No.	REMARKS
30	LG691003	CAP SCREW	1	095001-_____	(A), (SUB FOR LG94930)
31	AM123896	DRAIN VALVE	1		NLA
32	HOSE	1		(CUT FROM PMK010-0812) (SUB FOR M96335)
33	19M7798	SCREW	1		M8 X 40, RH, FRONT
33	19M7897	SCREW	3		M8 X 35
34	14M7298	FLANGE NUT	4		M8
35	LG692407	SEAL	1		GOVERNOR SHAFT (INCLUDES M147497 BUSHING), (SUB FOR LG491323)
36	LG67218	FITTING	1		
37	M153303	SCREW	1		(SUB FOR LG94673 OR LG691658)
..	AM125646	GASOLINE ENGINE	1		(EPA/CARB CERTIFIED) (ENGINE MARKED 28M707- 1147-E1), (SUB FOR AM123891) (SUB AM126483) (ALSO ORDER AM126528)
..	LG499362	LABEL KIT	1		NLA (SUB FOR LG491252)



MP30334

KEY	PART NO.	PART NAME	QTY	Serial No.	REMARKS
1	LG691639	KEY	1		(SUB FOR LG94196)
2	LG691284	GEAR	1		TIMING, (SUB FOR LG262932)
3	LG261961	GUIDE	1		NLA; Exhaust Valve
4	LG231218	GUIDE	1		NLA; Intake Valve
5	LG498319	PISTON PIN	1		STD, (SUB FOR LG299691)
5	LG391286	PISTON PIN	1		0.127 MM (.005") OS
6	LG499284	PISTON REPLACEMENT KIT	1		STD, (SUB FOR LG394661 OR LG499282)
6	LG499292	PISTON REPLACEMENT KIT	1		0.50 MM (.020") OS, NLA; (SUB FOR LG499290 OR LG394663)
7	LG499996	PISTON RING KIT	1		STD, (SUB FOR LG391780)
7	LG392331	PISTON RING KIT	1		NLA; STD, (CHROME)
7	LG499998	PISTON RING KIT	1		0.50 MM (.020") OS, NLA, (SUB FOR LG391782)
8	LG691792	LOCK	2	____-095000	(SUB FOR LG260924)
8	LG691299	LOCK	2	095001-____	(SUB FOR LG263129)
9	LG490348	CONNECTING ROD	1		NLA, STD
9	LG490469	ROD	1		0.50 MM (.020") OS, NLA
10	LG691597	SPRING	1		NLA; SUB FOR LG26828
11	LG262246S	EXHAUST VALVE	1		SUB FOR LG262246; NLA
12	LG262247S	INTAKE VALVE	1		NLA (SUB FOR LG262247)
13	LG691939	RETAINER	1		NLA; SUB FOR LG292260
14	LG691133	BOLT	2		(SUB FOR LG94671 OR LG95017)
15	LG691968	GEAR	1		GOVERNOR, (SUB FOR LG490815)
16	M150337	GEAR	1		NLA; CAM, (SUB FOR LG212897 OR LG692123)
17	LG691096	CAP SCREW	1		(SUB FOR LG94593)
18	LG298909	PIN	1	____-095000	
18	LG691239	PIN FASTENER	1	095001-____	NLA; (SUB FOR LG230787)
19	LG692423	COUNTERWEIGHT	1		(SUB FOR LG399891, LG691973 OR LG499994)
20	LG691714	LINK	1		(SUB FOR LG213998)
21	AM129705	CRANKSHAFT	1		(INCLUDES LG692423) (SUB FOR LG498971)
22	LG494553	RETAINER	1		NLA
23	LG65906	SPRING	1		
24	LG222698S	SHAFT KEY	1		(SUB FOR LG222698)
25	LG691811	TAPPET	2		NLA; (SUB FOR LG262248)
26	LG690656	RETAINER	1		NLA; SUB FOR LG221596)



TT00103

Thank you so much for reading.
Please click the “Buy Now!”
button below to download the
complete manual.



After you pay.

You can download the most
perfect and complete manual in
the world immediately.

Our support email:

ebooklibonline@outlook.com