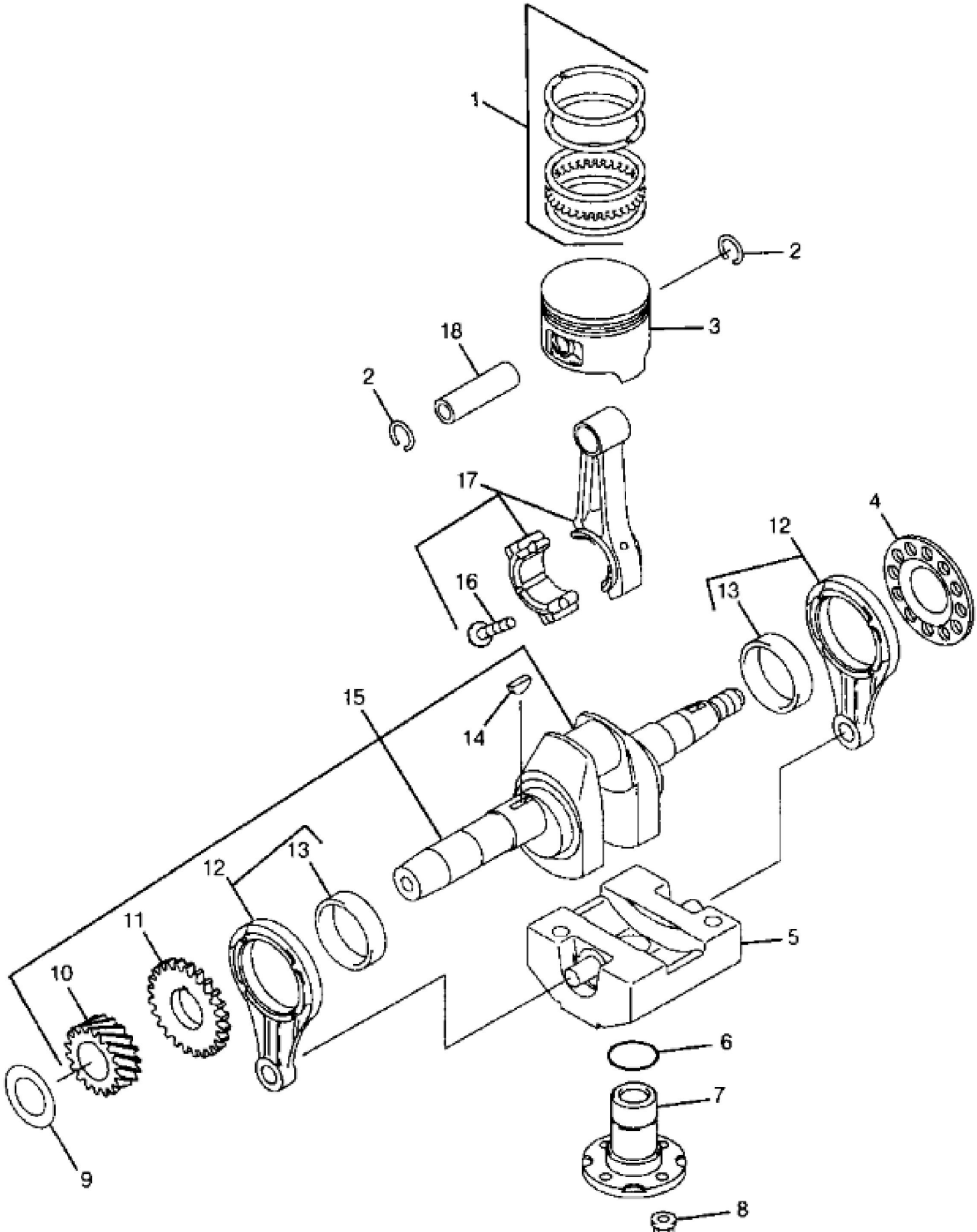


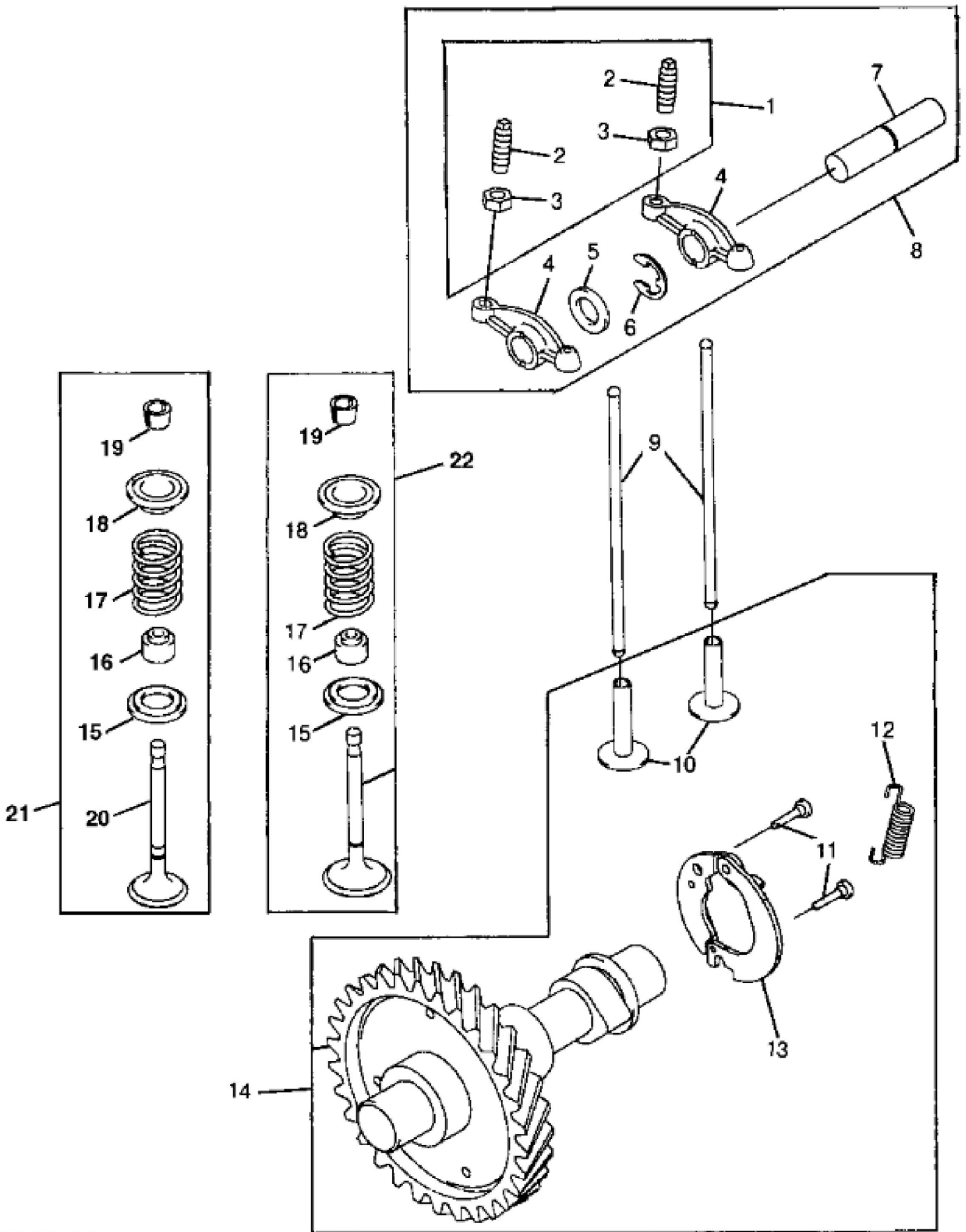
MP23031

KEY	PART NO.	PART NAME	QTY	Engine Serial No.	REMARKS
1	19M8318	SCREW	6		M8 X 45
2	M73817	VALVE	1		
3	W40494	PLATE	1		
4	M95848	SCREW	2		
5	W40491	GASKET	1		
6	W40493	VALVE COVER	1		(ENGINE MARKED AS15)
6	M145117	VALVE COVER	1		(ENGINE MARKED BS15, CS15 OR DS15)
7	W40499	O-RING	2		
8	19M8290	SCREW	2		M6 X 35
9	M70010	SNAP RING	2		
10	M96547	GUIDE	2		VALVE
11	AM119991	CYLINDER HEAD	1		
12	M131086	CRANKCASE	1		
13	M97289	SEAL	1		
14	W40495	ISOLATOR	1		
15	M74252	PIN	2		
16	M119139	GASKET	1		
17	M120220	COVER	1		
18	19M8318	SCREW	8		M8 X 45
19	W40497	BALL BEARING	1		
20	M88447	STUD	4		
21	PT18249	SEAL	1		
22	M131989	GASKET	1		(SUB FOR M119138)
23	M70227	PIN	2		
24	M68144	STUD	2	288339-_____	NLA; ORDER MIU11949
..	AM121775	GASOLINE ENGINE	1		(MARKED FE290D-AS15) (SUB MIA10849)
..	AM131239	GASOLINE ENGINE	1		(MARKED FE290D-BS15) (SUB MIA10849)
..	AM135061	GASOLINE ENGINE	1		(MARKED FE290D-CS15) (SUB MIA10849)
..	MIA10770	GASOLINE ENGINE	1		(MARKED FE290D-DS15) (SUB MIA10849)
..	MIA10849	SHORT BLOCK ASSEMBLY	1		



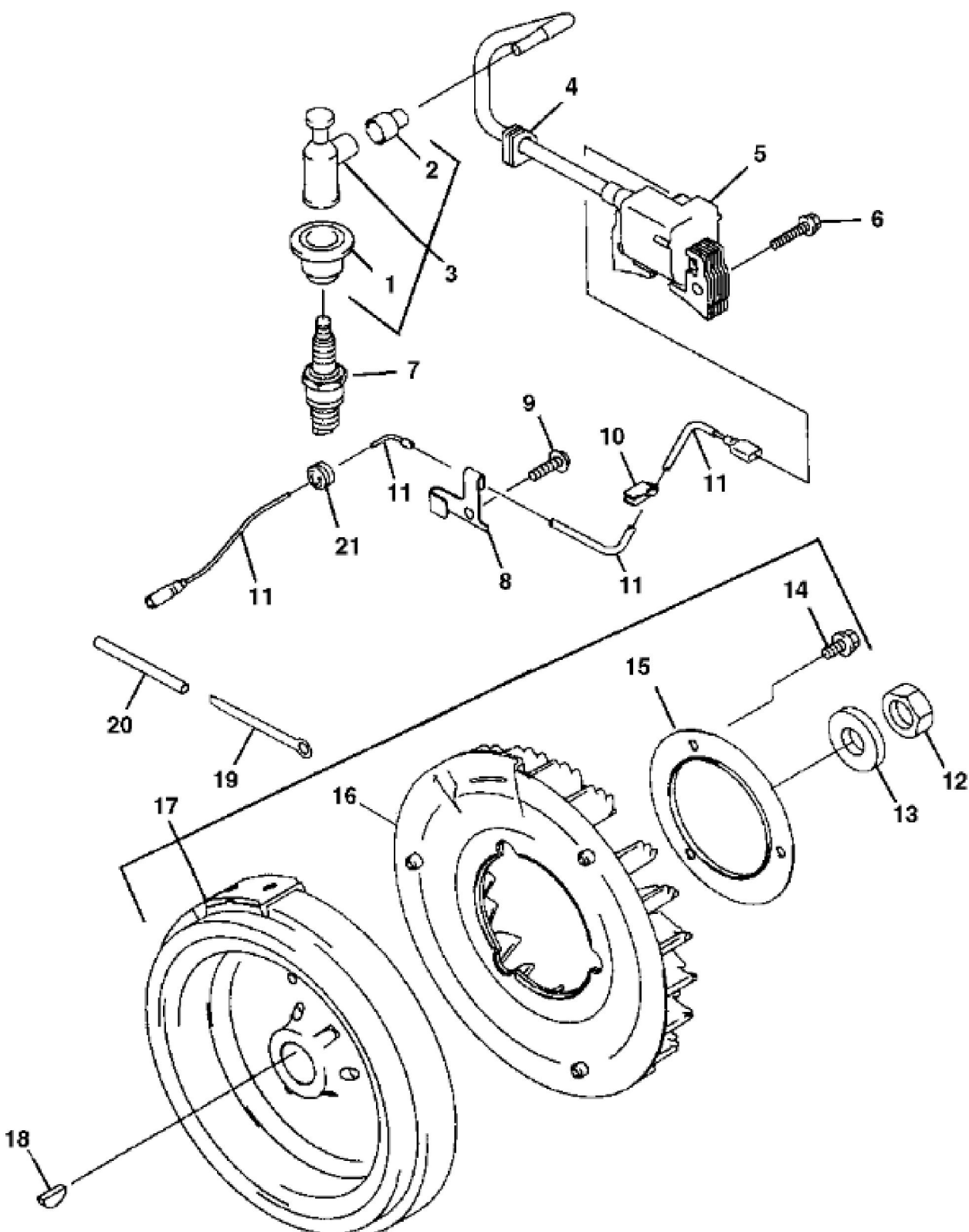
MP16487

KEY	PART NO.	PART NAME	QTY	REMARKS
1	AM102610	PISTON RING KIT	1	STD
1	AM102612	PISTON RING KIT	1	.50MM (.020") OS
2	M70220	WIRE	2	
3	MIU14328	PISTON	1	SUB FOR M119153; STD
3	M119174	PISTON	1	.50MM (.020") OS
4	M70226	SPACER	1	
5	AW26833	WEIGHT	1	
6	M70096	O-RING	1	
7	M70095	SHAFT	1	
8	M70097	NUT	4	
9	AM102616	KIT	1	SHIM
10	M119175	HELICAL GEAR	1	
11	M70222	SPUR GEAR	1	
12	AM107155	ROD	2	
13	M70265	BEARING	2	
14	M77843	SHAFT KEY	1	
15	AM119022	KIT	1	CRANKSHAFT
16	M147310	BOLT	2	SUB FOR PT12040
17	MIA10721	CONNECTING ROD	1	STD (SUB FOR PT18253)
17	MIA10722	CONNECTING ROD	1	.50MM (.020") US, (SUB FOR AW26861)
18	M70219	PISTON PIN	1	



MP23080

KEY	PART NO.	PART NAME	QTY	REMARKS
1	AM109394	KIT	1	(ORDER (2) M76091 AND (2) M76092)
2	M76091	SCREW	2	
3	M76092	NUT	2	
4	W40428	ARM	2	ROCKER
5	W40507	WASHER	1	
6	W40430	CLIP	1	
7	W40429	ROCKER ARM SHAFT	1	
8	AM109395	KIT	1	ROCKER ARM
9	M70212	ROD	2	
10	M70213	TAPPET	2	
11	.....	PIN FASTENER	2	
12	M70044	SPRING	1	
13	.....	CAM FOLLOWER	1	
14	AM119023	CAMSHAFT	1	(SUB FOR AM119036) (ALSO ORDER M70213)
15	M70033	SEAT	1	SPRING
16	M70034	SEAL	1	OIL
17	M70206	SPRING	1	
18	M72322	WIRE	1	SPRING
19	AM132412	RETAINER KIT	1	VALVE COLLET
20	W40427	EXHAUST VALVE	1	
21	AM109192	VALVE KIT	1	EXHAUST (SUB AM132412, M70033, M70034, M70206, M72322, W40427)
22	AM116041	VALVE KIT	1	INTAKE



MP16489

Thank you so much for reading.  
Please click the “Buy Now!”  
button below to download the  
complete manual.



After you pay.

You can download the most  
perfect and complete manual in  
the world immediately.

Our support email:

[ebooklibonline@outlook.com](mailto:ebooklibonline@outlook.com)