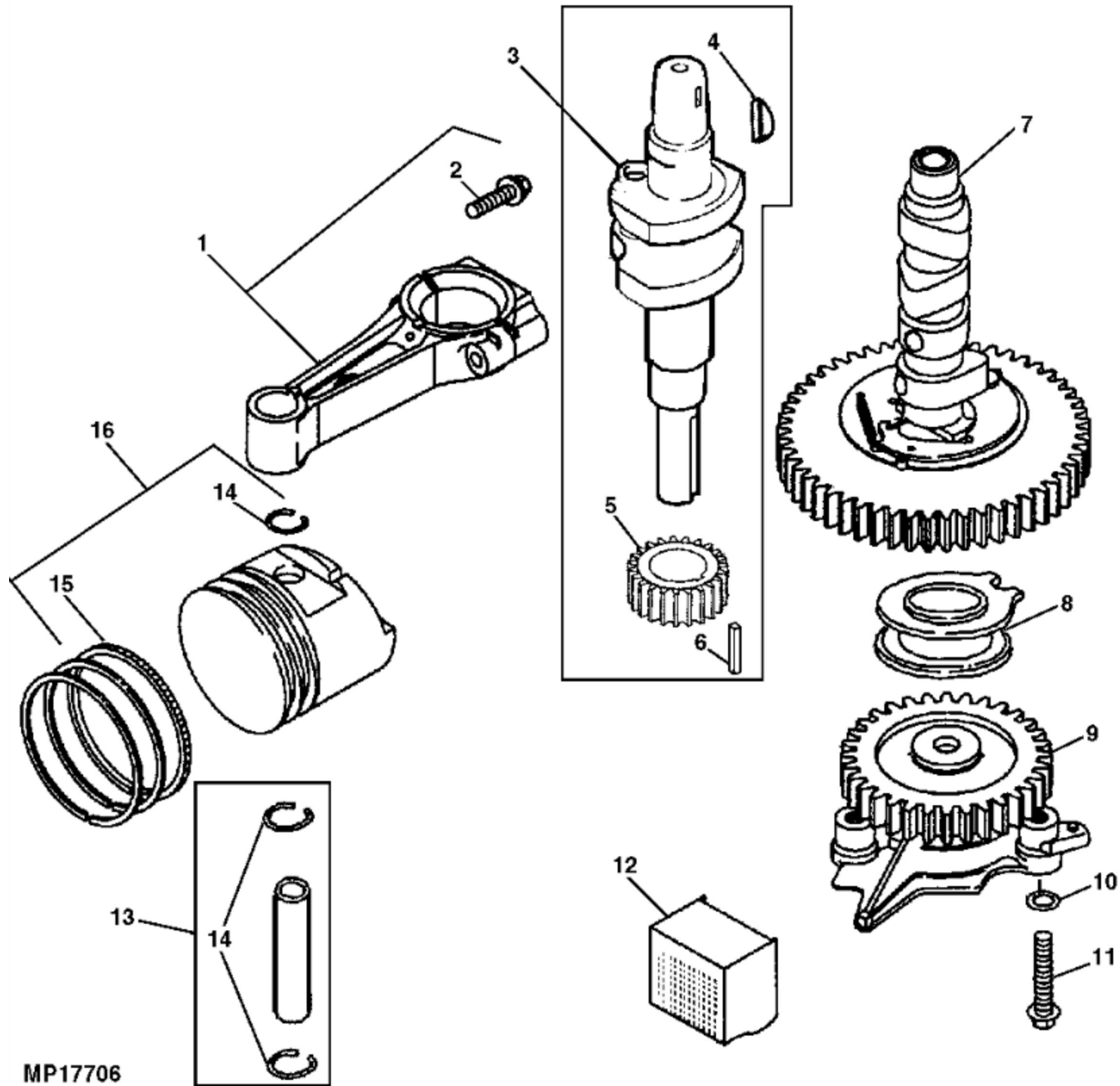


MP21834

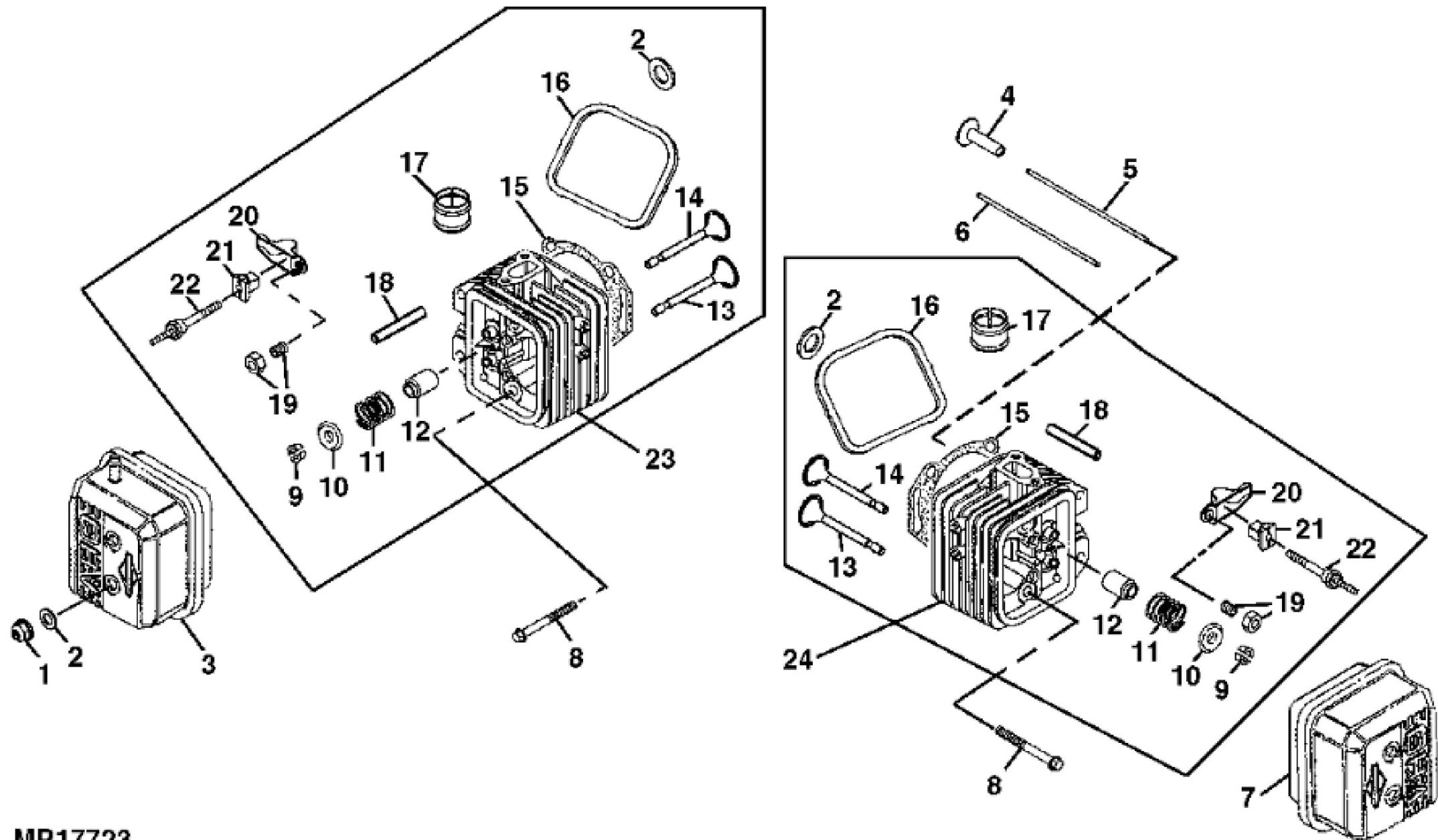
KEY	PART NO.	PART NAME	QTY	REMARKS
1	LG692543	CYLINDER BLOCK	1	NLA; (SUB FOR LG808439)
2	LG808534	BUSHING	1	
3	LG805101S	SEAL	1	(SUB FOR LG805101)
4	M145399	SLEEVE	1	DOWEL, (SUB FOR LG805103 OR LG690684)
5	LG805059	DRAIN PLUG	1	NLA; OIL (CYLINDER BLOCK) (ENGINE MARKED 3037771147E1)
6	15H623	DRAIN PLUG	1	OIL (PAN) (SUB FOR LG805048 OR LG690946)
7	AM125424	OIL FILTER	1	
8	LG808235	ADAPTER FITTING	1	(INCLUDES GASKET)
9	LG690706	LOCK WASHER	2	(SUB FOR LG805449)
10	LG690682	STUD	1	(SUB FOR LG805073)
11	LG690679	CAP SCREW	1	(SUB FOR LG805030)
12	LG692063	GASKET	1	(SUB FOR LG805250)
13	LG807688	GASKET	1	BREATHER
14	AM131315	BREATHER	1	(SUB FOR LG807795, LG692095 OR M143320)
15	LG690751	SCREW	1	(SUB FOR LG805751)
16	MIU11524	SCREW	9	(NLA) (SUB FOR LG692540) (ORDER 19M7269)
17	LG806083S	STRUCTURAL TUBE	1	BREATHER, (SUB FOR LG806083)
18	LG690686	PLATE	1	BREATHER, (SUB FOR LG805197)
19	LG691550	RETAINER	1	(SUB FOR LG806096)
20	LG690680	SEAL	1	(A), GOVERNOR, (SUB FOR LG805054)
21	LG690701	BUSHING	1	(A), GOVERNOR, (SUB FOR LG805412)
22	LG690702	BUSHING	1	GOVERNOR, (SUB FOR LG805413)
22	M144914	BUSHING	1	(A)
23	LG690899	CRANK	1	GOVERNOR, (SUB FOR LG807596)
23	AM131177	CRANK	1	(A)
24	LG805049S	SEAL	1	(A) (SUB FOR LG805049)
25	LG690704	WASHER	1	(A) (SUB FOR LG805416)
26	MIU12287	GASKET	1	NLA; ORDER MIU11265; (A); SUB FOR LG806190, LG691684 ; Crankcase
26	MIU11265	GASKET	1	NLA; ORDER MIU13345
26	MIU13345	GASKET	1	NLA; ORDER MIU14235
26	MIU14235	GASKET	1	
27	LG692154	SEAL	1	(A) (SUB FOR LG806191)

KEY	PART NO.	PART NAME	QTY	REMARKS
28	LG808504	RESERVOIR	1	ENGINE SUMP (ENGINE MARKED 3037771147E1) (SUB FOR LG807638)
28	MIA11613	CRANKCASE	1	ENGINE SUMP (INCLUDES PARTS MARKED (A)) (ENGINE MARKED 3037771162E1) (SUB FOR AM131176)
29	LG692053	SEAL	1	(SUB FOR LG805011)
30	LG270920	SEAL	1	
31	LG692093	STRUCTURAL TUBE	1	OIL FILL, (SUB FOR LG807501)
32	LG692537	CAP SCREW	2	(SUB FOR LG805317)
33	LG692101	DIPSTICK	1	(SUB FOR LG807985)
34	AM119686	DRAIN VALVE	1	
35	.....	BULK HOSE	1	(MAKE FROM TY22562)
..	LG808036	LABEL KIT	1	NLA
..	AM125685	GASOLINE ENGINE	1	(MARKED 3037771147E1) (SUB AM130705) (ALSO ORDER AM129702)
..	AM130705	GASOLINE ENGINE	1	NLA; (MARKED 3037771162E1)



MP17706

KEY	PART NO.	PART NAME	QTY	REMARKS
1	LG807900S	CONNECTING ROD	1	(STD) (SUB FOR LG807900)
1	LG807803	CONNECTING ROD	1	.50 MM (.020") US, (NLA)
2	LG690698	SCREW	2	(SUB FOR LG805395)
3	LG692159	CRANKSHAFT	1	NLA(SUB FOR LG808415)
4	M145150	SHAFT KEY	1	(SUB FOR LG806066)
5	LG691530	GEAR	1	TIMING, (SUB FOR LG805984)
6	LG691639	SHAFT KEY	1	
7	LG691557	GEAR	1	CAM, (SUB FOR LG807542)
8	LG690689	SPOOL	1	GOVERNOR, (SUB FOR LG805313)
9	LG693186	OIL PUMP	1	(ORDER MIA11613) (SUB FOR LG807546 OR LG690893)
9	MIA11613	RESERVOIR	1	ENGINE BASE SUMP (NOT SHOWN)
10	LG690681	SEAL	2	
11	LG691492	CAP SCREW	2	(SUB FOR LG805057)
12	LG690878	SCREEN	1	OIL PUMP
13	LG807621	PISTON PIN	1	
14	LG690975	LOCK	2	(SUB FOR LG805099 OR LG690683)
15	MIU12297	RING	1	(STD) (SUB FOR LG807620)
15	LG807810	PISTON RING KIT	1	NLA; ORDER MIA12641; .50 MM (.020") OS
15	MIA12641	PISTON KIT	1	
16	MIA11530	PISTON	1	(STD) (SUB FOR LG807619 OR LG807620)
16	LG807809	PISTON	1	NLA; ORDER MIA12641; .50 MM (.020") OS



MP17723

Thank you so much for reading.  
Please click the “Buy Now!”  
button below to download the  
complete manual.



After you pay.

You can download the most  
perfect and complete manual in  
the world immediately.

Our support email:

[ebooklibonline@outlook.com](mailto:ebooklibonline@outlook.com)