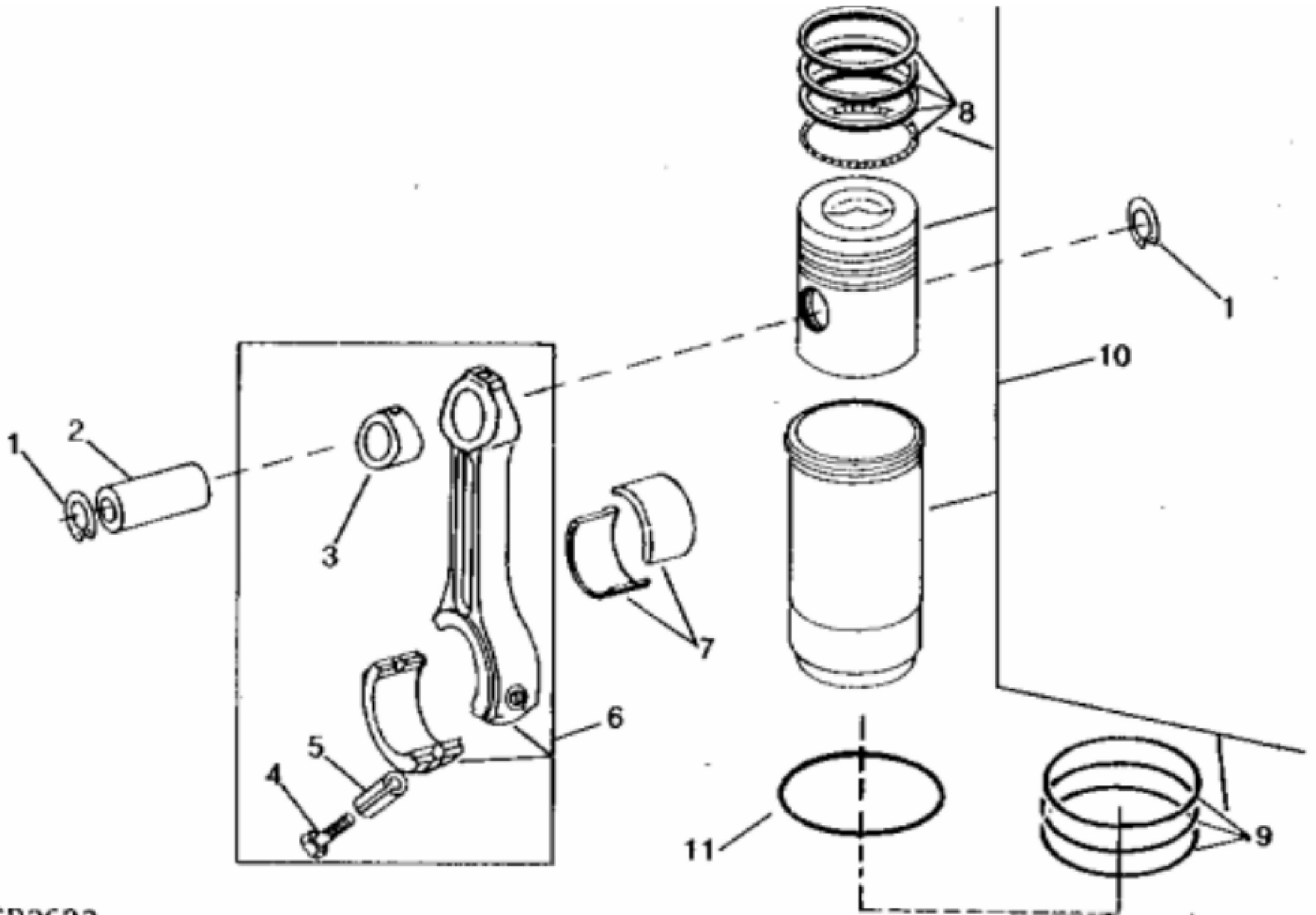


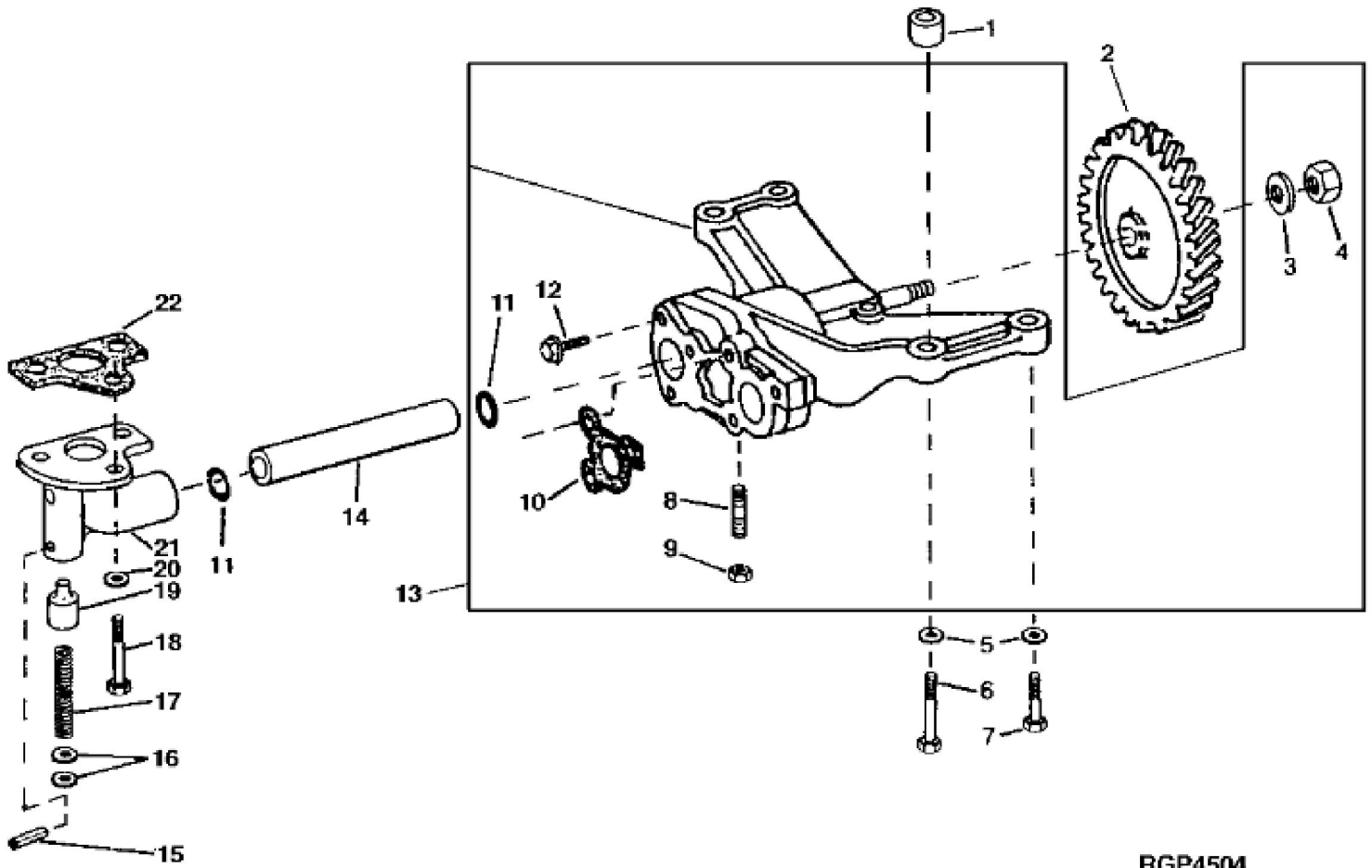
John Deere > Construction And Forestry > EXCAVATOR > 450LC - EXCAVATOR > 450LC Excavator > 04 ENGINE 6101AT010 > 0402 CAMSHAFT AND VALVE ACTUATING MEANS 6101AT010 6101AT010
 > ST265204 - ROCKER ARM COVER

KEY	PART NO.	PART NAME	QTY	REMARKS
1	19M7803	SCREW	3	M8 X 70, (SUB FOR CH19100 OR AT211859)
2	RE71265	ISOLATOR	3	
3	R120467	ELBOW FITTING	1	
4	TY22467	CLAMP	1	
5	TY22450	BULK HOSE	AR	
6	R72328	O-RING	1	(NLR)
7	R116843	VALVE COVER	1	
8	R63185	O-RING	1	
9	RE66329	DEFLECTOR	1	
10	R505677	GASKET	1	(SUB FOR R130738)
11	R130091	SCREW	2	M6 X 12
12	R501292	GROMMET	2	(SUB FOR R127451)
13	R132985	MEDALLION	1	



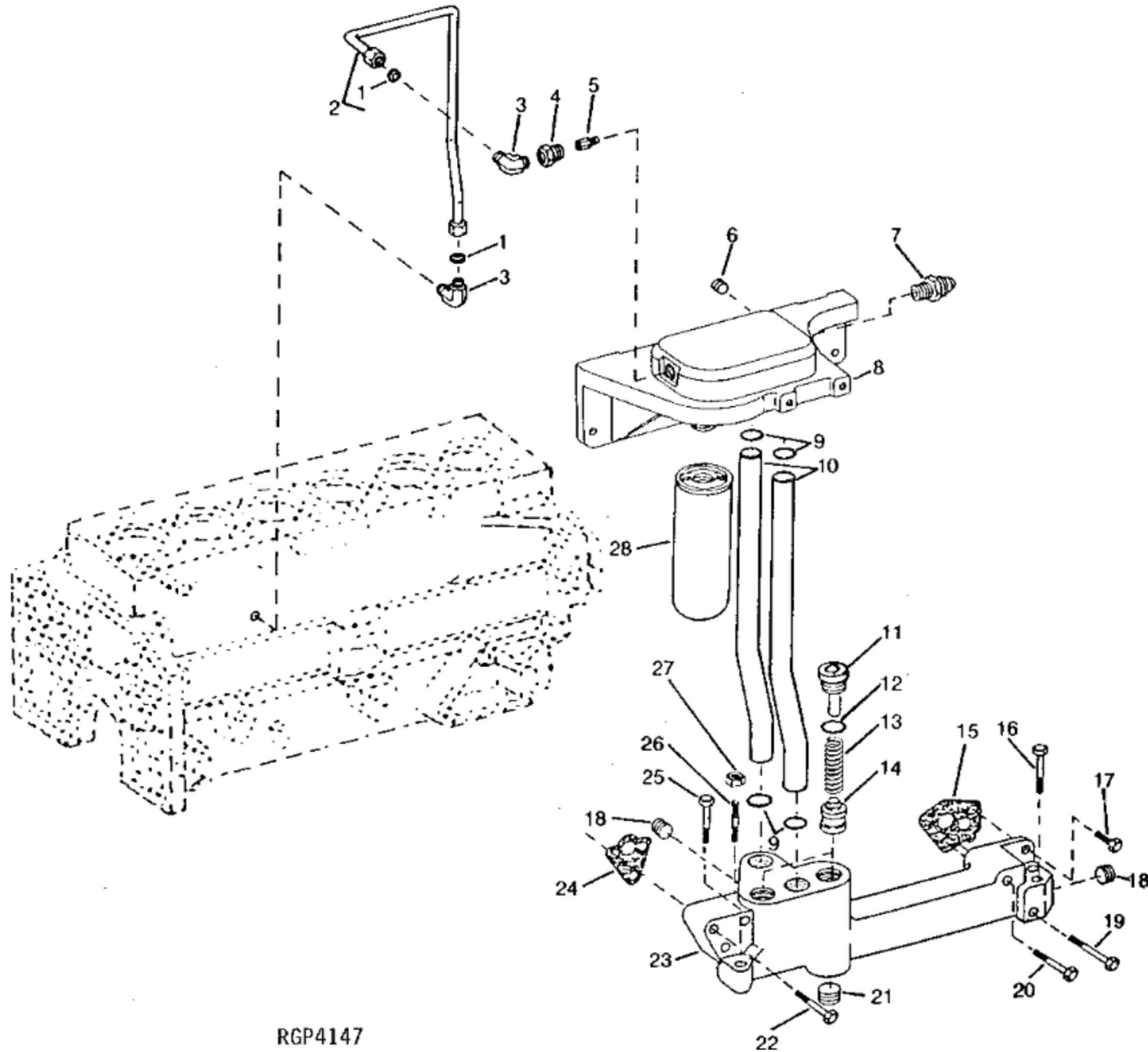
John Deere > Construction And Forestry > EXCAVATOR > 450LC - EXCAVATOR > 450LC Excavator > 04 ENGINE 6101AT010 > 0403 CONNECTING RODS AND PISTONS 6101AT010 6101AT010 > ST265206 - PISTON, RINGS, LINERS AND CONNECTING RODS

KEY	PART NO.	PART NAME	QTY	REMARKS
1	N51168	SNAP RING	12	
2	R64451	PISTON PIN	6	
3	R69045	BUSHING	6	
4	R66453	CAP SCREW	12	
5	R48317	SLEEVE	12	
6	AR79366	CONNECTING ROD	6	NLA (ORDER SE500499)
6	SE500499	CONNECTING ROD REMAN	6	(REMAN FOR AR79366)
7	AR101271	BEARING	AR	(STD) (PKG OF (2) R74671)
7	AR104129	BEARING	AR	0.05 mm (.002 in.), (US) (PKG OF (2) R76649)
7	AR104130	BEARING	AR	0.25 mm (.010 in.), (US) (PKG OF (2) R76650)
7	AR104131	BEARING	AR	0.50 mm (.020 in.), (US) (PKG OF (2) R76651)
7	AR104132	BEARING	AR	0.75 mm (.030 in.), (US) (PKG OF (2) R76652)
8	AR82355	PISTON RING KIT	1	
9	AR72351	O-RING KIT	6	
10	RE53215	PISTON-LINER KIT	6	(PISTON MARKED) RE57949 AND WHITE DOT) (LINER MARKED E)
11	R81276	SHIM	AR	0.05 mm
11	R81277	SHIM	AR	0.10 mm



RGP4504

KEY	PART NO.	PART NAME	QTY	REMARKS
1	R500642	BUSHING	2	(SUB FOR R62930, THIS APPLICATION)
2	R62938	GEAR	1	
3	T21242	WASHER	1	
4	14H826	NUT	1	1/2"
5	R57696	WASHER	4	
6	19H2549	CAP SCREW	2	3/8" X 1-7/8"
7	19H3219	CAP SCREW	2	3/8" X 1-3/8"
8	22H1040	SET SCREW	1	5/16" X 1-1/4"
9	14H785	NUT	1	5/16"
10	R100569	GASKET	1	
11	R71732	O-RING	2	
12	R104628	SCREW	2	
12	R104628	SCREW	3	(OIL PUMP INTAKE TO COVER)
13	RE507076	OIL PUMP	1	NLA (MARKED R504028) (ORDER SE500877)
13	SE500877	OIL PUMP REMAN	1	(REMAN FOR RE507076)
13	RE60622	OIL PUMP	1	NLA (MARKED R124328 OR R62946) (SUB FOR RE44118) (ORDER SE501063)
13	SE501063	OIL PUMP REMAN	1	(REMAN FOR RE60622 OR RE44118)
14	R62947	TUBE	1	
15	34H283	SPRING PIN	1	3/16" X 1-1/8"
16	24H1287	WASHER	3	9/32" X 5/8" X 0.065"
17	T31636	SPRING	1	
18	19H3483	CAP SCREW	3	3/8" X 1-1/8"
19	R63532	VALVE	1	
20	24M7239	WASHER	3	10.700 X 21 X 2.500 mm, (SUB FOR M72490)
21	R82177	HOUSING	1	
22	R520576	GASKET	1	(SUB FOR R69418)



RGP4147

Thank you so much for reading.
Please click the “Buy Now!”
button below to download the
complete manual.



After you pay.

You can download the most
perfect and complete manual in
the world immediately.

Our support email:

ebooklibonline@outlook.com