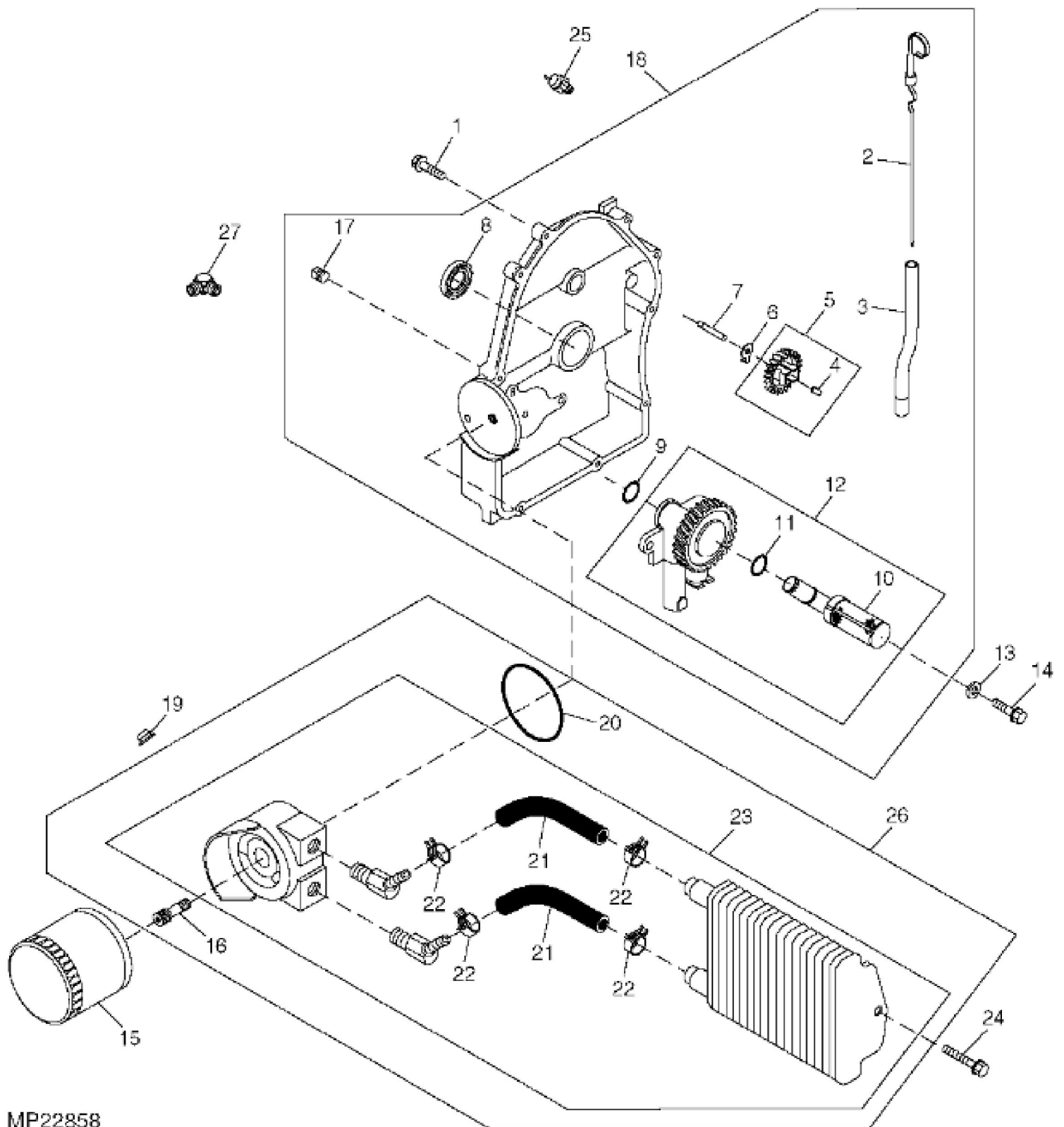


MP17408

KEY	PART NO.	PART NAME	QTY	REMARKS
1	M76215	PLUG	1	
2	R30298	PIPE PLUG	2	
3	MIU11539	SEAL	1	W/6 MM, GOVERNOR CROSS SHAFT, (SUB FOR M132338)
4	MIU11251	DOWEL PIN	6	W/6 MM, GOVERNOR CROSS SHAFT, (SUB FOR M132339 OR M144516)
5	MIU12971	CONNECTING ROD	2	ORDER MIU13923; STD; SUB FOR M134452 OR MIU11256
5	MIU13923	CONNECTING ROD	2	ORDER MIA12812
5	MIA12812	CONNECTING ROD	1	
5	MIA11130	CONNECTING ROD	2	.25 MM (.010") US, (SUB FOR M134453 OR MIA10907)
6	AM124978	PISTON RING KIT	2	STD
6	AM131084	PISTON RING KIT	2	0.50 MM OS, NLA; USE WITH AM124977; SUB FOR AM124979
6	MIA11667	PISTON RING KIT	2	0.50 MM OS, (SUB FOR MIA11087)
7	M132341	RETAINER	4	
8	MIA11131	PISTON RING KIT	2	STD (SUB FOR AM124976 OR AM131307) (SUB MIA11652)
8	MIA11086	PISTON RING KIT	2	0.50 MM, (SUB FOR AM124977) (SUB MIA11667)
8	MIA11652	PISTON RING KIT	2	(INCLUDES (2) M132341)
9	M118585	SHIM	AR	(RED)
9	M118584	SHIM	AR	(BLACK)
9	M93955	SOLID SHIM	AR	(WHITE)
9	M97015	SOLID SHIM	AR	(BLUE)
9	M96817	SOLID SHIM	AR	(YELLOW)
9	M96818	SOLID SHIM	AR	(GREEN)
9	M96819	SOLID SHIM	AR	(GRAY)
10	M137492	CAMSHAFT	1	
11	M92080	PIN	1	W/6 MM, GOVERNOR CROSS SHAFT
12	M93418	WASHER	1	W/6 MM, GOVERNOR CROSS SHAFT
13	M92079	SEAL	1	W/6 MM, GOVERNOR CROSS SHAFT
14	M96520	WASHER	1	W/6 MM, GOVERNOR CROSS SHAFT
15	M132343	SHAFT	1	W/6 MM, GOVERNOR CROSS SHAFT
16	AM124975	CYLINDER BLOCK	1	(REFER TO SERVICE INFORMATION BULLETIN 00-11-65-4) W/6 MM, GOVERNOR CROSS SHAFT, (SUB AM131153)
17	MIA11971	CRANKSHAFT	1	SUB FOR AM125384 OR AM129624
18	19M7805	SCREW	4	M10 X 45

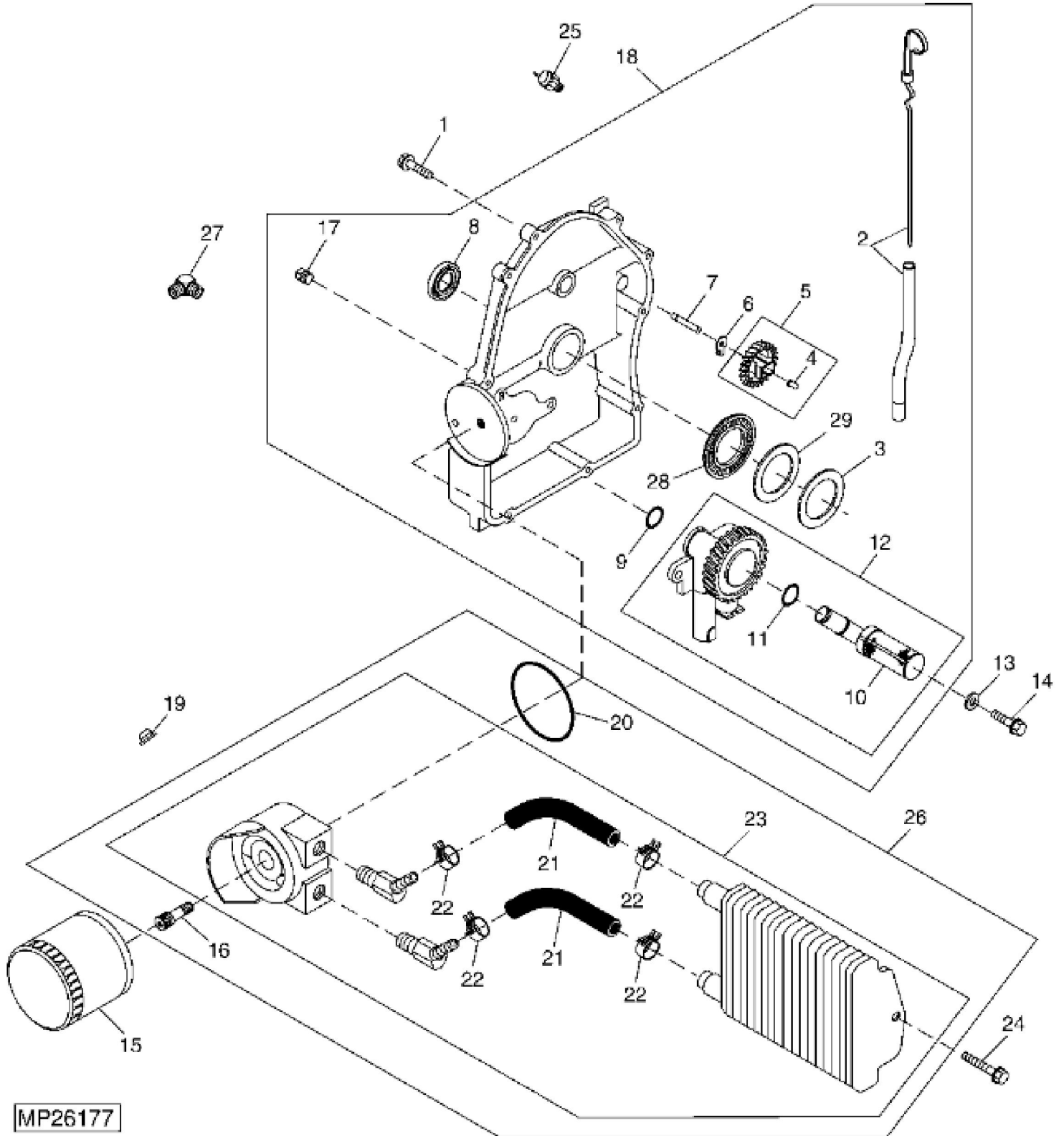
KEY	PART NO.	PART NAME	QTY	REMARKS	
19	AM125712	BRACKET	2	ENGINE MOUNT	
20	M133907	EXTENSION	1		
21	M48867	PIPE PLUG	1		
..	AM117019	GEAR KIT	1	GEAR	
..	AM125162	SHORT ENGINE	1	(REFER TO SERVICE INFORMATION BULLETIN 00-11-65-4) ORDER MIA11092)	



MP22858

KEY	PART NO.	PART NAME	QTY	REMARKS
1	M131238	SCREW	9	(USE WITH AM125162) ORDER 19M8318
1	M131239	SCREW	1	(USE WITH AM125162) ORDER 19M8318
1	19M8318	SCREW	10	M8 X 45
2	DIPSTICK	1	(USE WITH AM125162) (ORDER AM131427)
3	DIPSTICK TUBE	1	(USE WITH AM125162) (ORDER AM131427)
4	PIN FASTENER	1	(USE WITH AM125162) (ORDER AM124981)
5	AM124981	GEAR KIT	1	(USE WITH AM125162) GOVERNOR GEAR W/PIN
6	M150547	RETAINER	1	(USE WITH AM125162) (SUB FOR ET13880)
7	M92081	SHAFT	1	(USE WITH AM125162)
8	MIU11541	SEAL	1	(USE WITH AM125162) (SUB FOR M84340)
9	M132346	O-RING	1	(USE WITH AM125162)
10	M132348	OIL PUMP	1	(USE WITH AM125162) USE WITH MIA10792
10	M149835	TUBE	1	
11	M132347	O-RING	1	(USE WITH AM125162)
12	MIA10792	OIL PUMP	1	(USE WITH AM125162) NLA; ORDER MIA12269; SUB FOR AM124982; INCLUDES M132348
12	MIA12269	OIL PUMP	1	
13	24M7088	WASHER	1	(USE WITH AM125162) 6.600 X 12 X 1.600 mm
14	37M7091	SCREW	2	(USE WITH AM125162) M6 X 25
15	AM125424	OIL FILTER	1	(USE WITH AM125162) (SUB FOR AM119567)
16	M138269	THREADED NIPPLE	1	(USE WITH AM125162) (SUB FOR M137494)
17	15H558	PIPE PLUG	2	(USE WITH AM125162) 1/8"
18	AM124980	PLATE KIT	1	(USE WITH AM125162) CLOSURE PLATE
19	M132383	NUT	2	(USE WITH AM125162)
20	M133063	O-RING	1	(USE WITH AM125162) (SUB FOR M137493)
21	TY22552	BULK HOSE	2	(USE WITH AM125162) (SUB FOR M133061)
22	MIU13201	CLAMP	4	(USE WITH AM125162) NLA; ORDER TY22462; (SUB FOR M133060 OR M146556)
22	TY22462	CLAMP	4	
23	AM125401	OIL COOLER	1	(USE WITH AM125162) (SUB FOR AM127448)
24	M133058	CAP SCREW	2	(USE WITH AM125162)
25	MIU11250	PRESSURE SWITCH	1	(USE WITH AM125162) (SUB FOR M134904)
26	AM128663	KIT	1	(USE WITH AM125162) OIL COOLER (SUB FOR AM125529)
27	M43285	ELBOW FITTING	1	(USE WITH AM125162) (SUB FOR M141730)

KEY	PART NO.	PART NAME	QTY	REMARKS	
..	M134909	LABEL	1	(USE WITH AM125162) OIL SENTRY	
..	M133065	LABEL	1	(USE WITH AM125162) OIL COOLER	
..	AM131427	DIPSTICK	1	(USE WITH AM125162)	
98	AM117019	GEAR KIT	1	(USE WITH AM125162) NLA	



MP26177

Thank you so much for reading.
Please click the “Buy Now!”
button below to download the
complete manual.



After you pay.

You can download the most
perfect and complete manual in
the world immediately.

Our support email:

ebooklibonline@outlook.com