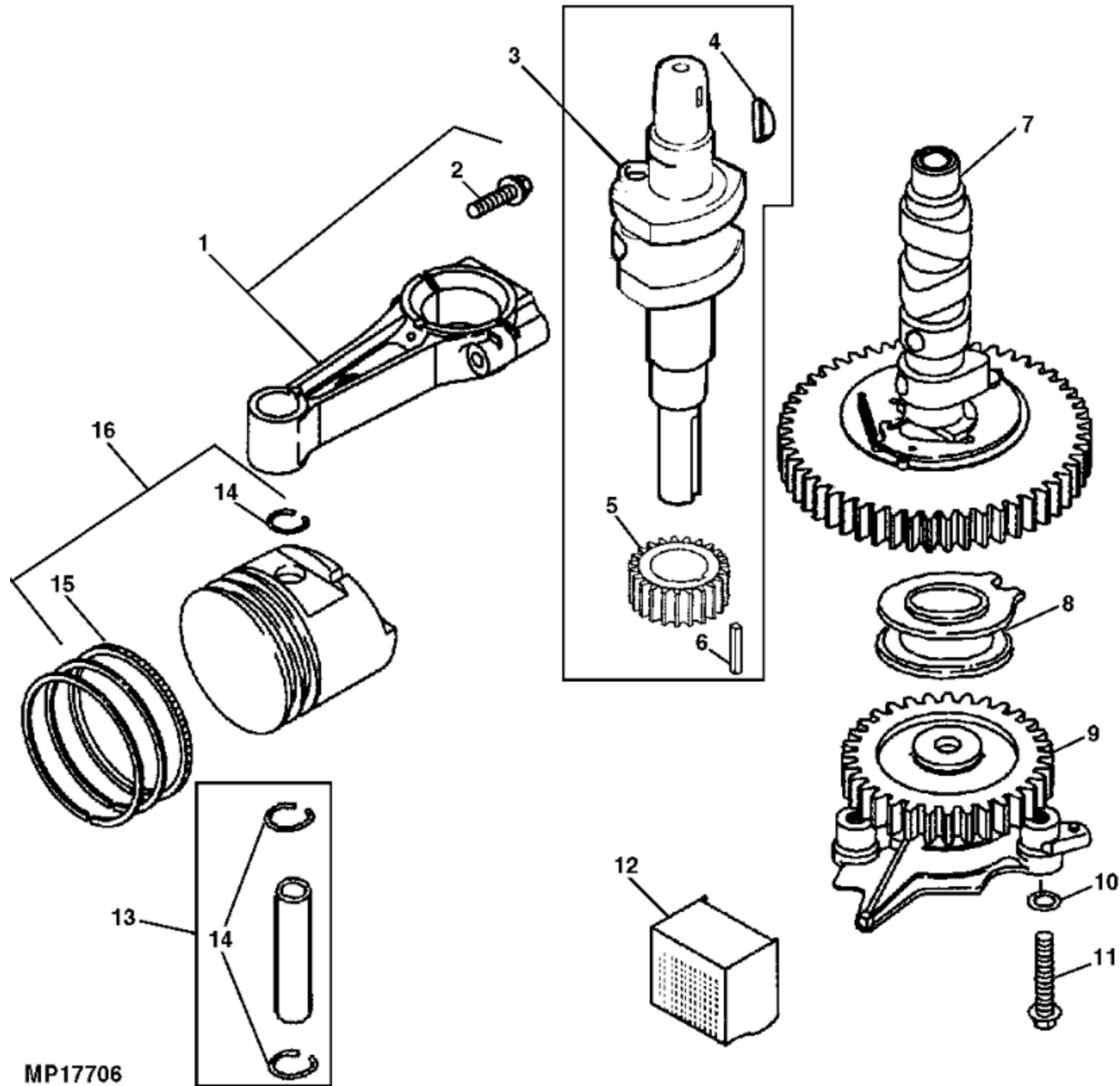


MP17863

John Deere > Turf And Utility >TRACTOR, LAWN AND GARDEN >SABRE - TRACTOR, LAWN AND GARDEN >SABRE 1842GV, 1842HV, 1848GV and 1848HV Yard Tractors >20 ENGINE >ST579635 -
CYLINDER BLOCK AND DIPSTICK

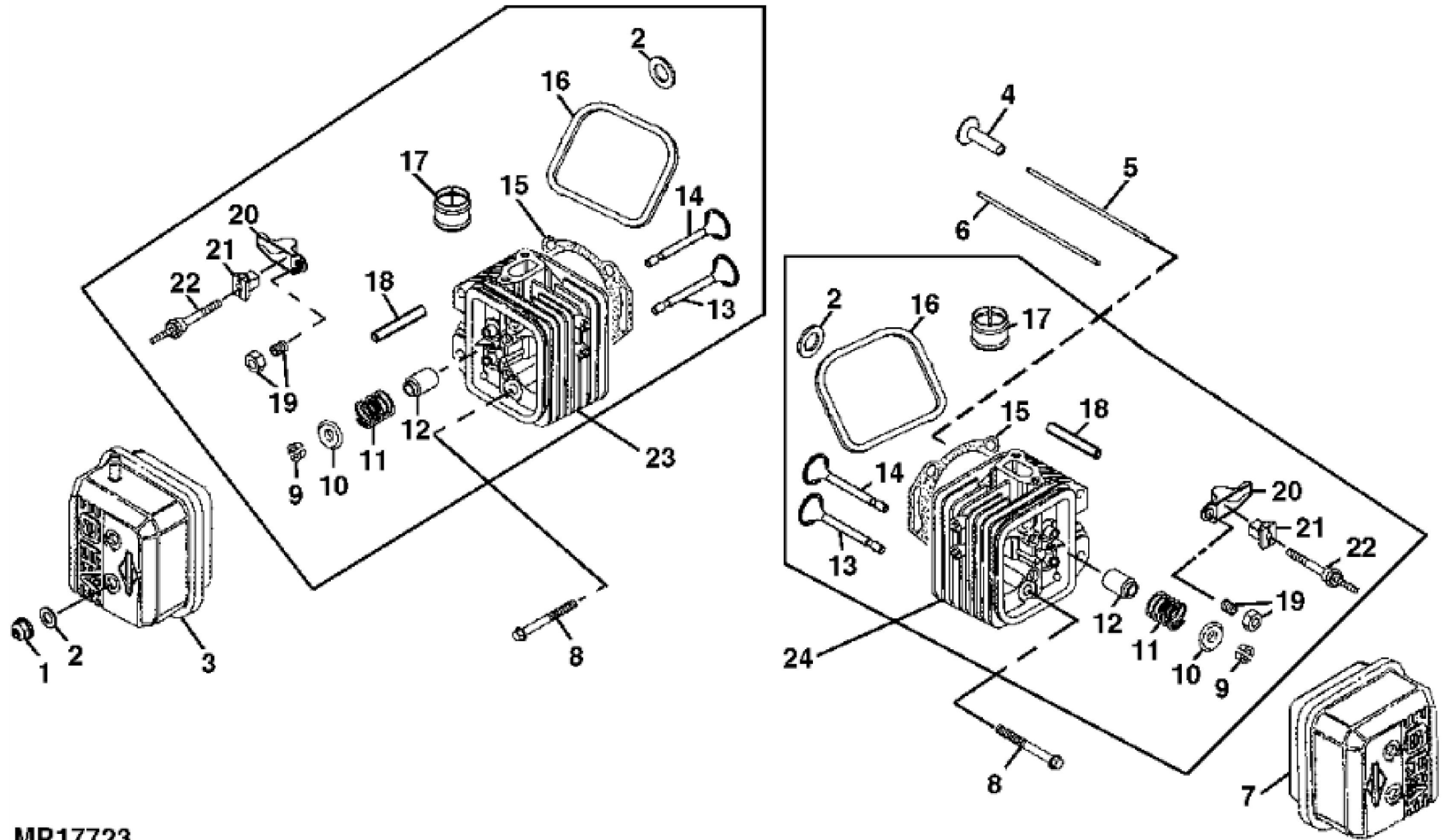
KEY	PART NO.	PART NAME	QTY	REMARKS
1	LG692545	CYLINDER BLOCK	1	(SUB FOR LG808442)
2	LG808534	BUSHING	1	W/SEAL
3	LG805101S	SEAL	1	(SUB FOR LG805101)
4	LG805103	SLEEVE	1	DOWEL
5	15H638	PIPE PLUG	1	1/8", OIL (CYLINDER BLOCK)
6	15H623	DRAIN PLUG	3	3/8", (A) OIL (PAN) (SUB FOR LG805048 OR LG690946)
7	AM125424	OIL FILTER	1	
8	LG808235	ADAPTER FITTING	1	
9	LG805449	LOCK WASHER	1	
10	LG805073	STUD	1	
11	LG805030	SCREW	1	
12	LG692063	GASKET	1	(SUB FOR LG805250)
13	LG807688	GASKET	1	BREATHER
14	LG692095	BREATHER	1	(SUB FOR LG807795)
15	LG805751	SCREW	1	
16	LG805696	SCREW	1	
17	19M7897	SCREW	4	M8 X 35
18	LG806083S	STRUCTURAL TUBE	1	BREATHER, (SUB FOR LG806083)
19	LG690686	PLATE	1	BREATHER, (SUB FOR LG805197)
20	LG691550	RETAINER	1	(A) (SUB FOR LG806096)
21	LG690680	SEAL	1	(A) GOVERNOR, (SUB FOR LG805054)
22	LG690701	BUSHING	1	(A) GOVERNOR, (SUB FOR LG805412)
23	LG690702	BUSHING	1	GOVERNOR, (SUB FOR LG805413)
23	M144914	BUSHING	1	
24	LG690899	CRANK	1	GOVERNOR, (SUB FOR LG807596)
24	AM131177	CRANK	1	(A) (USE WITH MIA11613) (INCLUDES M144914)
25	14M7298	FLANGE NUT	4	M8
26	LG805049S	SEAL	2	(A) (SUB FOR LG805049)
27	LG690704	WASHER	1	(A) (SUB FOR LG805416)
28	MIU12287	GASKET	1	NLA; ORDER MIU11265; SUB FOR LG806190 OR LG691684; Crankcase
28	MIU11265	GASKET	1	NLA; ORDER MIU13345
28	MIU13345	GASKET	1	NLA; ORDER MIU14235
28	MIU14235	GASKET	1	

KEY	PART NO.	PART NAME	QTY	REMARKS
29	LG692154	SEAL	1	(A) (SUB FOR LG806191)
30	LG808504	RESERVOIR	1	ENGINE SUMP, (SUB FOR LG807638)
30	MIA11613	CRANKCASE	1	(INCLUDES PARTS MARKED (A)) (ALSO INCLUDES (2) LG690681 AND 19M7077 AND (2) 19M7299)
31	M132015	THREADED NIPPLE	1	
32	M126875	CAP	1	OIL DRAIN
33	LG692053	SEAL	1	
34	LG270920	SEAL	1	
35	LG807501	TUBE	1	OIL FILL
36	M147829	SCREW	2	(SUB FOR LG805317 OR LG692537)
37	LG692101	DIPSTICK	1	(SUB FOR LG807516)
..	LG808036	LABEL KIT	1	NLA
..	AM125686	GASOLINE ENGINE	1	(COMPLETE) (SUB AM130456)
..	AM130456	SHORT BLOCK ASSEMBLY	1	



CRANKSHAFT AND PISTON

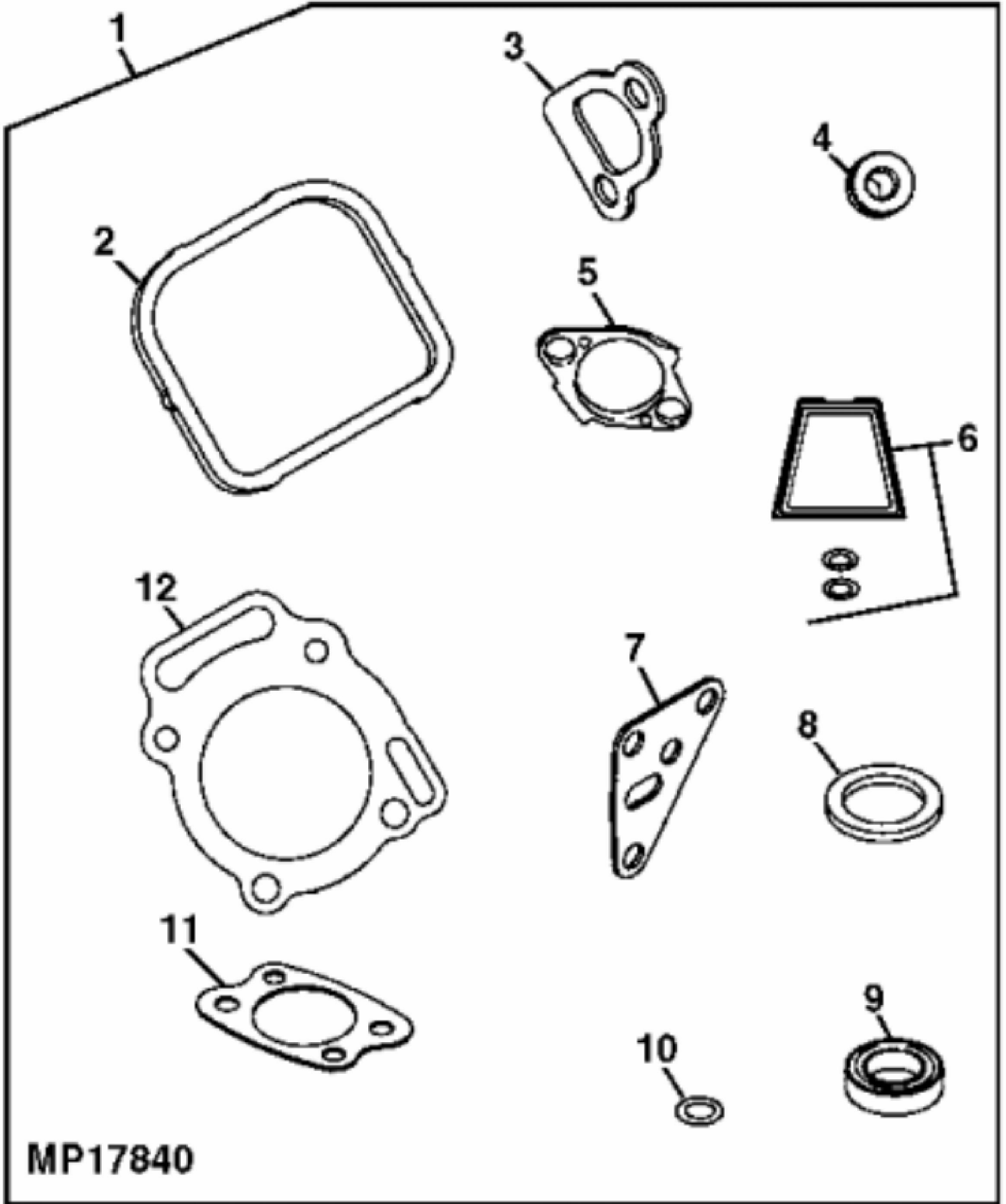
KEY	PART NO.	PART NAME	QTY	REMARKS
1	LG807900S	CONNECTING ROD	2	STD, (SUB FOR LG807900)
1	LG807803	CONNECTING ROD	2	.50MM (.020") US, (NLA)
2	LG690698	SCREW	4	(SUB FOR LG805395)
3	MIU11092	CRANKSHAFT	1	(COMPLETE) (SUB FOR LG692172)
4	M145150	SHAFT KEY	1	(SUB FOR LG806066)
5	LG691530	GEAR	1	TIMING, (SUB FOR LG805984)
6	LG691639	KEY	1	TIMING GEAR, (SUB FOR LG94196)
7	LG691557	GEAR	1	CAM, (SUB FOR LG807542)
8	LG690689	SPOOL	1	GOVERNOR, (SUB FOR LG805313)
9	LG693186	OIL PUMP	1	(SUB FOR LG807546) (ORDER MIA11613)
10	LG690681	SEAL	2	(SUB FOR LG805058)
11	LG691492	CAP SCREW	2	(SUB FOR LG805057)
12	LG690878	SCREEN	1	OIL PUMP, (SUB FOR LG805964)
13	LG807886	PISTON PIN	2	
14	LG805099	LOCK	4	PISTON PIN (NLA)
14	LG690975	LOCK	4	PISTON PIN
15	LG807889	PISTON RING KIT	2	STD, (SUB (2) MIU12116)
15	MIU12116	PISTON RING KIT	2	
15	MIU12117	PISTON RING KIT	2	.50MM (.020") OS, (SUB FOR (2) LG807995)
16	LG807888	PISTON	2	(NLA) STD
16	MIA11407	PISTON	2	.50MM (.020") OS, (SUB FOR (2) LG807992 OR (2) LG808337)
17	19M7077	CAP SCREW	1	(Not Illustrated) M6 X 20, SUB FOR MIU12481
18	19M7299	CAP SCREW	1	(Not Illustrated) M6 X 45, SUB FOR MIU12482



MP17723

CYLINDER HEAD

KEY	PART NO.	PART NAME	QTY	REMARKS
1	LG692055	LOCK NUT	4	(SUB FOR LG805019)
2	LG691766	WASHER	4	(SUB FOR LG805420)
3	LG691558	COVER	1	(SUB FOR LG807665)
4	LG690977	TAPPET	4	VALVE, (SUB FOR LG262679)
5	LG691836	PUSH ROD	2	INTAKE (STEEL) (SUB FOR LG805352)
6	LG691758	PUSH ROD	2	EXHAUST (ALUMINUM) (SUB FOR LG805617)
7	LG691494	COVER	1	(W/FUEL PUMP VACUUM HOSE FITTING) (SUB FOR LG805100)
8	LG692059	CAP SCREW	4	(SUB FOR LG805097)
9	LG807683	RETAINER	4	VALVE
10	LG692058	RETAINER	4	VALVE, (SUB FOR LG805092)
11	LG692084	SPRING	4	VALVE, (SUB FOR LG805937)
12	LG691963	SEAL	4	VALVE
13	LG807681	EXHAUST VALVE	2	
14	LG807680	INTAKE VALVE	2	
15	UC10273	GASKET	1	SUB FOR LG690888
16	LG806039S	GASKET	2	ROCKER COVER, (SUB FOR LG805039)
17	LG805083	CYLINDER LINER	2	PORT
18	LG692057	GUIDE	4	VALVE, (SUB FOR LG692057)
19	LG807623	ADJUSTER	4	(W/NUT)
20	LG691543	ROCKER ARM	4	(SUB FOR LG806036)
21	MIU11035	ROCKER ARM	4	PIVOT, (SUB FOR LG806038 OR LG690973)
22	LG691544	STUD	4	ROCKER ARM, (SUB FOR LG806037)
23	LG808383	CYLINDER HEAD	1	RH
24	LG808384	CYLINDER HEAD	1	LH, (SUB FOR LG807384)



Thank you so much for reading.
Please click the “Buy Now!”
button below to download the
complete manual.



After you pay.

You can download the most
perfect and complete manual in
the world immediately.

Our support email:

ebooklibonline@outlook.com