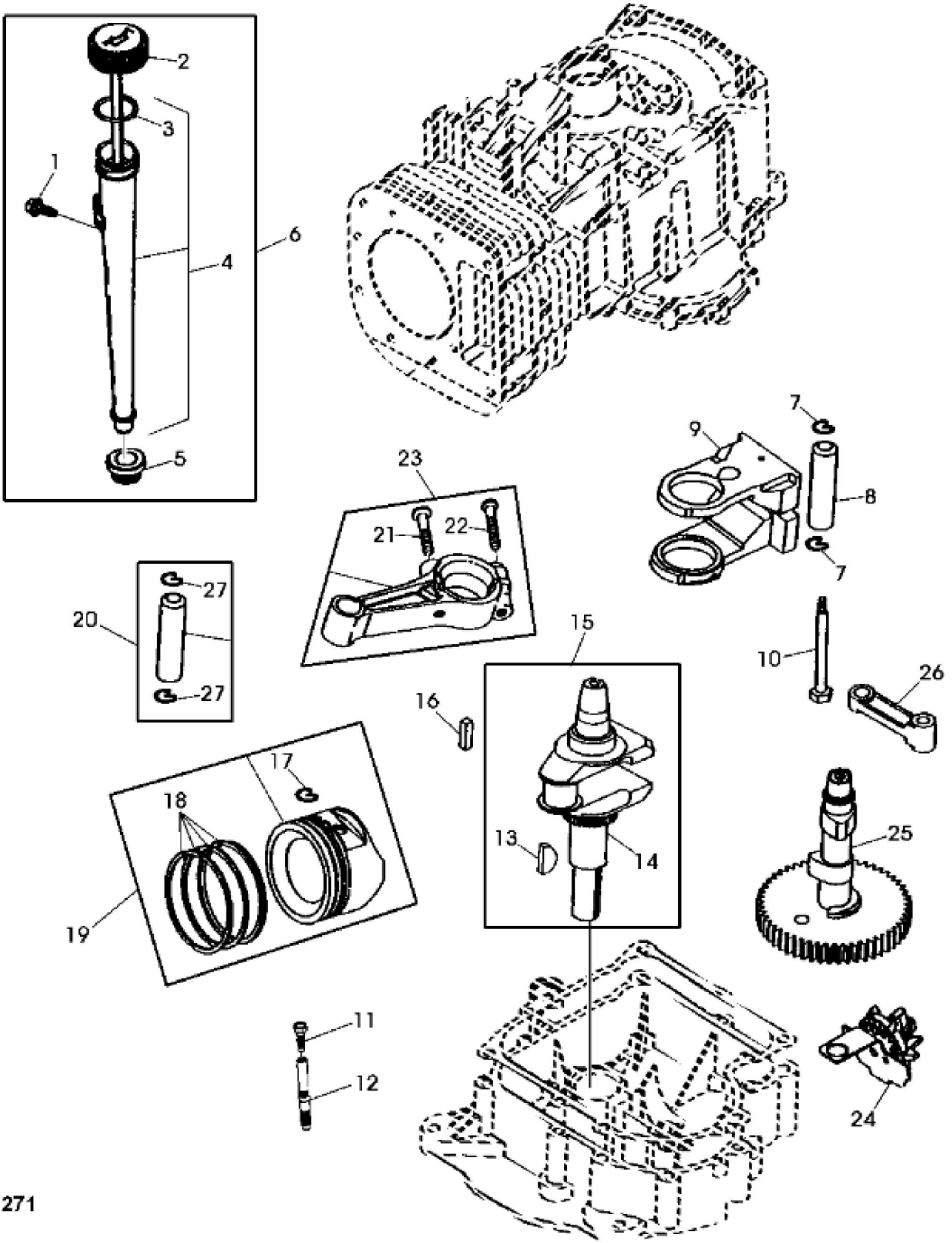


MP18426

KEY	PART NO.	PART NAME	QTY	REMARKS
1	LG94821	SCREW	4	
2	LG691500	BUSHING	4	(SUB FOR LG805402)
3	LG494439	SCREEN	1	
4	LG691058	BOLT	2	(SUB FOR LG94627)
5	LG690452	RETAINER	1	(SUB FOR LG224413)
6	M145401	FAN	1	NLA(SUB FOR LG281400 AND LG691927)
7	LG225136	WASHER	3	
8	LG693557	FLYWHEEL	1	(SUB FOR LG690222 OR LG492326)
9	AM133624	RING GEAR	1	(SUB FOR LG399676) (INCLUDES (4) LG691265, (4) LG693109 AND (4) LG693148)
10	LG496412	CRANKCASE	1	NLA
11	LG391086S	SEAL	1	(SUB FOR LG391086)
12	LG399265	BEARING	1	NLA; ORDER MIA11778
12	MIA11778	SEAL KIT	1	
13	LG491986	BUSHING KIT	1	NLA; Governor Shaft Bushing
14	LG692407	SEAL	1	(SUB FOR LG491323)
15	LG690959	DOWEL PIN	2	(SUB FOR LG230192)
16	LG691328	TUBE	1	(SUB FOR LG281246)
17	LG691666	CAP SCREW	2	(SUB FOR LG94621)
18	LG495735	BREATHER	1	
19	LG27803S	GASKET	1	(SUB FOR LG27803)
20	LG93758	SCREW	1	OIL PUMP SCREEN
21	LG225076	SCREEN	1	OIL PUMP
22	15H623	DRAIN PLUG	1	3/8", (SUB FOR LG94239 AND LG690946)
23	LG692125	CAP SCREW	10	(SUB FOR LG94624)
24	LG496742	RESERVOIR	1	
25	LG291675S	SEAL	1	(SUB FOR LG291675)
26	LG692226	GASKET	1	.38 MM (.015"), (SUB FOR LG271916)
26	LG692406	GASKET	1	.13 MM (.005"), (SUB FOR LG271997)
26	LG692405	GASKET	1	.23 MM (.009"), (SUB FOR LG271996)
27	LG231931	TUBE	1	OIL PUMP
28	AM119686	DRAIN VALVE	1	
29	TY22562	BULK HOSE	AR	7.62M (25 FT.), ROLL
30	19M7897	SCREW	4	M8 X 35, ENGINE MOUNTING

KEY	PART NO.	PART NAME	QTY	REMARKS	
31	14M7298	FLANGE NUT	3	M8, ENGINE MOUNTING (LH FRONT, BOTH REAR)	
31	14M7273	NUT	1	M8, ENGINE MOUNTING (LH FRONT)	
..	LG496758	LABEL KIT	1	ENGINE	
..	28Q7770536E1	GASOLINE ENGINE	1	(COMPLETE) (SUB FOR 28Q7770662E1)	



PU01271

John Deere > Turf And Utility >TRACTOR, LAWN AND GARDEN >EUROPRO - TRACTOR, LAWN AND GARDEN >SABRE 1642HS, 1642V-Twin H, 1642V-Twin G and EUROPRO 1642H Lawn Tractors >20 ENGINE (SINGLE CYLINDER) >ST582244 - CRANKSHAFT, PISTON AND DIPSTICK

KEY	PART NO.	PART NAME	QTY	REMARKS
1	37H73	SCREW	1	
2	LG692014	FILLER CAP	1	NLA; (SUB FOR LG495230)
3	LG270920	SEAL	1	
4	LG691398	TUBE	1	NLA; OIL FILLER (SUB FOR LG496113)
5	LG281370S	SEAL	1	(SUB FOR LG281370)
6	LG496415	TUBE	1	NLA; OIL FILLER (COMPLETE)
7	LG691588	PISTON PIN	2	PKG OF 2, (SUB FOR LG26026)
8	LG298909	PIN	1	COUNTERWEIGHT
9	LG692423	COUNTERWEIGHT	1	(SUB FOR LG399891 OR LG499994)
10	LG691096	CAP SCREW	1	(SUB FOR LG94593)
11	M153303	SCREW	1	(SUB FOR LG691658)
12	LG691779	EXTENSION	1	CRANKSHAFT
13	LG691639	KEY	1	TIMING GEAR (SUB FOR LG94196)
14	LG691284	GEAR	1	TIMING (SUB FOR LG262932)
15	AM129705	CRANKSHAFT	1	(SUB FOR LG498971) (INCLUDES LG692423)
16	LG222698S	SHAFT KEY	1	FLYWHEEL (SUB FOR LG222698)
17	LG691792	LOCK	1	(SUB FOR LG260924)
18	LG495854	PISTON RING KIT	1	STD
18	LG495851	PISTON RING KIT	1	.50 MM (.020") OS
19	LG499284	PISTON REPLACEMENT KIT	1	STD
19	LG495978	PISTON REPLACEMENT KIT	1	.50 MM (.020") OS
20	LG498319	PISTON PIN	1	(SUB FOR LG299691)
21	LG690352	CAP SCREW	1	NLA; SUB FOR LG94648 OR LG690348
22	LG690356	SCREW	1	48 MM (1-57/64"), (SUB FOR LG94695)
23	LG494504S	CONNECTING ROD	1	STD (SUB FOR LG494504)
23	LG495490	CONNECTING ROD	1	.50 MM (.020") US, NLA
24	LG691968	GEAR	1	GOVERNOR (SUB FOR LG490815)
25	LG496885	GEAR	1	NLA, CAM
26	LG691714	LINK	1	COUNTERWEIGHT
27	LG691792	LOCK	2	PISTON PIN (USE WITH LG299691) (SUB FOR LG260924)
27	LG691299	LOCK	2	PISTON PIN (USE WITH LG498319)

Thank you so much for reading.
Please click the “Buy Now!”
button below to download the
complete manual.



After you pay.

You can download the most
perfect and complete manual in
the world immediately.

Our support email:

ebooklibonline@outlook.com