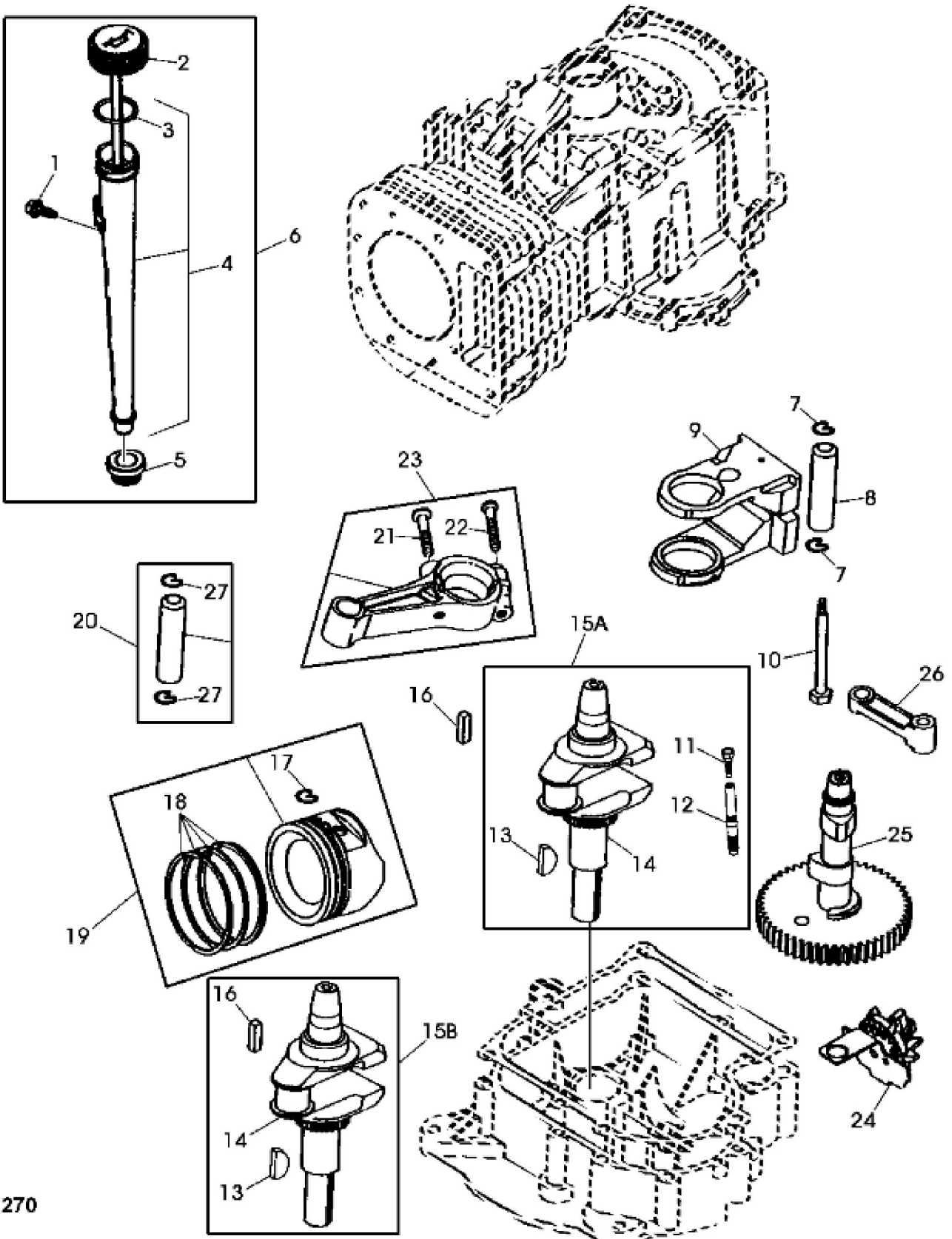


MP18426

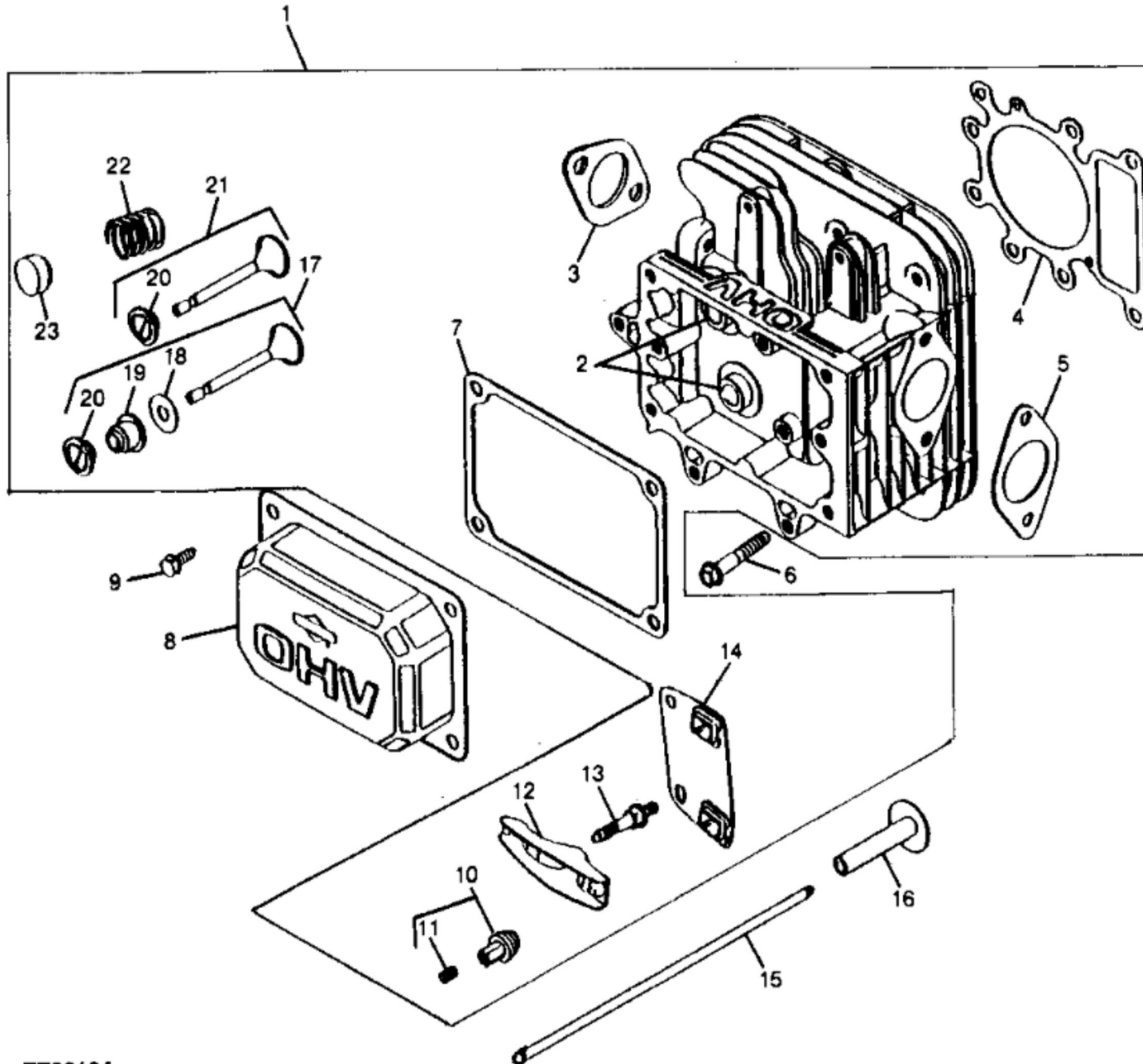
KEY	PART NO.	PART NAME	QTY	REMARKS
1	LG94821	SCREW	4	
2	LG691500	BUSHING	4	(SUB FOR LG805402)
3	LG494439	SCREEN	1	
4	LG691058	BOLT	2	(SUB FOR LG94627)
5	LG690452	RETAINER	1	(SUB FOR LG224413)
6	M145401	FAN	1	NLA(SUB FOR LG281400 AND LG691927)
7	LG225136	WASHER	3	
8	LG693557	FLYWHEEL	1	(SUB FOR LG690222 OR LG492326)
9	AM133624	RING GEAR	1	(SUB FOR LG399676) (INCLUDES (4) LG691265, (4) LG693109 AND (4) LG693148)
10	LG496412	CRANKCASE	1	NLA
11	LG391086S	SEAL	1	(SUB FOR LG391086)
12	LG399265	BEARING	1	NLA; ORDER MIA11778
12	MIA11778	SEAL KIT	1	
13	LG491986	BUSHING KIT	1	NLA; Governor Shaft Bushing
14	LG692407	SEAL	1	(SUB FOR LG491323)
15	LG690959	DOWEL PIN	2	(SUB FOR LG230192)
16	LG691328	TUBE	1	(SUB FOR LG281246)
17	LG691666	CAP SCREW	2	(SUB FOR LG94621)
18	LG495735	BREATHER	1	
19	LG27803S	GASKET	1	(SUB FOR LG27803)
20	LG93758	SCREW	1	OIL PUMP SCREEN
21	LG225076	SCREEN	1	OIL PUMP
22	15H623	DRAIN PLUG	1	(SUB FOR LG94239 AND LG690946)
23	LG692125	CAP SCREW	10	(SUB FOR LG94624)
24	LG693582	RESERVOIR	1	NLA
25	LG291675S	SEAL	1	(SUB FOR LG291675)
26	LG692226	GASKET	1	.38 MM (.015"), (SUB FOR LG271916)
26	LG692406	GASKET	1	.13 MM (.005"), (SUB FOR LG271997)
26	LG692405	GASKET	1	.23 MM (.009"), (SUB FOR LG271996)
27	LG231931	TUBE	1	OIL PUMP
28	AM119686	DRAIN VALVE	1	
29	TY22562	BULK HOSE	AR	7.62M (25 FT.), ROLL
30	19M7897	SCREW	4	M8 X 35, ENGINE MOUNTING

KEY	PART NO.	PART NAME	QTY	REMARKS	
31	14M7298	FLANGE NUT	3	M8, ENGINE MOUNTING (LH FRONT, BOTH REAR)	
31	14M7273	NUT	1	M8, ENGINE MOUNTING (LH FRONT)	
..	LG496758	LABEL KIT	1	ENGINE	
..	28Q7770536E1	ENGINE	1	(SUB FOR 28Q7770662E1)	



PU01270

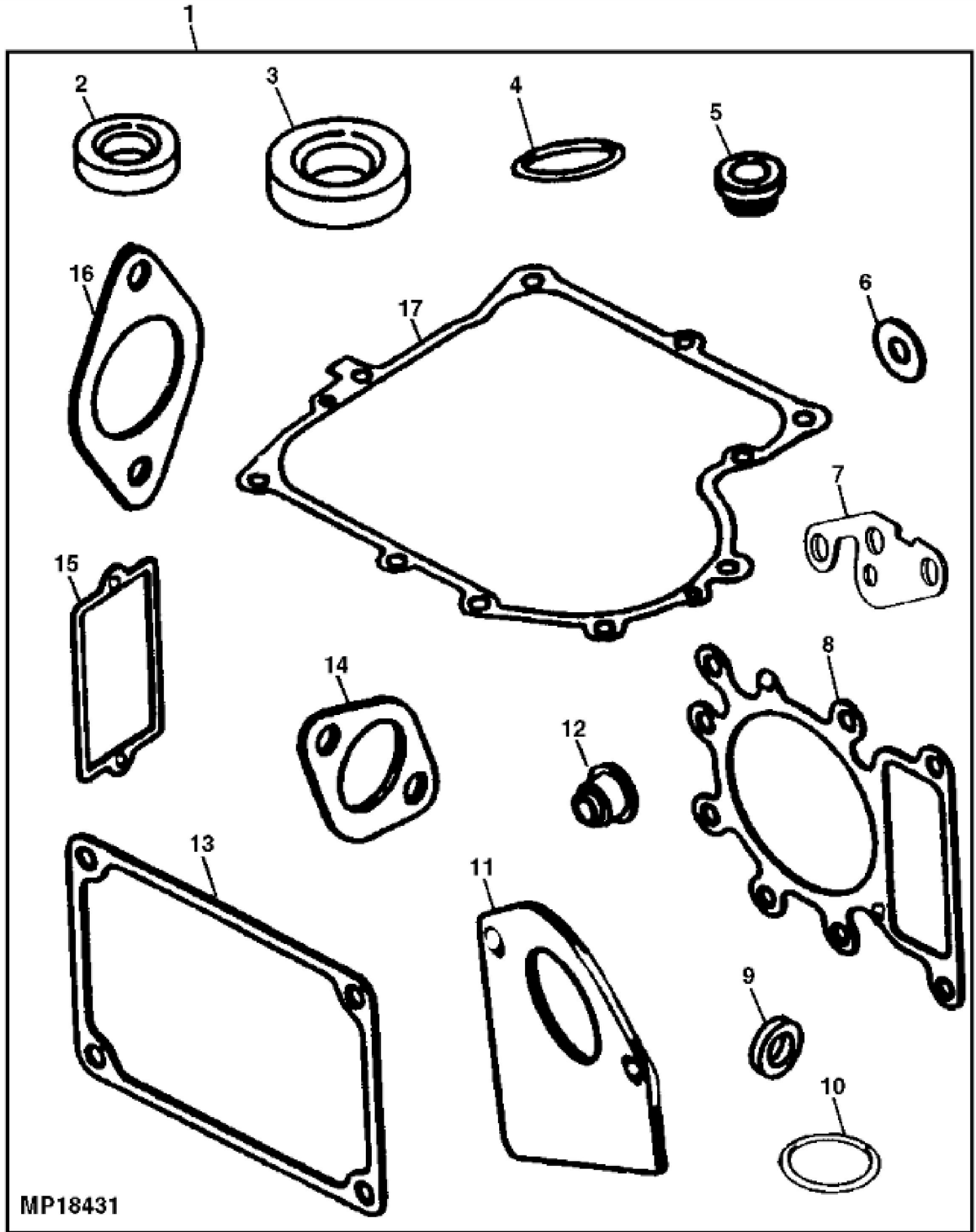
KEY	PART NO.	PART NAME	QTY	REMARKS
1	37H73	SCREW	1	
2	LG692014	FILLER CAP	1	NLA; (SUB FOR LG495230)
3	LG691870	SEAL	1	(SUB FOR LG270920)
4	LG691398	TUBE	1	NLA; OIL FILLER (SUB FOR LG496113)
5	LG281370S	SEAL	1	(SUB FOR LG281370)
6	LG496415	TUBE	1	NLA; OIL FILLER (COMPLETE)
7	LG691588	PISTON PIN	1	(2 PER PKG), (SUB FOR LG26026)
8	LG298909	PIN	1	COUNTERWEIGHT
9	LG692423	COUNTERWEIGHT	1	(SUB FOR LG399891 OR LG499994)
10	LG691096	CAP SCREW	1	(SUB FOR LG94593)
11	M153303	SCREW	1	(SUB FOR LG691658)
12	LG691779	EXTENSION	1	CRANKSHAFT
13	LG691639	KEY	1	TIMING GEAR (SUB FOR LG94196)
14	LG691284	GEAR	1	TIMING (SUB FOR LG262932)
15A	LG693944	CRANKSHAFT	1	NLA (UP TO ENGINE CODE -98063000)
15B	LG690136	CRANKSHAFT	1	(FROM ENGINE CODE 98070100-) NLA
16	LG222698S	SHAFT KEY	1	FLYWHEEL (SUB FOR LG222698)
17	LG691792	LOCK	1	PISTON PIN (SUB FOR LG260924)
18	LG495854	PISTON RING KIT	1	STD
18	LG495851	PISTON RING KIT	1	.50 MM (.020") OS, NLA
18	LG499998	RING KIT	1	.50 MM (.020") OS, NLA
19	LG499284	PISTON REPLACEMENT KIT	1	STD
19	LG499292	PISTON	1	.50 MM (.020") OS, NLA; (SUB FOR LG495978)
20	LG498319	PISTON PIN	1	(SUB FOR LG299691)
21	LG690352	CAP SCREW	1	NLA; SUB FOR LG94648 OR LG690348
22	LG690356	SCREW	1	48 MM (1-57/64"), (SUB FOR LG94695)
23	LG494504S	CONNECTING ROD	1	(ENGINE CODES UP TO -98063000) (SUB FOR LG494504)
23	M144310	CONNECTING ROD	1	NLA; (FROM ENGINE CODES 98070100-)
24	LG691968	GEAR	1	GOVERNOR (SUB FOR LG490815)
25	LG496885	GEAR	1	NLA, CAM
26	LG691714	LINK	1	COUNTERWEIGHT
27	LG691792	LOCK	2	PISTON PIN (USE WITH LG299691) (SUB FOR LG260924)
27	LG691299	LOCK	2	PISTON PIN (USE WITH LG498319)



TT00104

John Deere > Turf And Utility >TRACTOR, LAWN AND GARDEN >SABRE - TRACTOR, LAWN AND GARDEN >SABRE 1646HS, 1646V-Twin H and EUROPRO 1646H Lawn Tractors >20 ENGINE (SINGLE CYLINDER) >ST582323 - CYLINDER HEAD

KEY	PART NO.	PART NAME	QTY	REMARKS
1	LG691165	CYLINDER HEAD	1	(SUB FOR LG495858)
2	LG690969	BUSHING	2	(SUB FOR LG262835)
3	LG692236	GASKET	1	(A) (SUB FOR LG272293)
4	MIU11490	ENGINE CYLINDER HEAD GASKET	1	(A) (SUB FOR LG273280S OR M150400)
5	LG272569S	GASKET	1	(A) (SUB FOR LG272569)
6	LG690360	SCREW	1	(SUB FOR LG94728)
7	LG272475S	GASKET	1	(A) (SUB FOR LG272475)
8	MIU12708	COVER	1	(ROCKER ARM) (INCLUDES LG272475S) (SUB FOR LG214314 OR LG690388 OR LG692492 OR MIU11055)
9	37H73	SCREW	4	(SUB FOR LG94786 OR LG692198)
10	LG492160	ADJUSTER	1	
11	LG810068	SET SCREW	1	
12	LG691751	ROCKER ARM	1	(SUB FOR LG224554)
13	LG691095	STUD	1	(SUB FOR LG94555)
14	LG690822	GUIDE	2	(SUB FOR LG495248)
15	LG692003	PUSH ROD	1	(INTAKE) (SUB FOR LG494432)
15	LG692011	PUSH ROD	1	(EXHAUST) (SUB FOR LG495136)
16	LG690564	TAPPET	2	(SUB FOR LG262411)
17	MIA10689	INTAKE VALVE	1	(INCLUDES PARTS MARKED (B)) (SUB FOR LG495857 OR M149939)
18	LG691316	GASKET	1	(A) (SUB FOR LG272610)
19	LG690968	SEAL	1	(A), (B) (SUB FOR LG494435 OR LG499236)
20	LG499586	RETAINER	2	(B) (SUB FOR LG224641, LG691752 OR M144618)
21	LG495856	EXHAUST VALVE	1	
22	LG691279	SPRING	2	(SUB FOR LG262811)
23	LG691843	CAP	2	(SUB FOR LG262836)
..	LG495992	CARBURETOR KIT	1	VALVE OVERHAUL (INCLUDES PARTS MARKED (A))



MP18431

Thank you so much for reading.
Please click the “Buy Now!”
button below to download the
complete manual.



After you pay.

You can download the most
perfect and complete manual in
the world immediately.

Our support email:

ebooklibonline@outlook.com