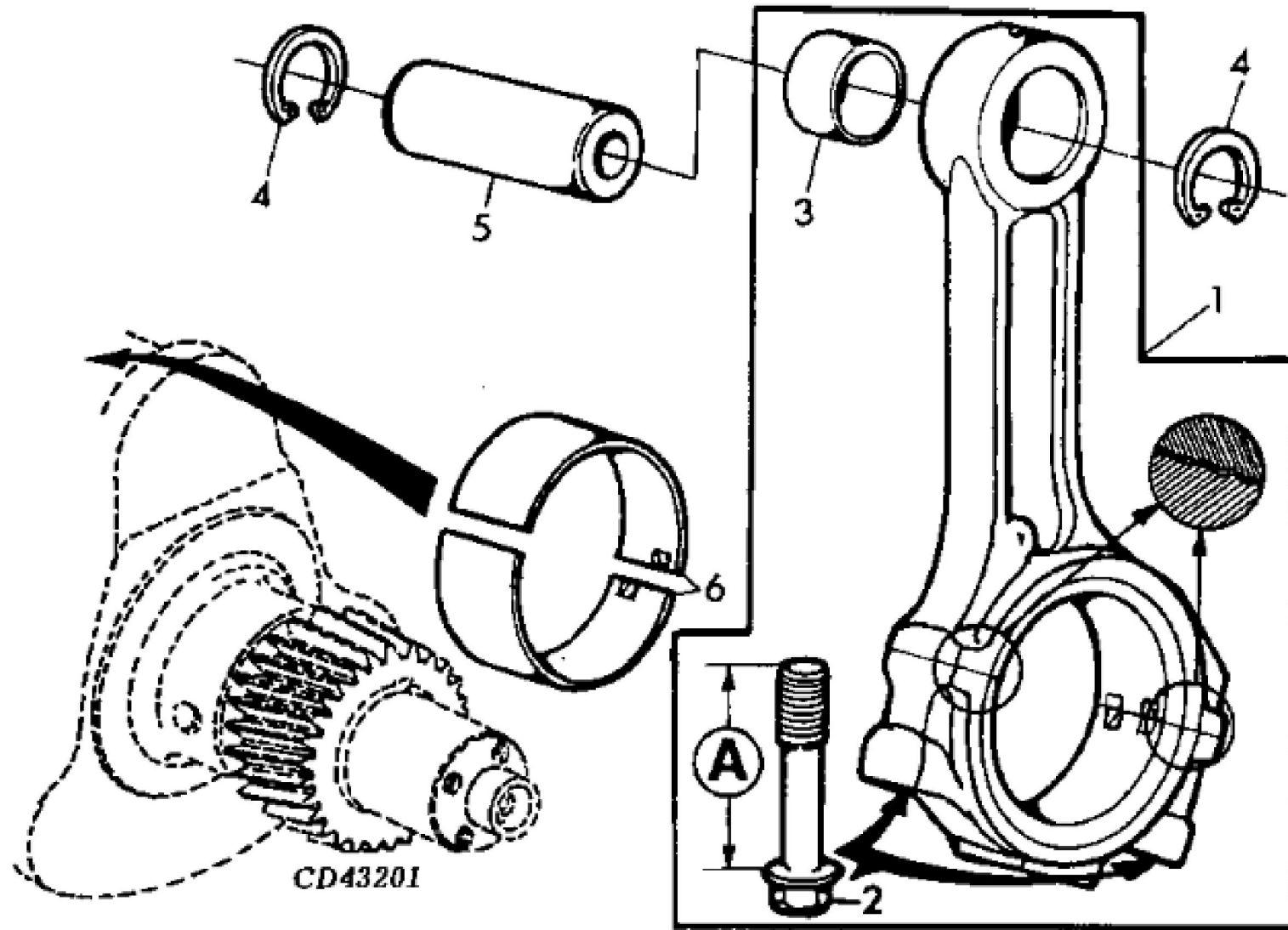


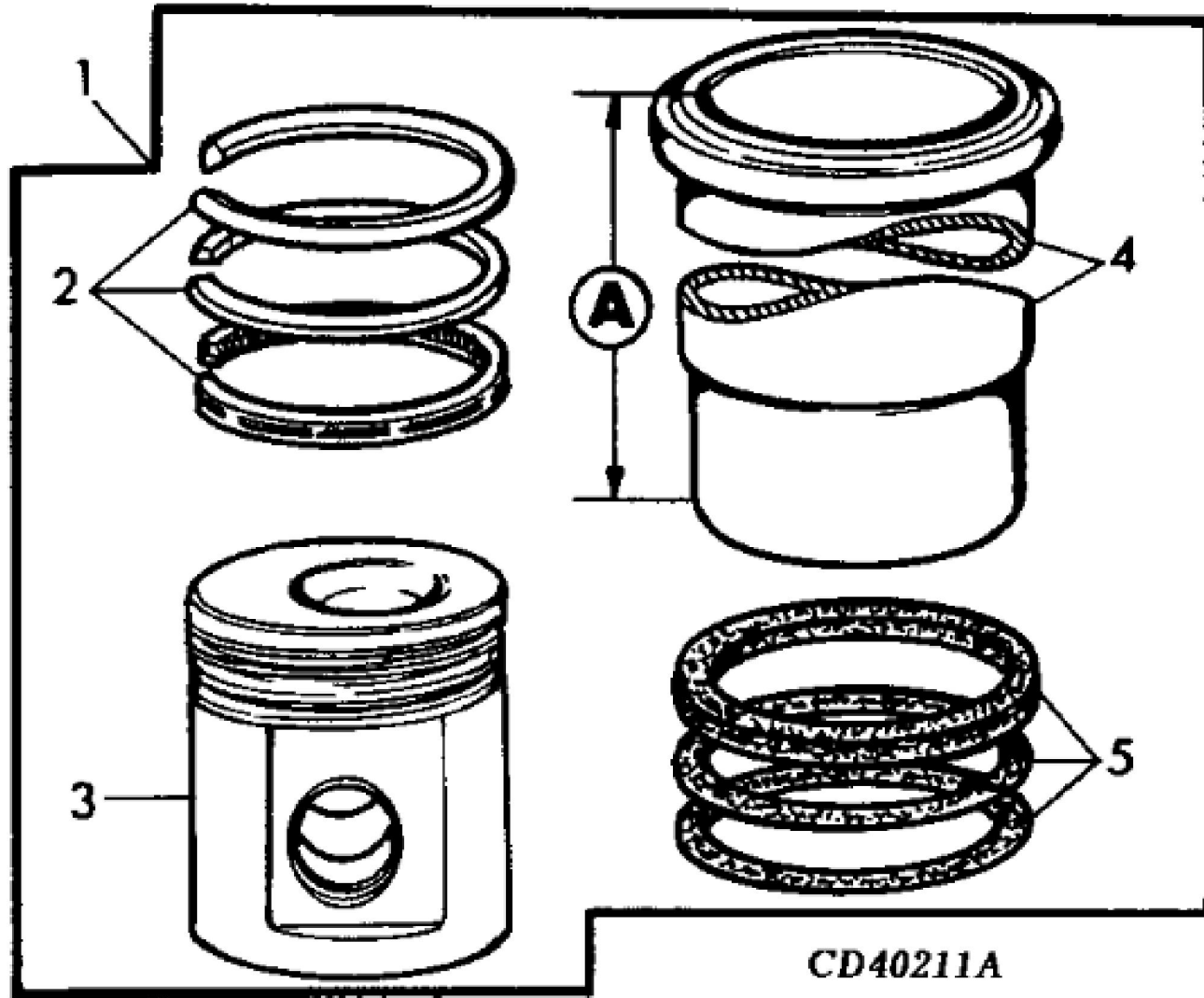
John Deere > Turf And Utility > LOADER, FOUR-WHEEL DRIVE > 4045TF273 - LOADER, FOUR-WHEEL DRIVE > 324H and 344H Loaders > 04A 4045DF153 - 324H LOADER TIER 1 ENGINE 4045DF153 > 0400A 4045DF153 - 324H LOADER TIER 1 ENGINE 4045DF153 4045DF153 > ST403178 - FRONT PLATE AND UPPER IDLE GEAR

KEY	PART NO.	PART NAME	QTY	REMARKS
1	DD15664	SEALANT	1	
2	R134526	PLATE	1	
3	R116386	STUD	3	M10 X LGTH 60MM
4	R136475	SCREW	4	
5	R134518	STUD	2	LGTH 68MM
6	R123174	LOCK WASHER	1	
7	R120641	SHAFT	1	
8	RE508932	GEAR	1	(SUB FOR RE56313) (MARKED R505121)
9	R131206	THRUST WASHER	1	
10	34H288	SPRING PIN	1	3/16" X 1-3/4"
11	19M7808	SCREW	1	M10 X 65
12	R114194	SHAFT	1	
13	R101225	THRUST WASHER	1	
14	R123584	STUD	4	LGTH 78MM



John Deere > Turf And Utility > LOADER, FOUR-WHEEL DRIVE > 4045TF273 - LOADER, FOUR-WHEEL DRIVE > 324H and 344H Loaders > 04A 4045DF153 - 324H LOADER TIER 1 ENGINE 4045DF153 > 0400A 4045DF153 - 324H LOADER TIER 1 ENGINE 4045DF153 4045DF153 > ST403179 - CONNECTING ROD / BEARINGS

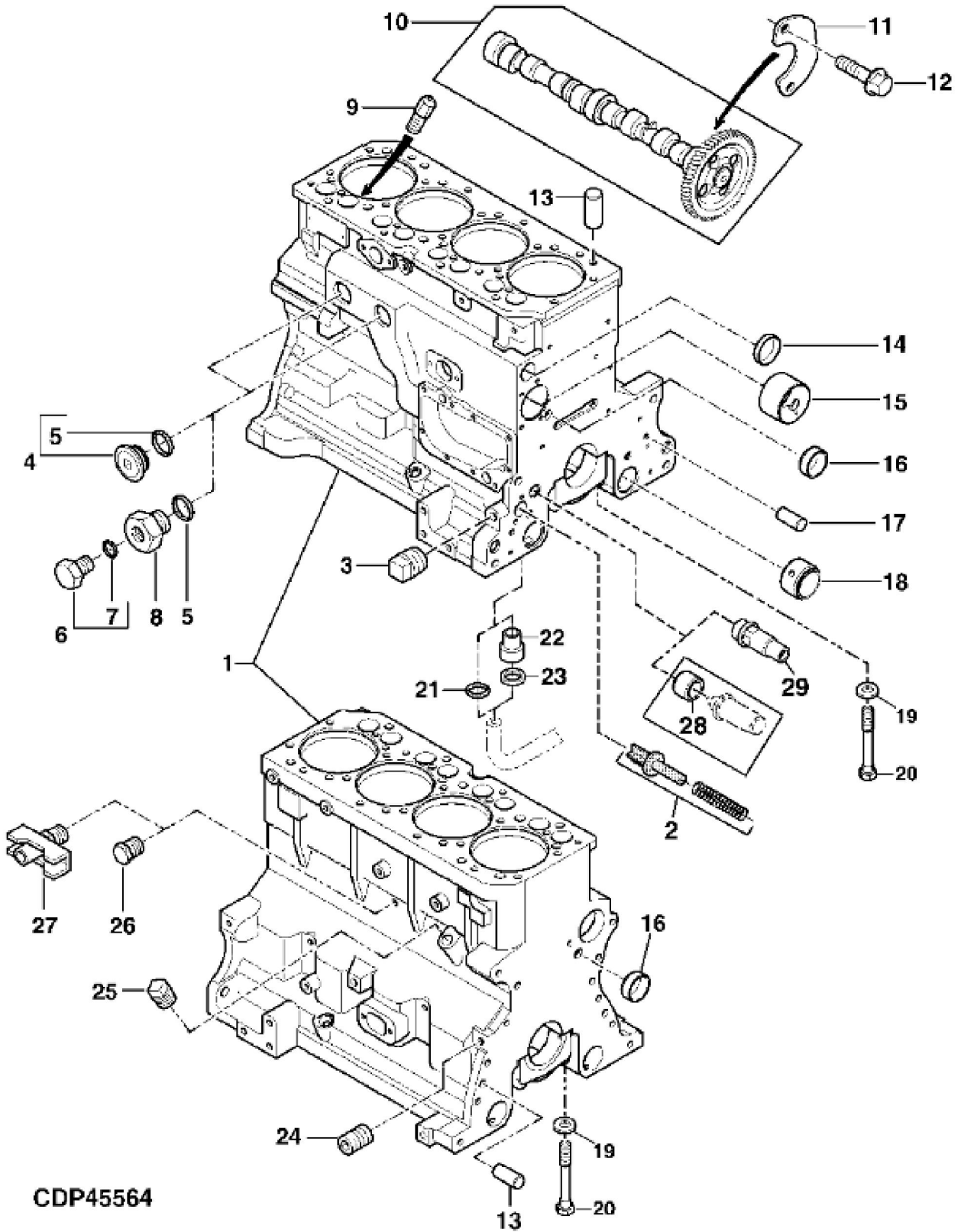
KEY	PART NO.	PART NAME	QTY	REMARKS
1	RE500002	CONNECTING ROD	4	(MARKED R500000)
1	SE501096	CONNECTING ROD REMAN	4	(REMAN FOR RE500002)
2	R501124	SCREW	2	A= 61MM
3	R123960	BUSHING	1	
4	M41029	SNAP RING	8	
5	R123178	PISTON PIN	4	OD 35MM , LGTH 72MM
6	RE65908	BEARING	4	(MARKED (2) R113698)STD
6	RE65909	BEARING	AR	(GRINDING GUIDELINES : SEE CTM104) US -0.254MM, (MARKED (2) R130578)



CD40211A

John Deere > Turf And Utility > LOADER, FOUR-WHEEL DRIVE > 4045TF273 - LOADER, FOUR-WHEEL DRIVE > 324H and 344H Loaders > 04A 4045DF153 - 324H LOADER TIER 1 ENGINE 4045DF153 > 0400A 4045DF153 - 324H LOADER TIER 1 ENGINE 4045DF153 4045DF153 > ST403180 - PISTON / LINER - KIT

KEY	PART NO.	PART NAME	QTY	REMARKS
1	RE520835	PISTON-LINER KIT	4	(SUB FOR RE505110)
2	RE66271	PISTON RING KIT	1	PKG (3)
3	PISTON	1	(MARKED RE505101) (ORDER RE520835) NSEP
4	CYLINDER LINER	1	A = 218MM, NSEP, (ORDER RE520835)
5	AR65507	O-RING KIT	1	PKG (3)



CDP45564

Thank you so much for reading.
Please click the “Buy Now!”
button below to download the
complete manual.



After you pay.

You can download the most
perfect and complete manual in
the world immediately.

Our support email:

ebooklibonline@outlook.com