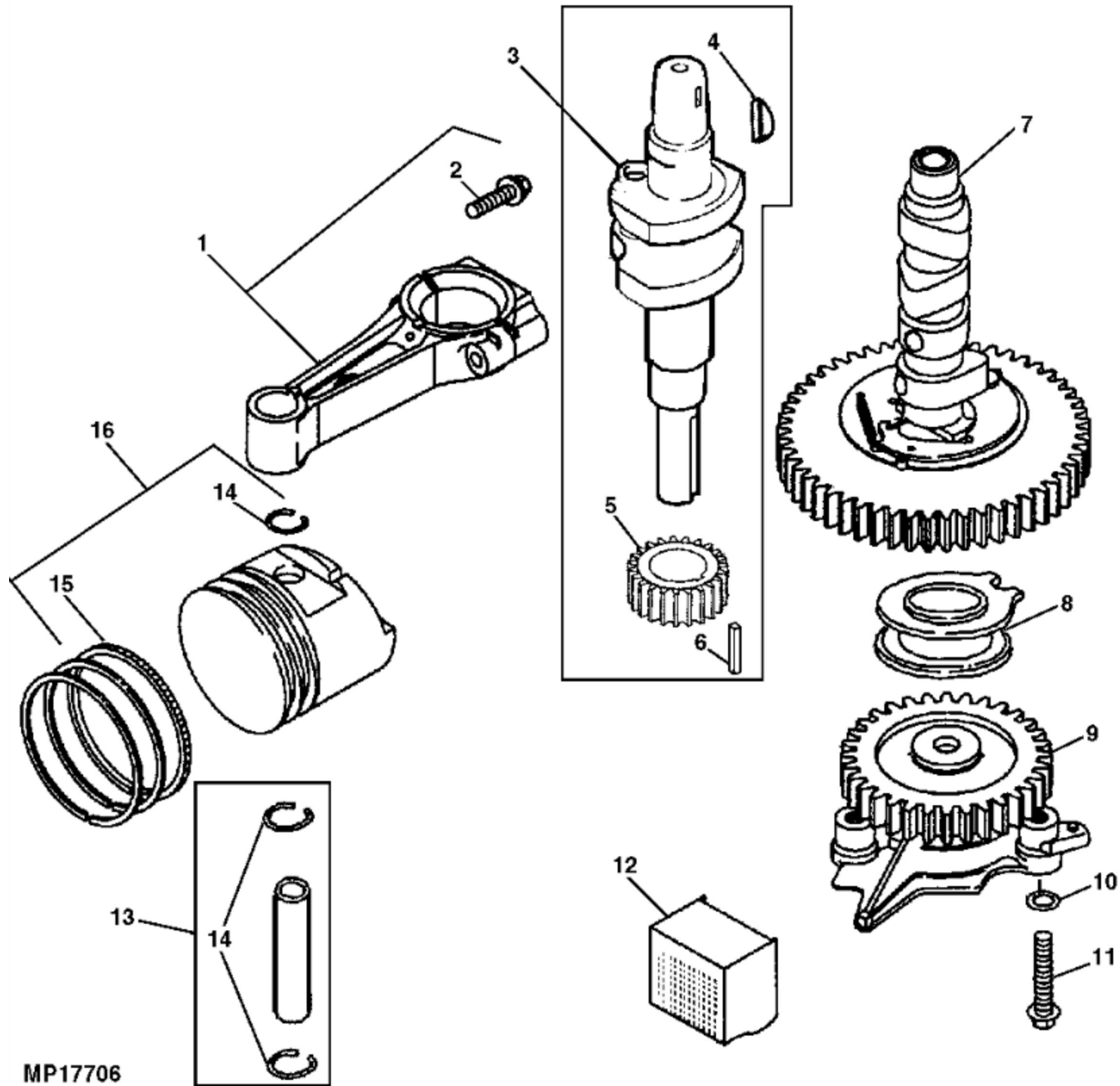


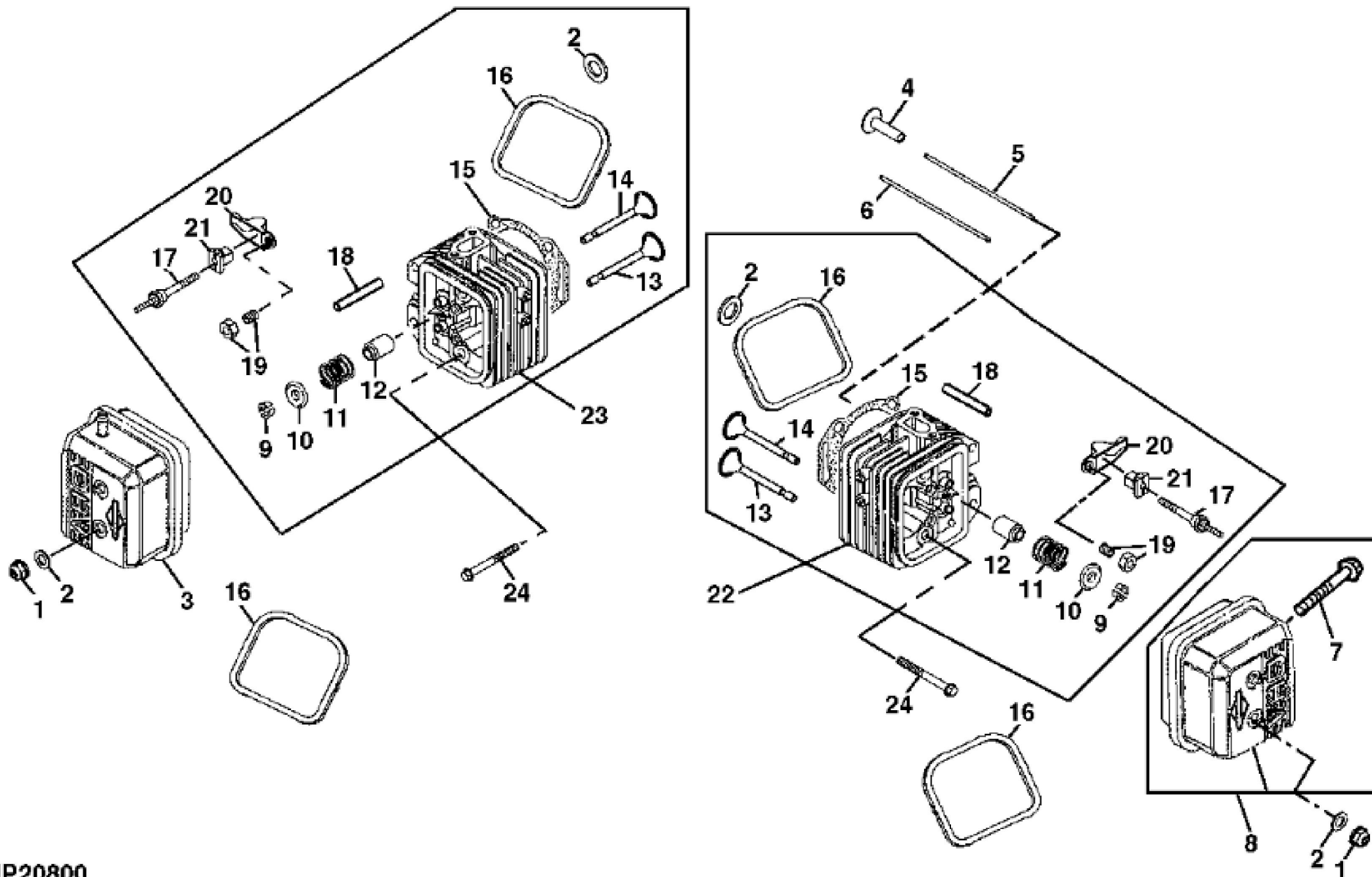
MP20799

KEY	PART NO.	PART NAME	QTY	REMARKS
1	LG808647	CYLINDER BLOCK	1	
2	LG808534	BUSHING	1	
3	LG805101S	SEAL	1	
4	M145399	SLEEVE	1	DOWEL, (SUB FOR LG690684)
5	15H623	DRAIN PLUG	3	3/8", (A) OIL (PAN) (SUB FOR LG690946)
6	AM125424	OIL FILTER	1	(SUB FOR LG492932S)
7	LG808537	ADAPTER FITTING	1	
8	LG692063	GASKET	1	(SUB FOR LG805250)
9	LG690706	LOCK WASHER	1	
10	LG690682	STUD	1	
11	LG690679	CAP SCREW	1	
12	LG805049S	SEAL	2	(A)
13	LG690704	WASHER	1	(A)
14	MIU12287	GASKET	1	NLA; ORDER MIU11265; SUB FOR LG691684; Crankcase
14	MIU11265	GASKET	1	NLA; ORDER MIU13345
14	MIU13345	GASKET	1	NLA; ORDER MIU14235
14	MIU14235	GASKET	1	
15	LG690680	SEAL	2	(A) GOVERNOR
16	LG690701	BUSHING	2	(A) GOVERNOR
16	M144914	BUSHING	1	
17	LG692154	SEAL	1	(A)
18	LG808504	RESERVOIR	1	(A) ENGINE SUMP
18	MIA11613	CRANKCASE	1	(INCLUDES PARTS MARKED (A)) (ALSO INCLUDES (2) LG690681 AND 19M7077 AND (2) 19M7299)
19	MIU11524	SCREW	1	(SUB FOR LG692540)
20	19M7897	SCREW	4	M8 X 35
21	LG691145	CLAMP	1	(SUB FOR LG95115)
22	LG806379	STRUCTURAL TUBE	1	BREATHER
23	LG691550	COTTER PIN	1	(A)
24	LG690702	BUSHING	1	GOVERNOR
25	LG690899	CRANK	1	GOVERNOR
25	AM131177	CRANK	1	(A) (USE WITH MIA11613) (INCLUDES M144914)
26	14M7298	FLANGE NUT	4	M8
27	M132015	THREADED NIPPLE	1	
28	M126875	CAP	1	OIL DRAIN

KEY	PART NO.	PART NAME	QTY	REMARKS	
29	LG692053	SEAL	1		
30	M147829	SCREW	2	(SUB FOR LG692537)	
31	LG692093	STRUCTURAL TUBE	1	OIL FILL	
32	LG691870	SEAL	1		
33	LG690233	PRESSURE SWITCH	1	OIL	
34	LG692101	DIPSTICK	1		
..	LG808539	LABEL KIT	1		
..	AM124448	GASOLINE ENGINE	1		
..	AM131355	SHORT BLOCK ASSEMBLY	1		

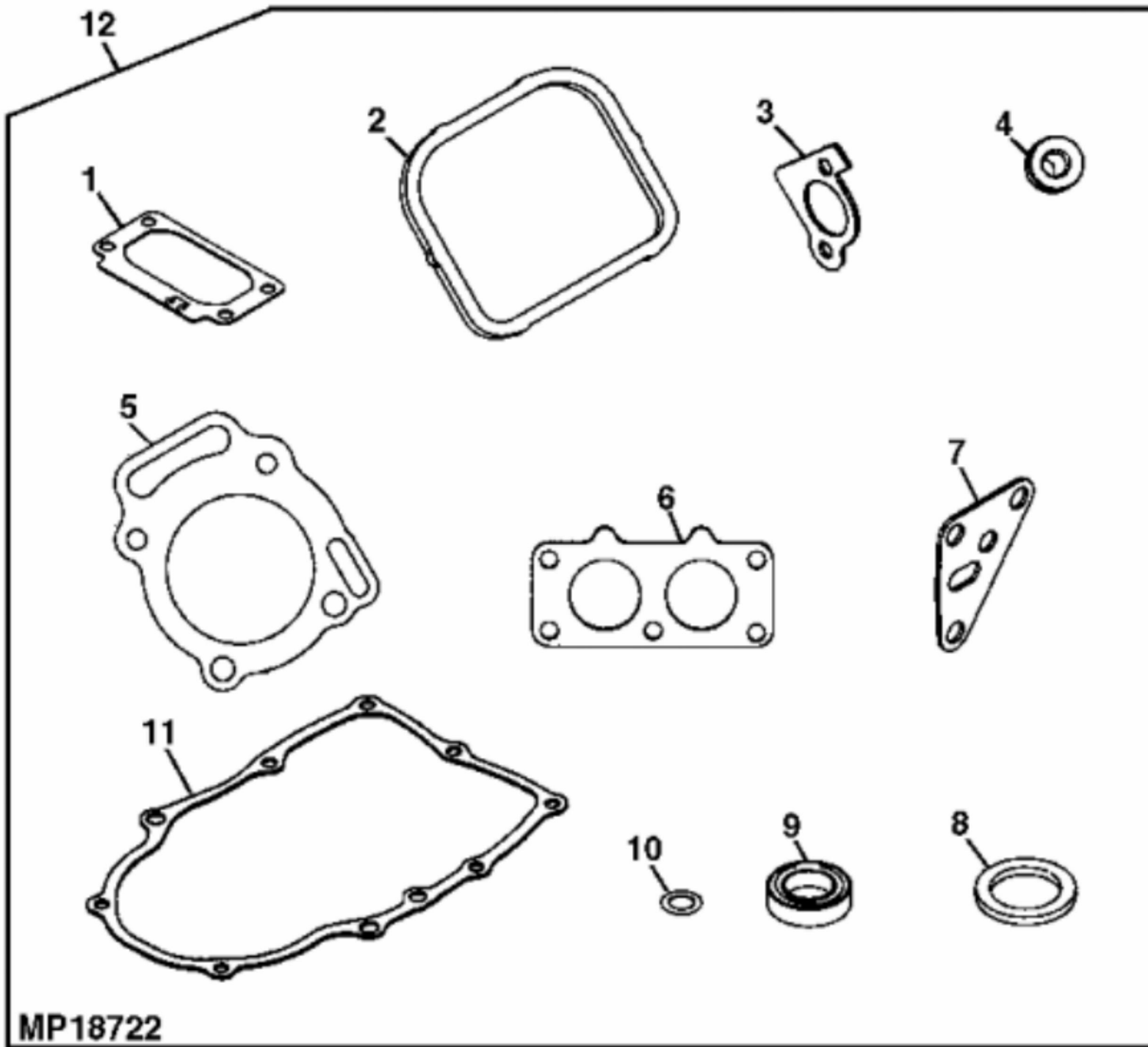


KEY	PART NO.	PART NAME	QTY	REMARKS	
1	LG808646	CONNECTING ROD	2	STD	
2	LG690698	SCREW	4		
3	LG808675	CRANKSHAFT	1		
4	LG806066	SHAFT KEY	1		
5	LG691530	GEAR	1	TIMING, (SUB FOR LG805984)	
6	LG691639	KEY	1		
7	LG808649	GEAR	1	CAM, (SUB MIA10912)	
8	LG690689	SPOOL	1	GOVERNOR	
9	LG693186	OIL PUMP	1	(ORDER MIA11613)	
10	LG690681	SEAL	2		
11	LG691492	CAP SCREW	2		
12	LG690878	SCREEN	1	OIL PUMP	
13	LG808526	PISTON PIN	2		
14	LG806378	LOCK	4	PISTON PIN	
15	LG808528	PISTON RING KIT	2	STD	
15	LG808661	PISTON RING KIT	2	.50MM (.020") OS	
16	LG808527	PISTON	2	STD	
16	LG808652	PISTON	2	.50MM (.020") OS	



MP20800

KEY	PART NO.	PART NAME	QTY	REMARKS	
1	LG692055	LOCK NUT	4		
2	LG691766	WASHER	6		
3	LG691558	VALVE COVER	1		
4	LG690977	TAPPET	4	VALVE	
5	LG691836	PUSH ROD	2	INTAKE (STEEL)	
6	LG691758	PUSH ROD	2	EXHAUST (ALUMINUM)	
7	LG806421	CAP SCREW	4		
8	LG808648	VALVE COVER	1	(W/FUEL PUMP VACUUM HOSE FITTING)	
9	LG807683	RETAINER	4	VALVE	
10	LG692058	RETAINER	4	VALVE	
11	LG692084	SPRING	4	VALVE	
12	LG691963	SEAL	4	VALVE	
13	LG806419	EXHAUST VALVE	2		
14	LG806420	INTAKE VALVE	2		
15	LG806377	ENGINE CYLINDER HEAD GASKET	2		
16	LG806039S	GASKET	4	ROCKER COVER	
17	LG691544	STUD	4	ROCKER ARM	
18	LG692057	GUIDE	4	VALVE	
19	LG807623	ADJUSTER	4	W/NUT	
20	LG691543	ROCKER ARM	4		
21	MIU11035	PIVOT	4	ROCKER ARM, (SUB FOR LG690973)	
22	LG808530	CYLINDER HEAD	1	LH	
23	LG808529	CYLINDER HEAD	1	RH	
24	LG692059	CAP SCREW	4		



MP18722

Thank you so much for reading.
Please click the “Buy Now!”
button below to download the
complete manual.



After you pay.

You can download the most
perfect and complete manual in
the world immediately.

Our support email:

ebooklibonline@outlook.com