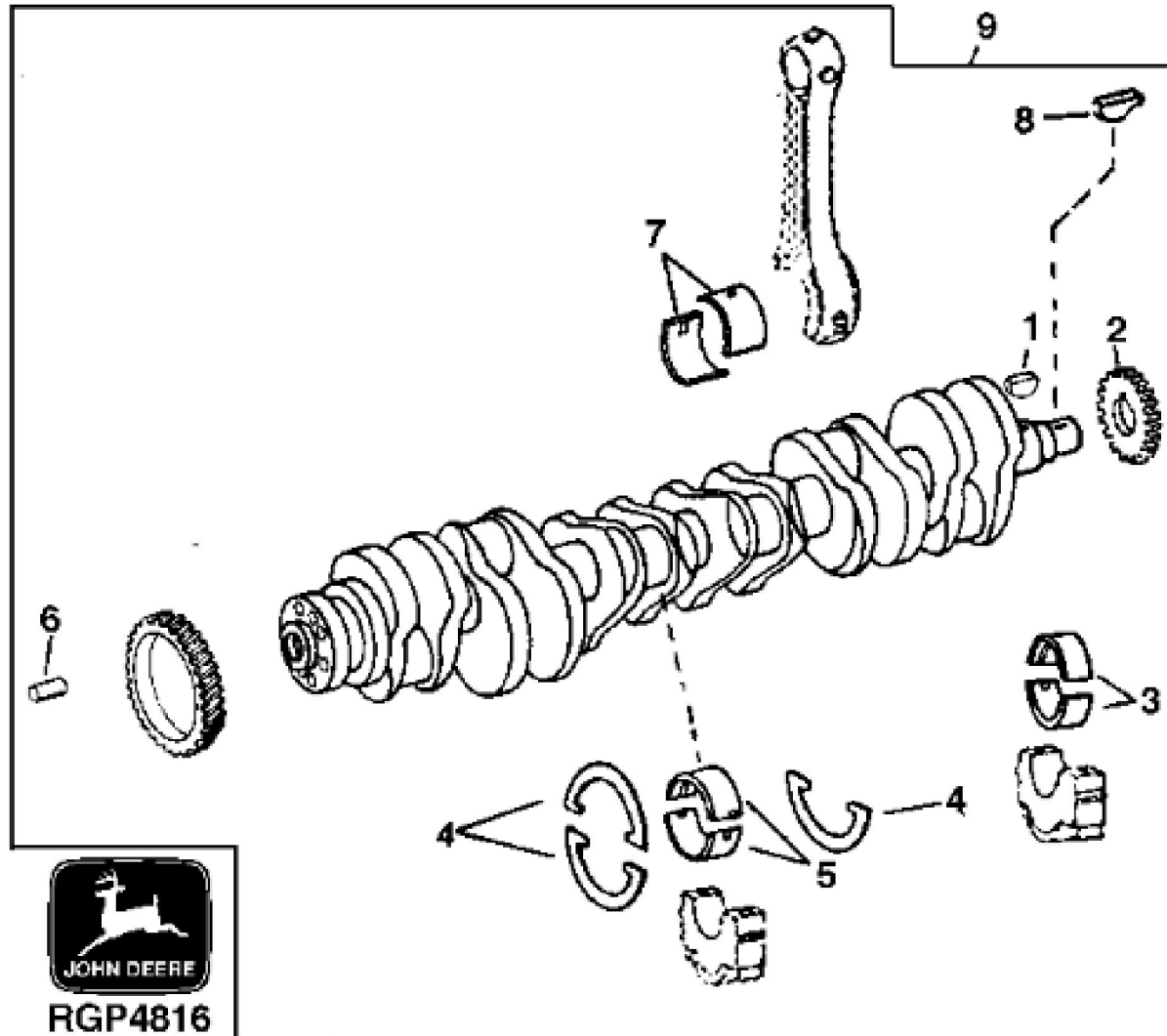


RG26768

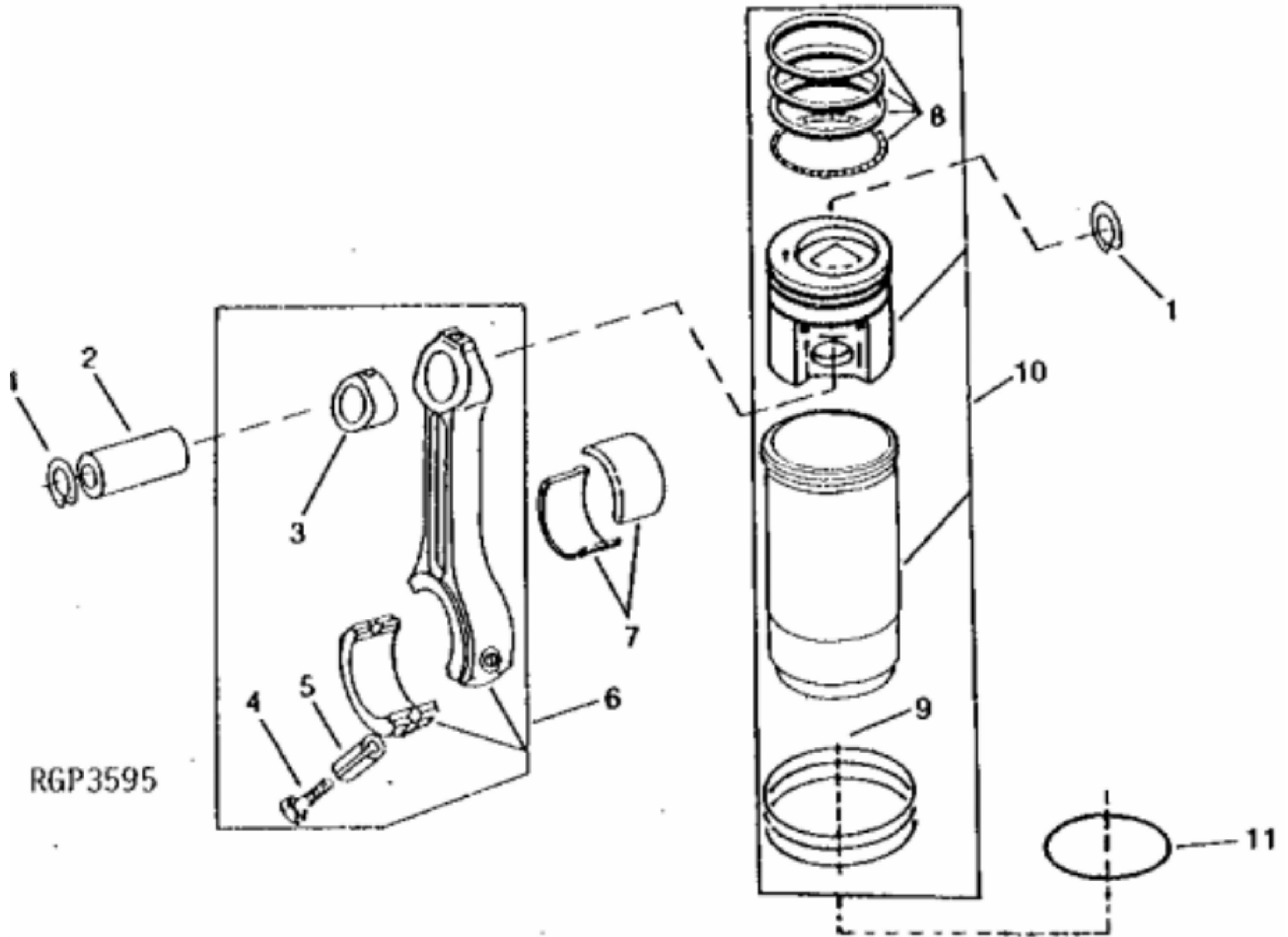
ROCKER ARM COVER

KEY	PART NO.	PART NAME	QTY	REMARKS	
1	TY22450	BULK HOSE	AR		
2	AR100124	SCREW WITH WASHER	8		
3	TY22467	CLAMP	1		
4	T20294	CAP	1		
5	T20328	GASKET	1		
6	AR93173	COVER	1		
7	R49866	GASKET	1		
..	PM37532	ADHESIVE	1	(SUB FOR TY24446)	



UNDERSIZE CONNECTING ROD JOURNAL CRANKSHAFT AND BEARING KIT

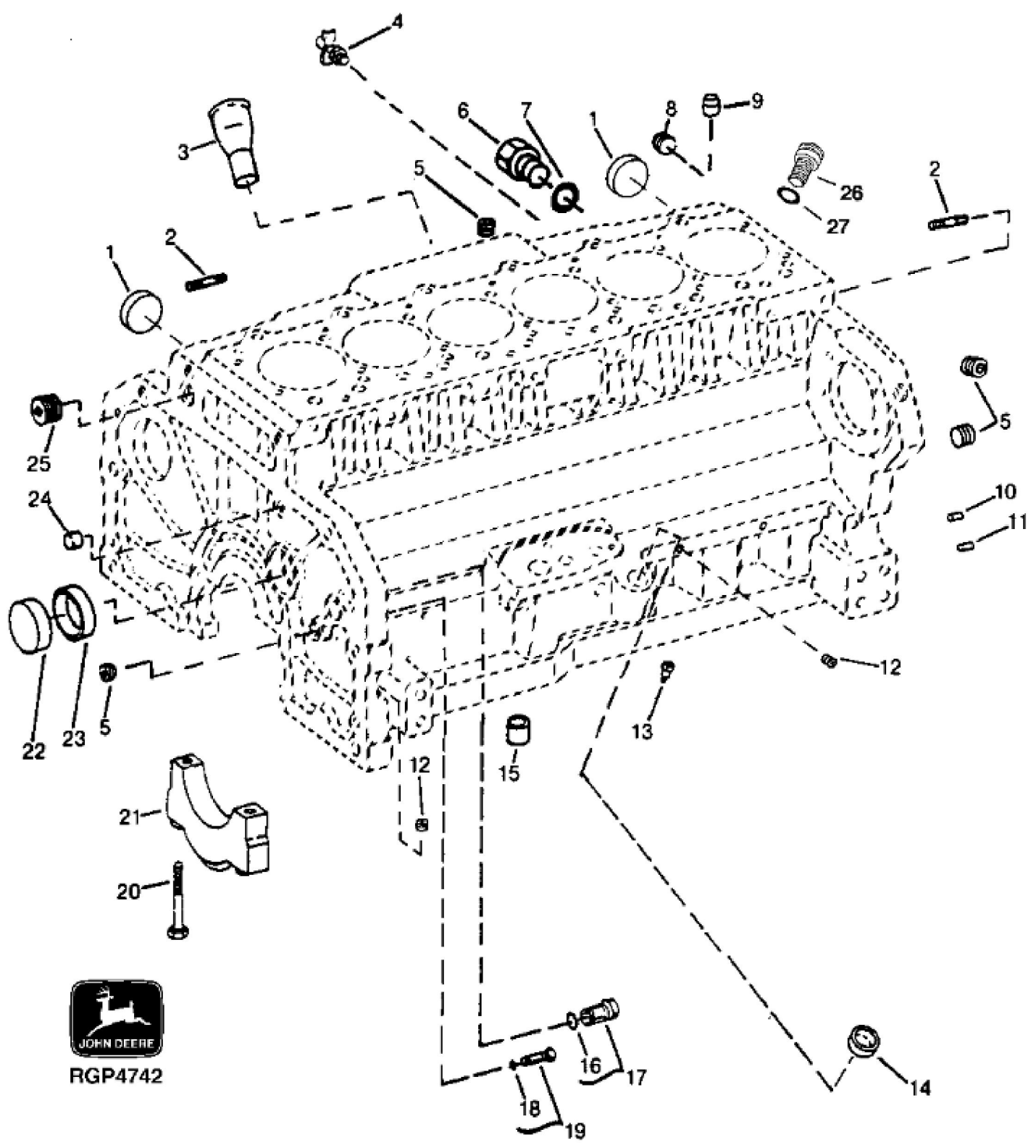
KEY	PART NO.	PART NAME	QTY	REMARKS	
1	R120752	KEY	1		
2	R104587	GEAR	1		
3	RE57170	BEARING	6	STD	
4	RE61253	THRUST WASHER	1	STD	
5	RE57175	THRUST BEARING	1	STD	
6	R41934	DOWEL PIN	1		
7	RE57167	BEARING	6	.292 MM (.011") US	
8	R116311	KEY	1		
9	RE61267	CRANKSHAFT	1	.292 MM (.011") US, (MARKED RE58780 OR R122653)	



RGP3595

John Deere > Construction And Forestry > EXCAVATOR > 370 - EXCAVATOR > 330LC/370 Excavator > 04 ENGINE 6081HT001-RG26768 > 0400 ENGINE 6081HT001-RG26768 6081HT001 > ST290294 - PISTON, CONNECTING ROD, CYLINDER LINER

KEY	PART NO.	PART NAME	QTY	REMARKS
1	E1343FN	SNAP RING	12	
2	R57771	PISTON PIN	6	
3	R74008	BUSHING	6	
4	R66452	CAP SCREW	12	
5	R53292	SLEEVE	12	
6	RE53154	CONNECTING ROD	6	
6	SE500501	CONNECTING ROD REMAN	6	(MARKED R116340) (REMAN FOR RE53154)
7	R116081	BEARING	6	STD PKG (2)
7	RE57167	BEARING	AR	0.292MM (.011"), US (PKG OF 2)
8	RE57188	PISTON RING	6	
9	AR98850	O-RING KIT	6	
10	RE64509	PISTON-LINER KIT	6	(MARKED RE53000, RE64170 OR RE65289)
11	R93948	SHIM	2	0.05MM (.002") (MAX)



Thank you so much for reading.
Please click the “Buy Now!”
button below to download the
complete manual.



After you pay.

You can download the most
perfect and complete manual in
the world immediately.

Our support email:

ebooklibonline@outlook.com