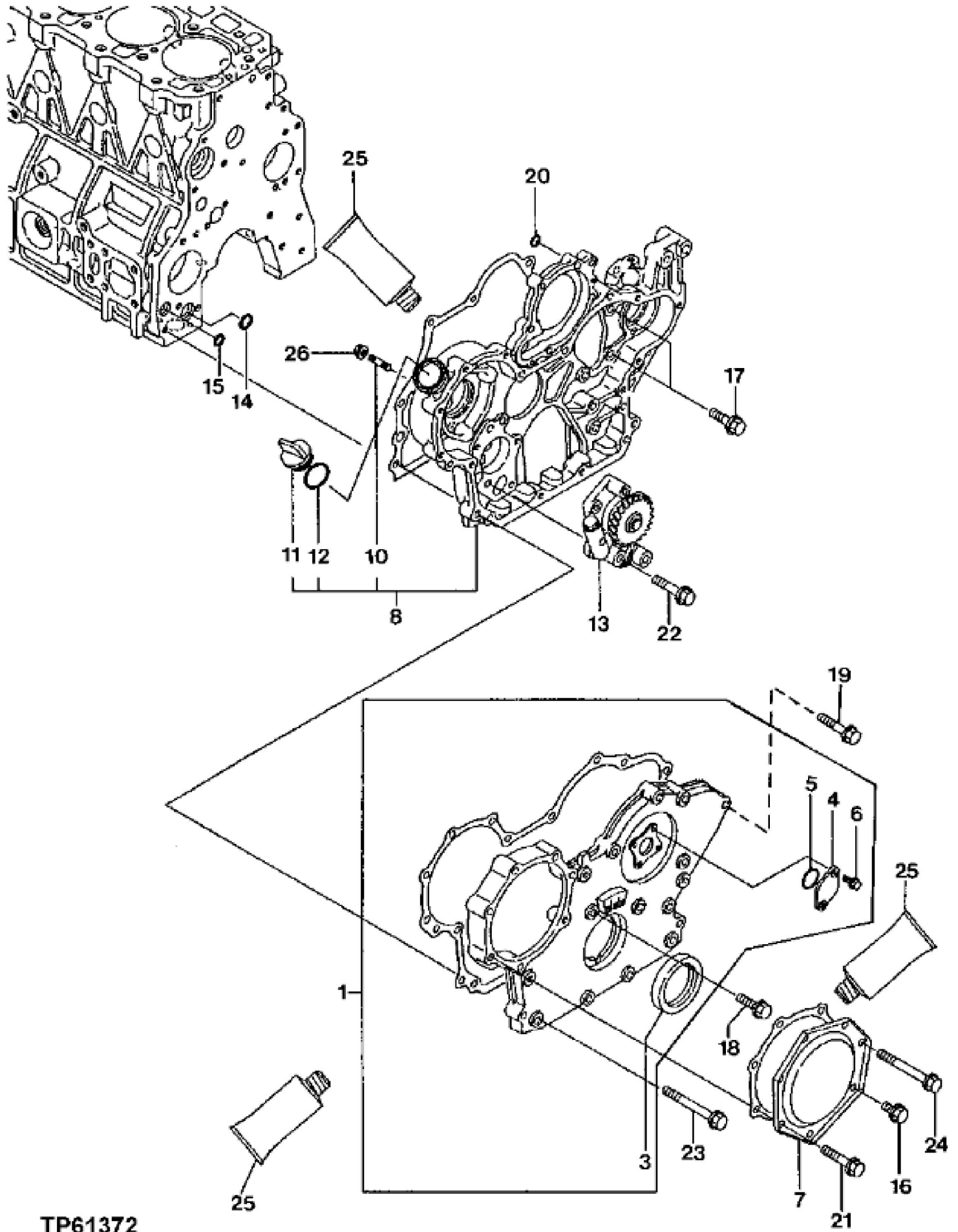




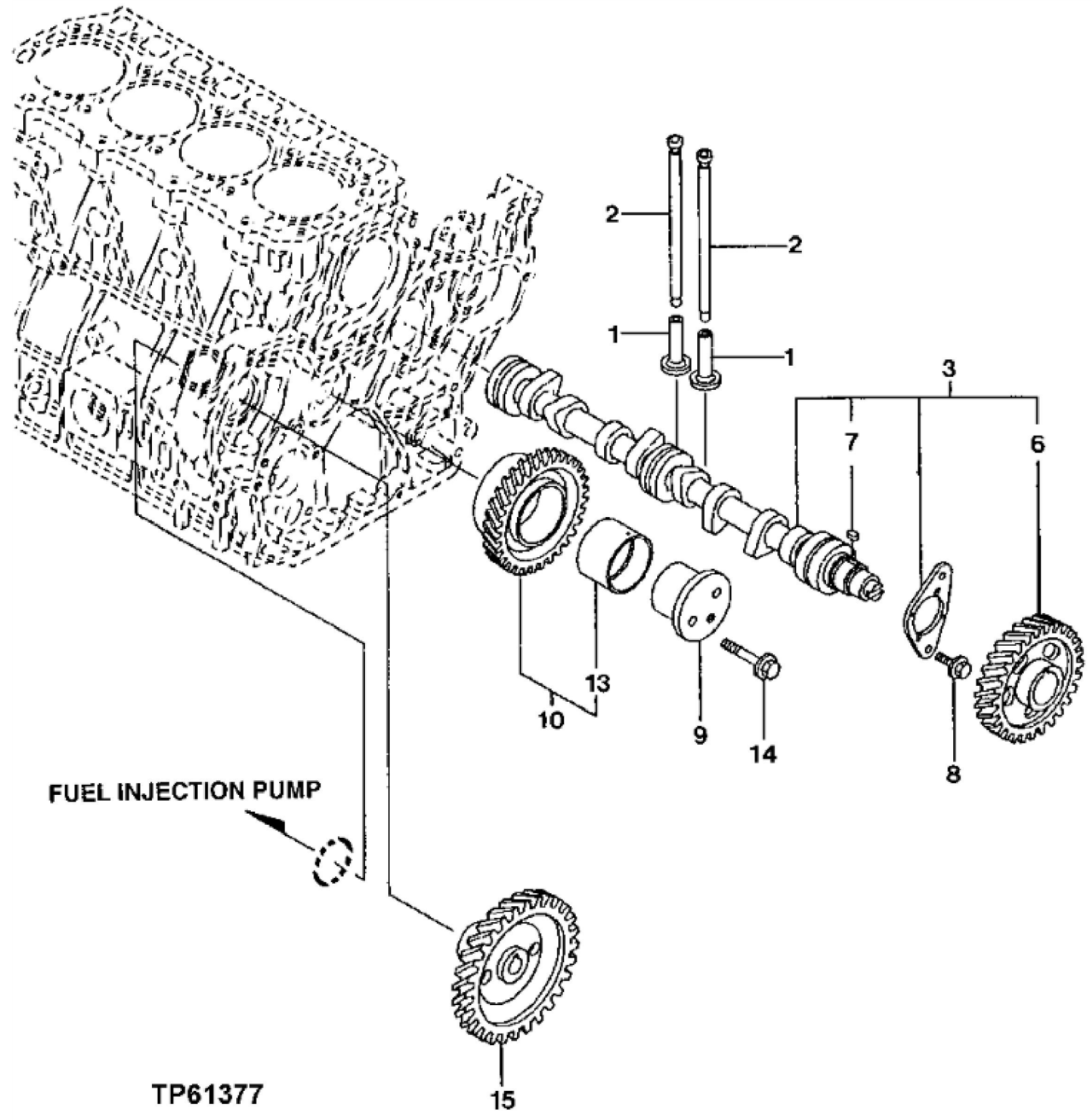
KEY	PART NO.	PART NAME	QTY	REMARKS	
1	AT211731	CRANKSHAFT	1		
3	AT211734	GEAR	1		
4	CH16793	PIN	1		
5	CH16730	PIN	1		
6	M801045	SHAFT KEY	1		
7	AT211884	PULLEY	1		
8	AT211735	WASHER	1		
9	CH16798	BOLT	1		
10	CH16791	BOLT	6		
11	AT211886	FLYWHEEL	1		
14	AT211740	PISTON	4		
16	AT211742	PISTON RING	4		
20	AT211746	PISTON PIN	4		
21	CH14432	RING	8		
22	MIA881093	CONNECTING ROD	4	(SUB FOR AT211747)	
25	MIU801252	BUSHING	4	(SUB FOR AT211840)	
26	AT211751	SCREW	8		
27	MIA880564	BEARING	4	(SUB FOR AT211752)	
29	MIA880569	BEARING	4	(SUB FOR AT211841) (UNDERSIZE)	
31	AT211842	PISTON	4	(OVERSIZE)	
33	AT211843	RING	4	(OVERSIZE)	
35	AT212055	FLYWHEEL	1		



TP61372

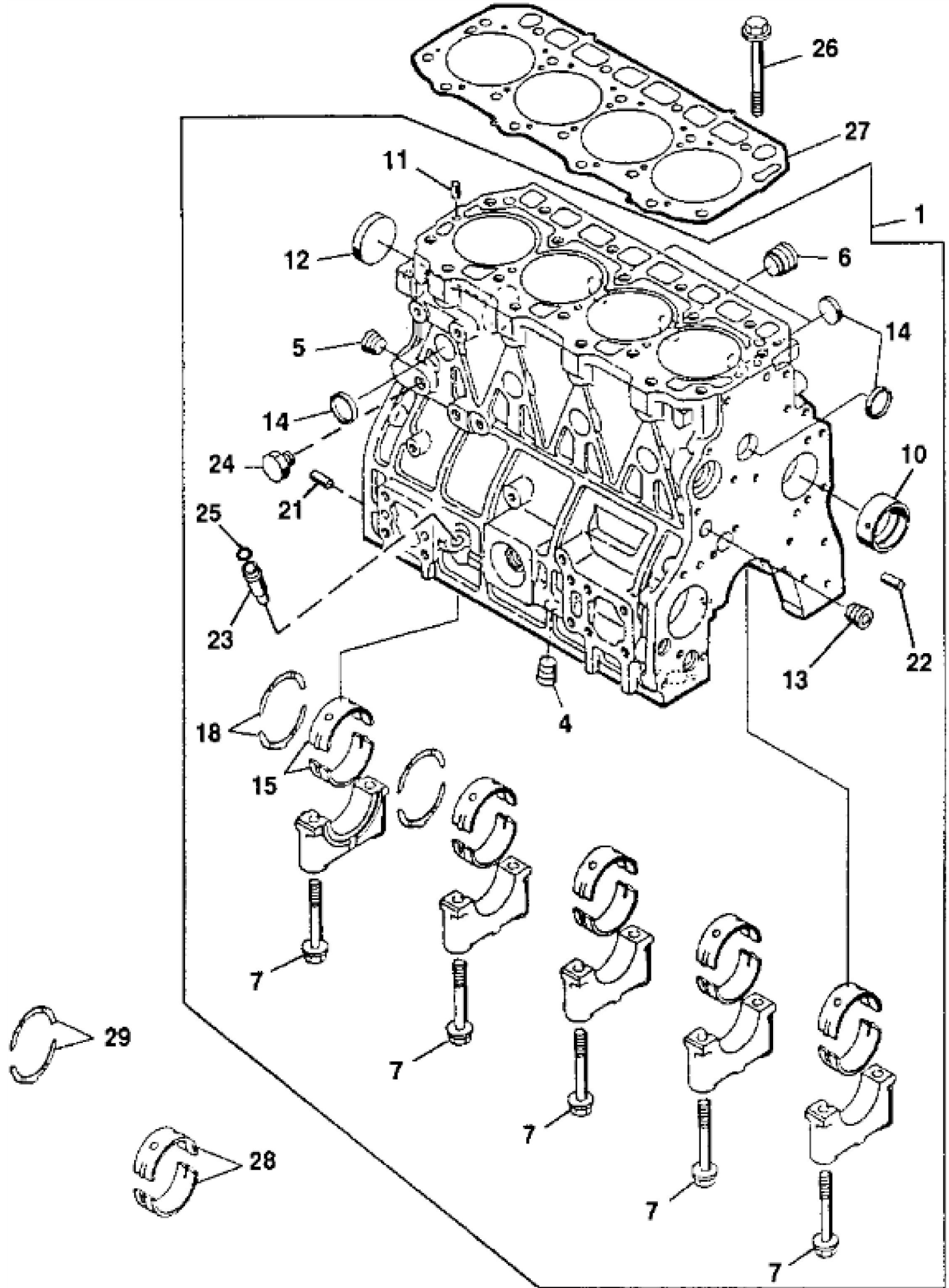
John Deere > Construction And Forestry > EXCAVATOR > 80 - EXCAVATOR > 80 Excavator > 04 ENGINE > 0402 CAMSHAFT AND VALVE ACTUATING MEANS > ST262656 - TIMING GEAR COVER, OIL PUMP, AND OIL FILLER CAP

KEY	PART NO.	PART NAME	QTY	REMARKS
1	AT211867	COVER	1	
3	AT211663	SEAL	1	
4	MIU800476	COVER	1	(SUB FOR M87874)
5	CH13526	PACKING	1	
6	19M7775	SCREW	2	M6 X 16
7	AT211662	COVER	1	
8	AT211904	GEAR CASE	1	
10	M800056	STUD	4	
11	M805710	CAP	1	
12	M805711	PACKING	1	
13	AT212086	HYDRAULIC PUMP	1	(SUB FOR AT211668)
14	AT211670	O-RING	1	
15	AT211671	O-RING	1	
16	19M7865	SCREW	1	M8 X 16
17	19M7866	SCREW	3	M8 X 20
18	19M7868	SCREW	1	M8 X 30
19	19M8317	SCREW	5	M8 X 40, (SUB FOR M89128)
20	CH10567	PACKING	1	
21	19M8317	SCREW	5	M8 X 40, (SUB FOR M89128)
22	CH19101	BOLT	3	
23	19M7803	SCREW	6	M8 X 70
24	19M7803	SCREW	1	M8 X 70
25	M64850	SEALANT	AR	(GASKET SEALANT)
26	M88031	NUT	4	



John Deere > Construction And Forestry > EXCAVATOR >80 - EXCAVATOR >80 Excavator >04 ENGINE >0402 CAMSHAFT AND VALVE ACTUATING MEANS >ST262657 - CAMSHAFT W/ GEAR, FOLLOWERS AND PUSHRODS

KEY	PART NO.	PART NAME	QTY	REMARKS	
1	M801046	CAM FOLLOWER	8		
2	AT211726	PUSH ROD	8		
3	AT211727	CAMSHAFT	1		
6	AT211730	GEAR	1		
7	M801045	SHAFT KEY	1		
8	19M7865	SCREW	2	M8 X 16	
9	AT211754	SHAFT	1		
10	AT211755	GEAR	1		
13	M801050	BUSHING	1		
14	19M7979	SCREW	2	M8 X 55	
15	AT211757	GEAR	1		



TP61371

Thank you so much for reading.  
Please click the “Buy Now!”  
button below to download the  
complete manual.



After you pay.

You can download the most  
perfect and complete manual in  
the world immediately.

Our support email:

[ebooklibonline@outlook.com](mailto:ebooklibonline@outlook.com)