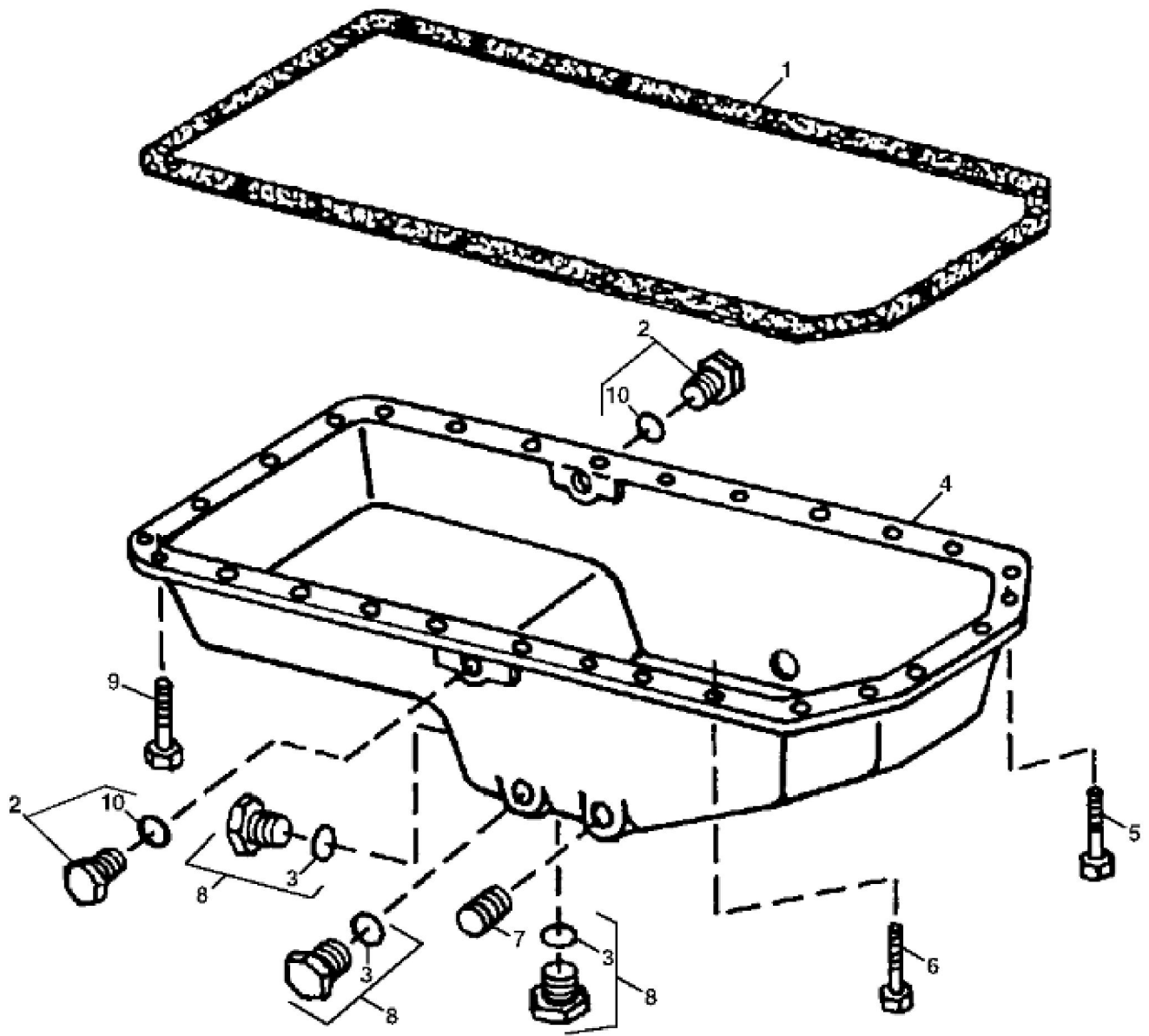
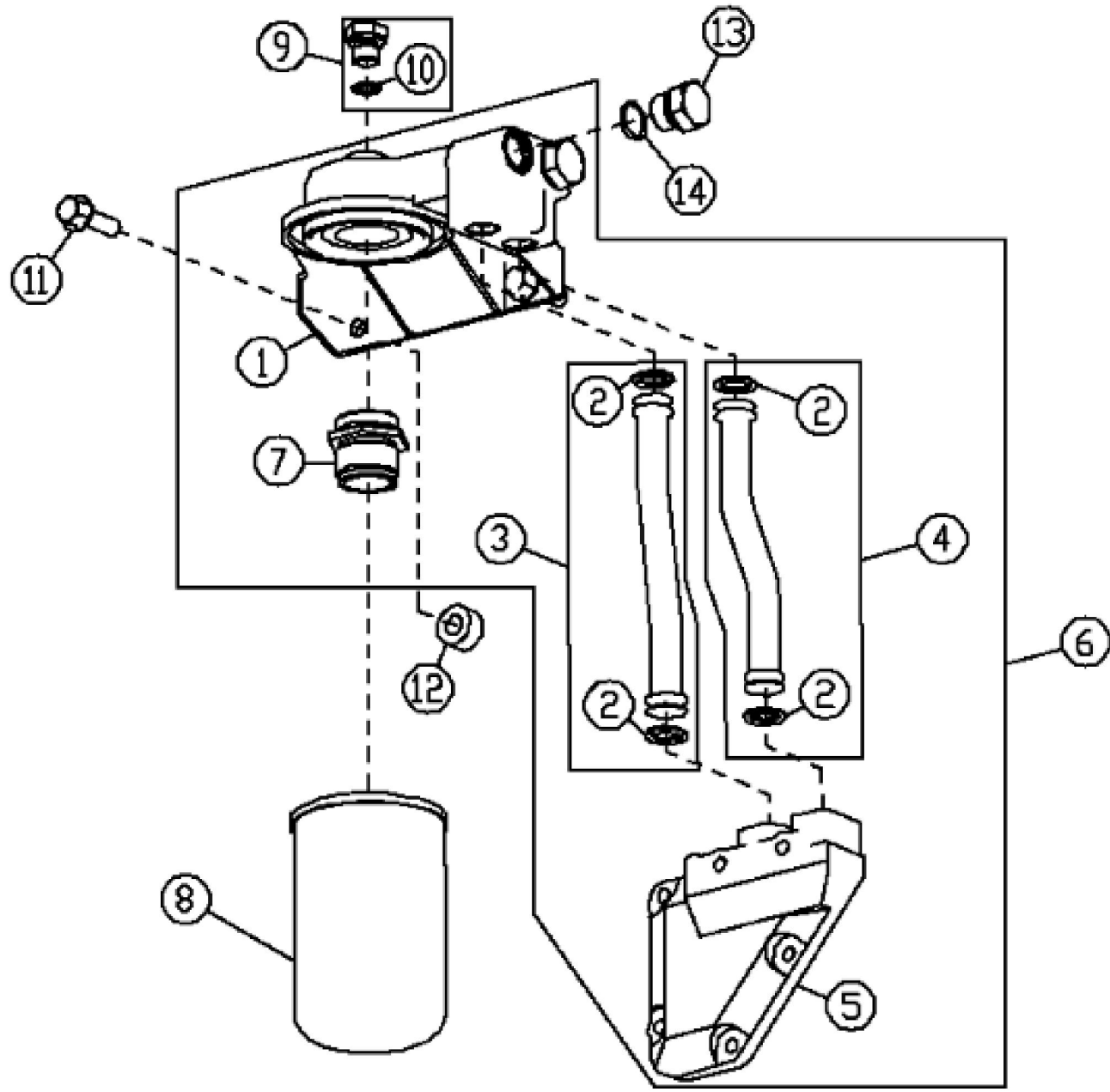


KEY	PART NO.	PART NAME	QTY	Engine Serial No.	450H	550H	650H	REMARKS
1	RE516099	SHORT BLOCK ASSEMBLY	1	____-XXXXXX	X	X	X	(WITH TURBOCHARGER) (WITHOUT FRONT PLATE) (MARKED R115081) (SUB FOR RE65953)(4045TT057, 058, 064, 065, 066, 083, 091)
1	RE520023	SHORT BLOCK ASSEMBLY	1	XXXXXX-____	X	X	X	(WITH TURBOCHARGER) (WITHOUT FRONT PLATE) (MARKED R115081)(4045TT084, 085, 086, 087, 090, HT050)
1	RE516100	SHORT BLOCK ASSEMBLY	1	____-XXXXXX	X			(WITHOUT TURBOCHARGER) (WITHOUT FRONT PLATE) (4045DT053 ONLY), (MARKED R115081) (SUB FOR RE65953)
1	RE520031	SHORT BLOCK ASSEMBLY	1	XXXXXX-____	X			(WITHOUT TURBOCHARGER) (WITHOUT FRONT PLATE) (4045DT057 ONLY), (MARKED R115081) (SUB FOR RE65951)
..	SE500711	COMPLETE BLOCK ASSY REMAN	1		X			(4045DT053, DT057)
..	SE500716	COMPLETE BLOCK ASSY REMAN	1		X	X	X	(4045TT057, TT058, TT064, TT065, TT066, TT083, TT091)
..	SE500717	COMPLETE BLOCK ASSY REMAN	1		X	X	X	(4045TT084, 085, 086, 087, 090, HT050, HT051)
..	SE501286	DIESEL ENGINE REMAN	1				X	(4045TT066)
..	SE501285	DIESEL ENGINE REMAN	1		X			(4045TT057)
..	SE501730	DIESEL ENGINE REMAN	1		X	X		(4045TT090)
..	SE501734	DIESEL ENGINE REMAN	1				X	(4045HT050)
..	SE501735	DIESEL ENGINE REMAN	1				X	(4045HT051)



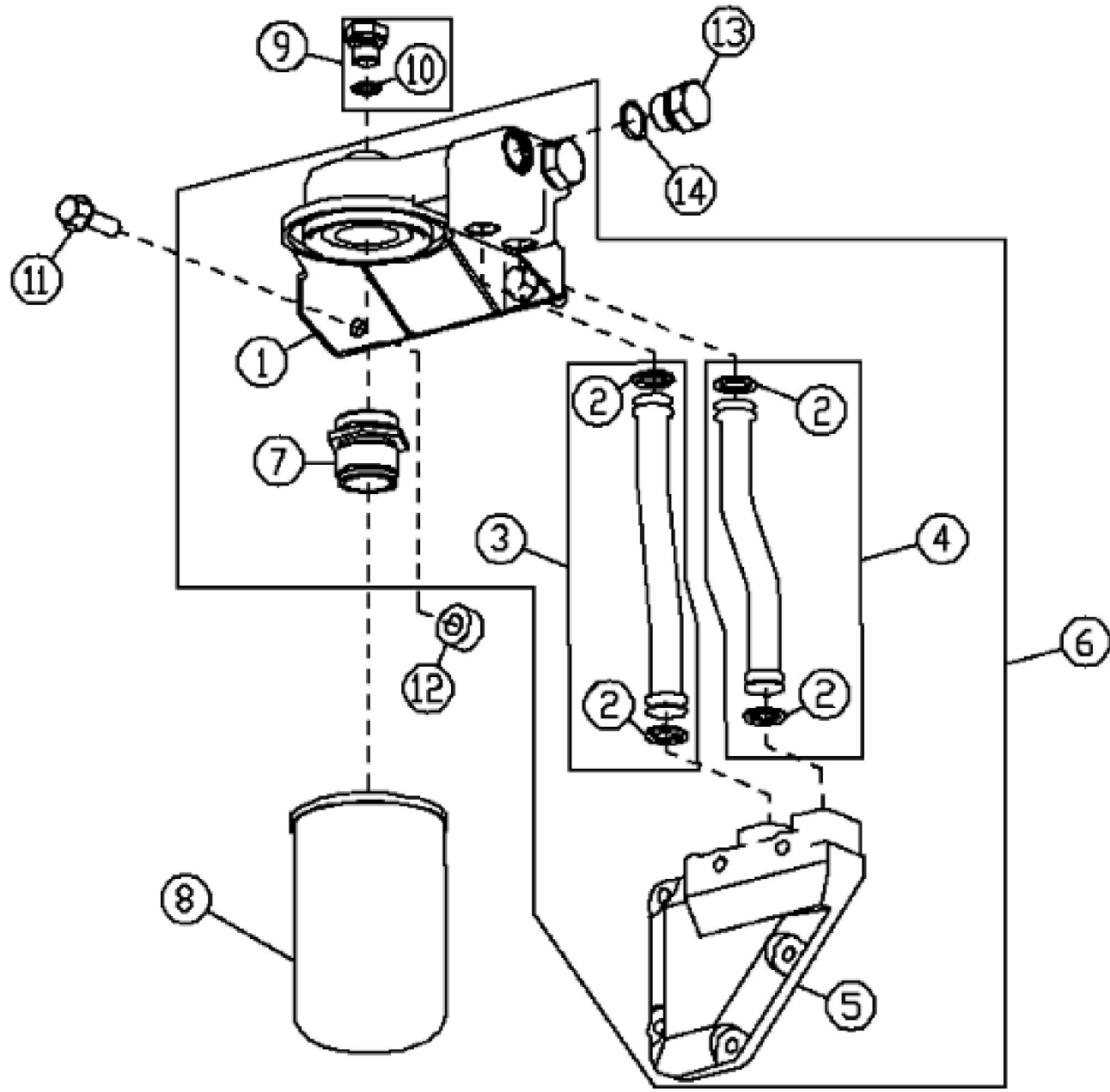
TP80038

KEY	PART NO.	PART NAME	QTY	450H	550H	650H	REMARKS
1	R123353	GASKET	1	X	X	X	(USE WITH R121621)
1	R521493	GASKET	1	X	X	X	(USE WITH RE520147)
2	RE46687	DRAIN PLUG	2	X	X	X	
3	51M7043	O-RING	3	X	X	X	15.300 X 2.200 mm
4	R121621	OIL PAN	1	X	X	X	(ALUMINUM)
4	RE520147	OIL PAN	1	X	X	X	(STAMPED STEEL)
5	19M7868	SCREW	6	X	X	X	M8 X 30, (USE WITH R121621)
5	19M8062	SCREW	6	X	X	X	M8 X 20, (USE WITH RE520147)
6	19M7867	SCREW	18	X	X	X	M8 X 25, (USE WITH R121621)
6	19M8163	BOLT	22	X	X	X	M8 X 16, (USE WITH RE520147)
7	15H690	PIPE PLUG	1	X	X	X	3/4"
8	RE46685	FITTING PLUG	3	X	X	X	
9	19M7799	SCREW	4	X	X	X	M8 X 45, (USE WITH R121621)
9	19M8986	SCREW	2	X	X	X	M8 X 100, (USE WITH RE520147)
10	51M7045	O-RING	2	X	X	X	19.300 X 2.200 mm



John Deere > Construction And Forestry > BULLDOZER > 650H - BULLDOZER > 450H, 550H and 650H Crawler > 04 ENGINE 4 4045 > 0407 ENGINE OILING SYSTEM 4045 4045 > ST264595 - ENGINE OIL FILTER AND FILTER HEAD (450H, 550H) (- 910010)

KEY	PART NO.	PART NAME	QTY	Engine Serial No.	450H	550H	REMARKS
1	RE503727	FILTER HEAD	1		X	X	(MARKED R501439)
2	R56462	O-RING	4	____-XXXXXX	X	X	(USE WITH RE502660, RE506818, RE519742 OR RE502661)
2	R517488	O-RING	2	XXXXXX-____	X	X	(USE WITH RE519742)
2	R518507	O-RING	2	XXXXXX-____	X	X	(USE WITH RE519743)
3	RE502660	TUBE	1	____-850628	X	X	(REAR)
3	RE506818	TUBE	1	850629-XXXXXX	X	X	(SUB RE519742)
3	RE519742	TUBE	1	XXXXXX-____	X	X	
4	RE502661	TUBE	1	____-850628	X	X	(FRONT)
4	RE506819	TUBE	1	850629-XXXXXX	X	X	(SUB RE519743)
4	RE519743	TUBE	1	XXXXXX-____	X	X	
5	R501436	ADAPTER	1		X	X	
6	RE509313	FILTER KIT	1		X	X	(SUB RE503727, RE506818, RE506819, R501436) (SUB FOR RE504472)
7	ADAPTER FITTING	1		X	X	(R123591 NLA), (ORDER RE503727)
8	RE59754	OIL FILTER	1		X	X	1 1/2"-16 UN28
9	RE46716	FITTING	1		X	X	
9	RE52242	DRAIN PLUG	1	857251-____	X	X	
10	51M7042	O-RING	1		X	X	13.300 X 2.200 mm
11	19M7835	SCREW	2		X	X	M10 X 35
12	R114358	SPACER	1		X	X	
13	RE46687	DRAIN PLUG	2		X	X	
14	51M7045	O-RING	2		X	X	19.300 X 2.200 mm



Thank you so much for reading.
Please click the “Buy Now!”
button below to download the
complete manual.



After you pay.

You can download the most
perfect and complete manual in
the world immediately.

Our support email:

ebooklibonline@outlook.com